

PART NAME: KNOB

SCALE: 1:1

DATE: 12/3/93

DR. BY HD


 DESIGNERS & MANUFACTURERS
 OF KNOBS, HANDLES, CASES &
 CUSTOM PLASTIC COMPONENTS

P/N 3000PD

 THIS DRAWING IS THE PROPERTY OF DAVIES MOLDING COMPANY, IS SUBMITTED SOLELY AS A DESIGN OR ENGINEERING PROJECT.
 WE ACCEPT NO RESPONSIBILITY WHATSOEVER FOR THE PRACTICAL APPLICATION OF THE PIECES MADE TO THIS DESIGN.
M^{NO.} 3000

Ⓐ

CAVITY 3000

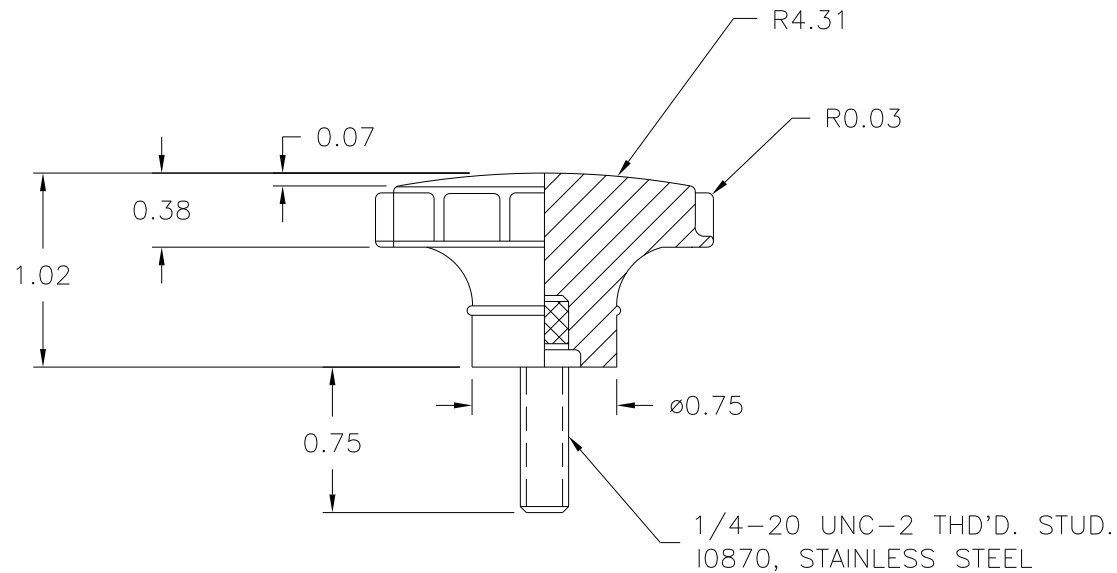
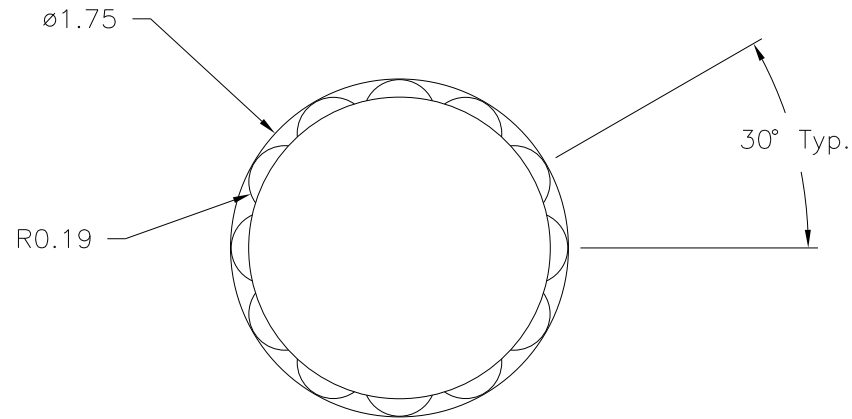
Ⓑ

PLUNGER 3000

SHIM 1/4

PIN 3000-H

INSERT 10870


 MATERIAL: #4311 PLENCO PHENOLIC (B41)
 COLOR: BLACK

TOLERANCES: UNLESS OTHERWISE SPECIFIED		DO NOT SCALE DRAWING					
DECIMALS:	X.XXX ± .005 X.XX ± .015	MM:	X.XX ± 0.15MM X.X ± 0.4MM	B	SHIM WAS NONE	HD	1/19/94
FRACTIONS	± 1/64	ANG.	± 1°	A	P/N WAS 3000-MA	HD	1/3/94
CHANGES							