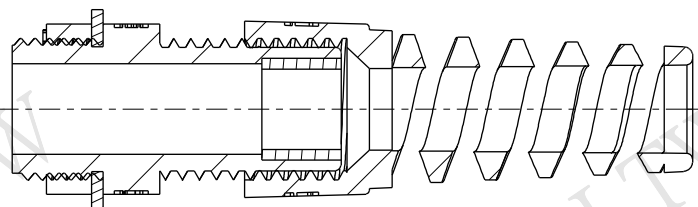
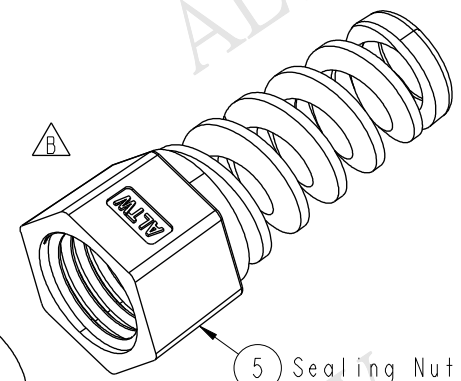
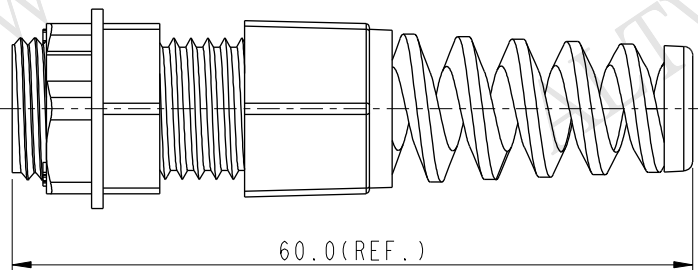
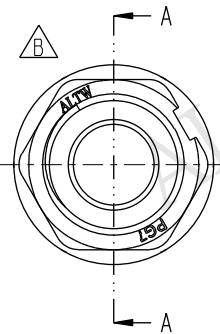
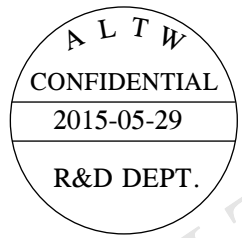
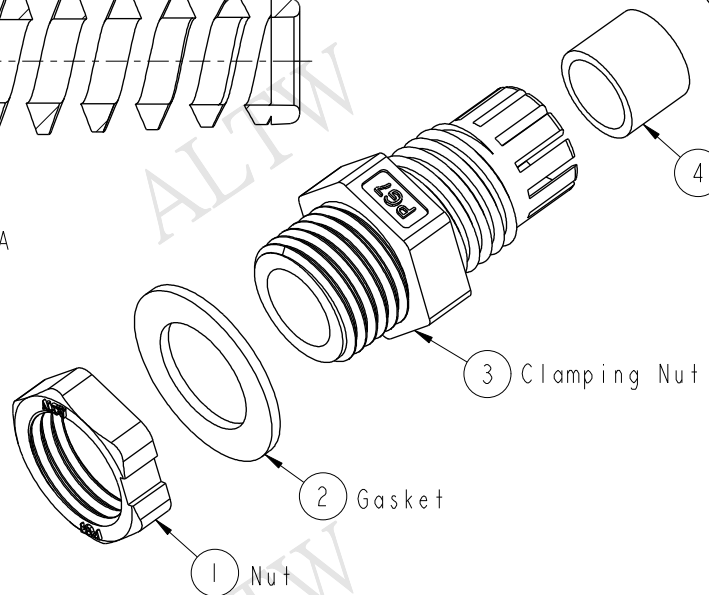


| | | | | |
|------|------------|------------|------|-------------|
| REV. | ECN NO. | DATE | SIGN | DESCRIPTION |
| B | LEN1570078 | 2015/05/29 | Ruru | Change Logo |
| | | | | |



Section A-A



- Notes:
- * Waterproof Rate: IP68
 - * Screw Nut: Nylon, Gray
 - * Clamp Ring: Nylon, Gray
 - * Sealing Nut: Nylon, Gray
 - * Gasket: EPDM, Black
 - * Seals: EPDM, Black
 - * Panel Thickness: 3mm max.
 - * Cable Range: $\varnothing 4.5\text{mm} \sim \varnothing 6.5\text{mm}$

| | | | | | | | | |
|---|---|-----------------------------------|----------------|---------------------|------------------------|-----------------------|---------------------|--------------------|
| A | UNIT: mm | TITLE PG 7 CABLE GLAND WITH SR | | | ITEM NO. CSG-07G004 | | DRAWN BY Ruru | DATE 2015-05-29 |
| | TOLERANCE .X ±0.25 .XX ±0.1 .XXX ±0.05 ANGLES ±1° | SCALE 3:2 | SIZE A4 | SHEET 1 | OF 1 | DWG NO. CSG-07G004 | CHECKED BY Rita | DATE 2015-05-29 |
| | REV. B | | WC-REV. A.1 | QC: Inspection item | | CUSTOMER ALTW | APPROVED BY Lion | DATE 2015-05-29 |
| | Amphenol LTW 安費諾亮泰企業股份有限公司 | | | | FMW10702-01-02A1 | | | |

THIS DOCUMENT IS SUBJECT TO CHANGE WITHOUT NOTICE. IT IS CONFIDENTIAL AND A PROPERTY OF AMPHENOL LTW. DISCLOSURE TO THIRD PARTY HAS TO BE AUTHORIZED BY AMPHENOL LTW.