

**PLEASE CHECK WWW.MOLEX.COM FOR LATEST PART INFORMATION**

**Part Number:** [0701070077](#)  
**Status:** **Active**  
**Overview:** [SL™ Modular Connectors](#)  
**Description:** SL™ Wire-to-Wire Crimp Housing, Single Row, Version C, without Mounting Ears, with Skirt, 8 Circuits

**Documents:**

[3D Model](#) [Product Specification PS-70400 \(PDF\)](#)  
[Drawing \(PDF\)](#) [RoHS Certificate of Compliance \(PDF\)](#)

**Agency Certification**

CSA LR19980  
 UL E29179

**General**

Product Family Crimp Housings  
 Series [70107](#)  
 Application Signal, Wire-to-Wire  
 Comments Version C with Skirt  
 Overview [SL™ Modular Connectors](#)  
 Product Name SL™  
 UPC 800755031638

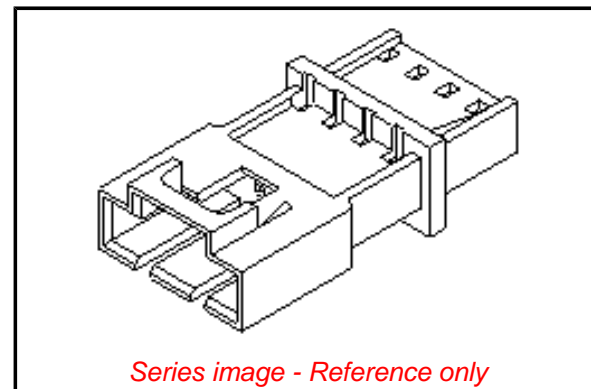
**Physical**

Circuits (maximum) 8  
 Color - Resin Black  
 Flammability 94V-0  
 Gender Male  
 Glow-Wire Compliant No  
 Lock to Mating Part Yes  
 Material - Resin Polyester  
 Number of Rows 1  
 Packaging Type Bag  
 Panel Mount No  
 Pitch - Mating Interface 2.54mm  
 Polarized to Mating Part Yes  
 Stackable No  
 Temperature Range - Operating -40°C to +105°C

**Material Info**

**Reference - Drawing Numbers**

Product Specification PS-70400  
 Sales Drawing SD-70107-0071-0094



**EU ELV**

**Not Reviewed**

**EU RoHS**

**Not Reviewed**

**REACH SVHC**

Not Reviewed

**Halogen-Free**

**Status**

**Not Reviewed**

**Need more information on product environmental compliance?**

Email [productcompliance@molex.com](mailto:productcompliance@molex.com)  
 Please visit the [Contact Us](#) section for any non-product compliance questions.

China ROHS

Not Reviewed

ELV

Not Reviewed

**Search Parts in this Series**

[70107](#) Series

**Mates With**

[70066](#) SL™ Crimp Housing A, G and D (Notes: Version C and H will not mate to the 70107 housing series), [70400](#) SL™ Insulation Displacement Connector Assembly, Version G Housing, [70430](#) SL™ Single Row Receptacle, Version G

**Use With**

[70021](#) SL™ Crimp Terminal