



Main

| | |
|---|--|
| Range of product | OsiSense XM |
| Product or component type | Electromechanical pressure sensor |
| Pressure sensor type | Electromechanical pressure sensor |
| Device short name | XMLA |
| Pressure sensor size | 14.5 psi (1 bar) |
| Controlled fluid | Air (32...320 °F (0...160 °C)) Hydraulic oil (32...320 °F (0...160 °C)) |
| Fluid connection type | G 1/4 (female) conforming to ISO 228 |
| Electrical connection | Screw-clamps terminals 1 x 0.5...2 x 2.5 mm ² 1 connector Pg 13 |
| AWG gauge | AWG 20...AWG 14 |
| Cable entry | Cable gland 9...13 mm |
| Contacts type and composition | 1 C/O |
| Product specific application | - |
| Pressure switch type of operation | Detection of 1 single threshold |
| Electrical circuit type | Control circuit |
| Scale type | Fixed differential |
| Local display | With |
| Adjustable range of switching point on rising pressure | 0.44...14.5 psi (0.03...1 bar) |
| Adjustable range of switching point on falling pressure | 0.15...13.92 psi (0.01...0.96 bar) |
| Maximum permissible accidental pressure | 32.63 psi (2.25 bar) |
| Destruction pressure | 65.27 psi (4.5 bar) |
| Pressure actuator | Diaphragm |
| Materials in contact with fluid | FPM, FKM Steel 304L stainless steel |
| Enclosure material | Zinc alloy |
| [In] rated current | 3 A, B300, AC-15 (U _e = 120 V) conforming to EN/IEC 60947-5-1 1.5 A, B300, AC-15 (U _e = 240 V) conforming to EN/IEC 60947-5-1 0.1 A, R300, DC-13 (U _e = 250 V) conforming to EN/IEC 60947-5-1 |

Complementary

| | |
|---|---|
| Natural differential at low setting | 0.29 psi (0.02 bar) (+/- 0.01 bar) |
| Natural differential at high setting | 0.58 psi (0.04 bar) (+/- 0.01 bar) |
| Maximum permissible pressure - per cycle | 18.13 psi (1.25 bar) |
| Terminal block type | 4 terminals |
| Operating rate | 120 cyc/mn |
| Repeat accuracy | < 2 % |
| [U _i] rated insulation voltage | 500 V conforming to EN/IEC 60947-1 300 V conforming to UL 508 300 V conforming to CSA C22.2 No 14 |
| [U _{imp}] rated impulse withstand voltage | 6 kV conforming to EN/IEC 60947-1 |
| Auxiliary contacts operation | Snap action |
| Contacts material | Silver contacts |
| Resistance across terminals | < 25 mOhm conforming to IEC 255-7 category 3 < 25 mOhm conforming to NF C 93-050 method A |
| Short-circuit protection | 10 A cartridge fuse type qG (gl) |

The information provided in this documentation contains general descriptions and/or technical characteristics of the products contained herein. This documentation is not intended as a substitute for and is not to be used for determining suitability or reliability of these products for specific user applications. It is the duty of any such user or integrator to perform the appropriate and complete risk analysis, evaluation and testing of the products with respect to the relevant specific application or use thereof. Neither Schneider Electric Industries SAS nor any of its affiliates or subsidiaries shall be responsible or liable for misuse of the information contained herein.

| | |
|-----------------------|------------------------|
| Mechanical durability | 4000000 cycles |
| Setting | External |
| Height | 6.38 in (162 mm) |
| Depth | 4.33 in (110 mm) |
| Width | 4.33 in (110 mm) |
| Product weight | 5.63 lb(US) (2.555 kg) |

Environment

| | |
|---------------------------------------|--|
| standards | CE EN/IEC 60947-5-1 UL 508 CSA C22.2 No 14 |
| product certifications | BV CCC CSA LROS (Lloyds register of shipping) UL EAC |
| protective treatment | TC (standard version) |
| ambient air temperature for operation | -13...158 °F (-25...70 °C) |
| ambient air temperature for storage | -40...158 °F (-40...70 °C) |
| operating position | Any position |
| vibration resistance | 2 gn (f = 30...500 Hz) conforming to IEC 60068-2-6 |
| shock resistance | 30 gn conforming to IEC 60068-2-27 |
| electrical shock protection class | Class I conforming to IEC 1140 Class I conforming to IEC 536 Class I conforming to NF C 20-030 |
| IP degree of protection | IP66 conforming to EN/IEC 60529 |

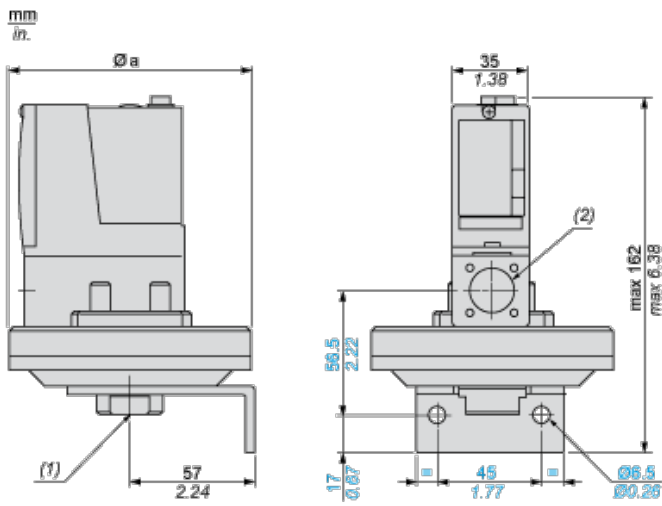
Offer Sustainability

| | |
|--|--|
| Not Green Premium product | Not Green Premium product |
| Compliant - since 0928 - Schneider Electric declaration of conformity | Compliant - since 0928 - Schneider Electric declaration of conformity |
| Reference not containing SVHC above the threshold | Reference not containing SVHC above the threshold |
| Need no specific recycling operations | Need no specific recycling operations |
| WARNING: This product can expose you to chemicals including: | WARNING: This product can expose you to chemicals including: |
| Diisononyl phthalate (DINP), which is known to the State of California to cause cancer, and | Diisononyl phthalate (DINP), which is known to the State of California to cause cancer, and |
| Di-isodecyl phthalate (DIDP), which is known to the State of California to cause birth defects or other reproductive harm. | Di-isodecyl phthalate (DIDP), which is known to the State of California to cause birth defects or other reproductive harm. |
| For more information go to www.p65warnings.ca.gov | For more information go to www.p65warnings.ca.gov |

Contractual warranty

| | |
|-----------------|-----------|
| Warranty period | 18 months |
|-----------------|-----------|

Dimensions



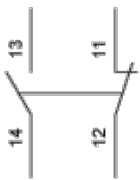
Ø a 110 mm / 4.33 in.

=

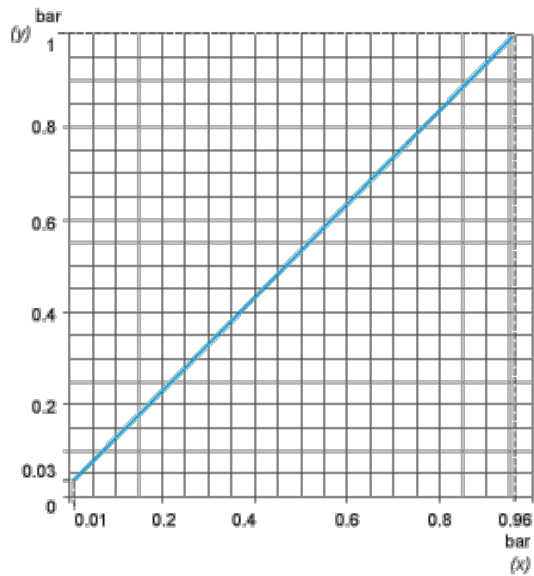
- (1) 1 fluid entry, tapped G1/4 (BSP female)
- (2) 1 electrical connections entry, tapped Pg 13.5

Wiring Diagram

Terminal Model



Operating Curves



- (y) Rising pressure
- (x) Falling pressure



(y) Pressure

(x) Time

(1) Adjustable value

(2) Non adjustable value

PH : High point

PB : Below point