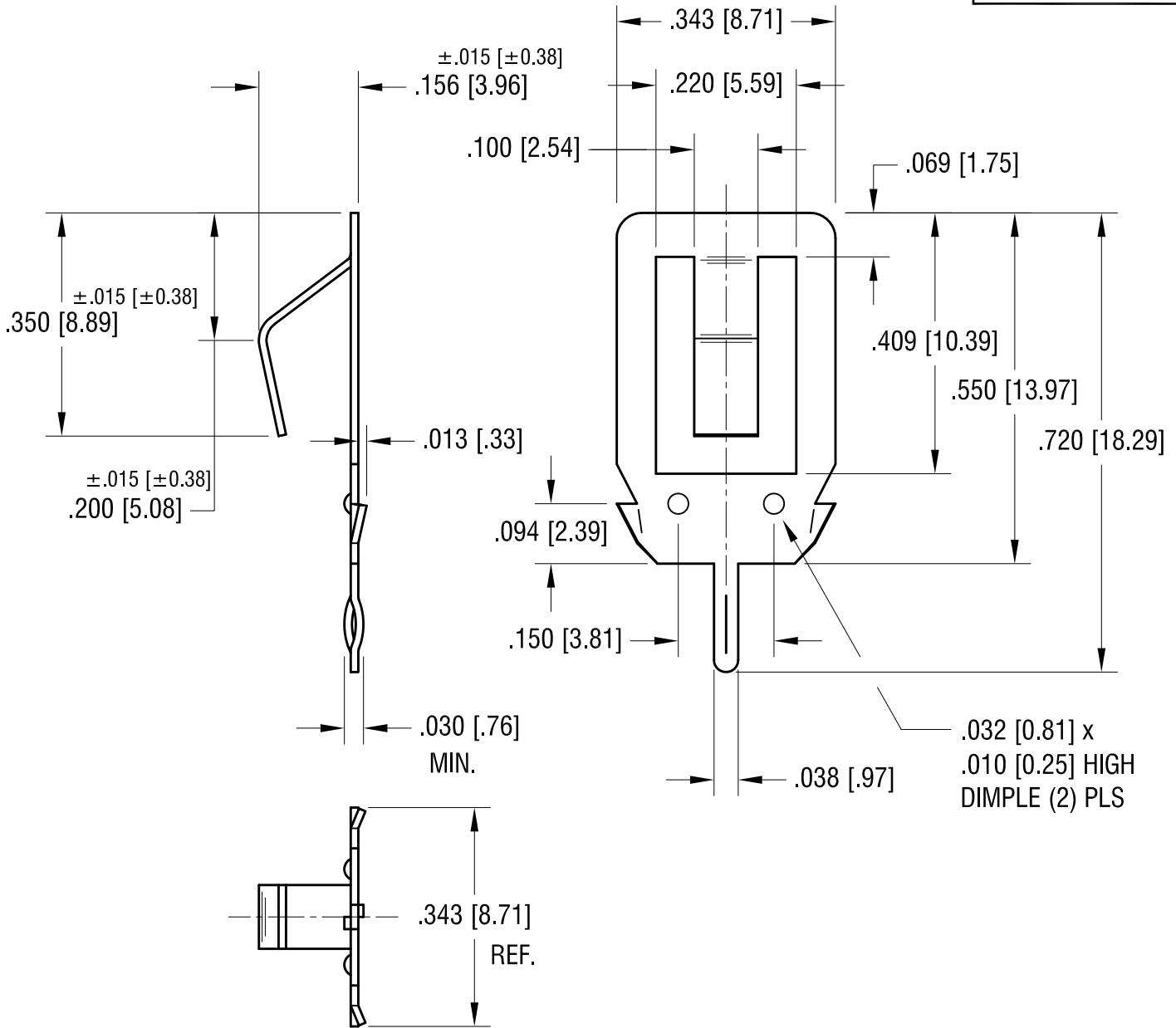


THIS DOCUMENT IS THE PROPERTY OF
KEYSTONE ELECTRONICS CORP. AND
SHALL NOT BE REPRODUCED, DISTRIBUTED
OR USED AS A BASIS FOR MANUFACTURE
WITHOUT PRIOR WRITTEN PERMISSION
FROM KEYSTONE ELECTRONICS CORP.



8.27.09	CHANGE AS PER ECN 09-121	F
8.27.04	CHANGE AS PER ECN 04-076	E
DATE	DESCRIPTION	REV.

KEYSTONE ELECTRONICS CORP.			
ASTORIA, N.Y. 11105-2017			
PART NAME			
PC BATTERY CONTACT			
MATERIAL			
.012 [.30] TH'K STAINLESS STEEL, FULL HARD			
FINISH		DRN BY	DATE
TIN NICKEL PLATE		BOONE	5.17.93
		APP'D	SCALE
		LN	4X
TOLERANCES	INCH [MM]	CODE	DWG NO.
DECIMAL	$\pm .005$ [± 0.15]	C	108-2
ANGULAR	$\pm 1^\circ$		
UNLESS OTHERWISE SPECIFIED			