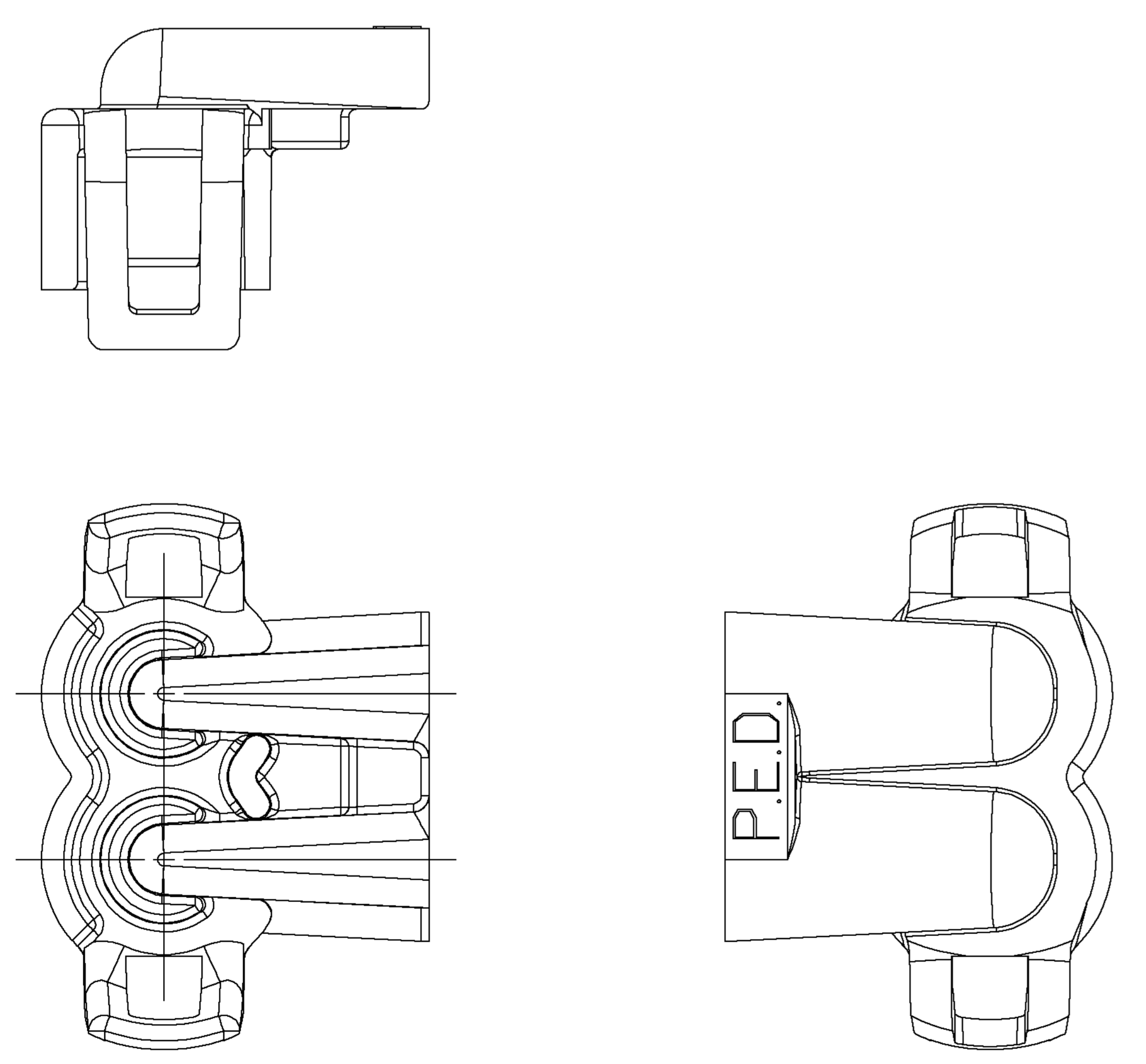
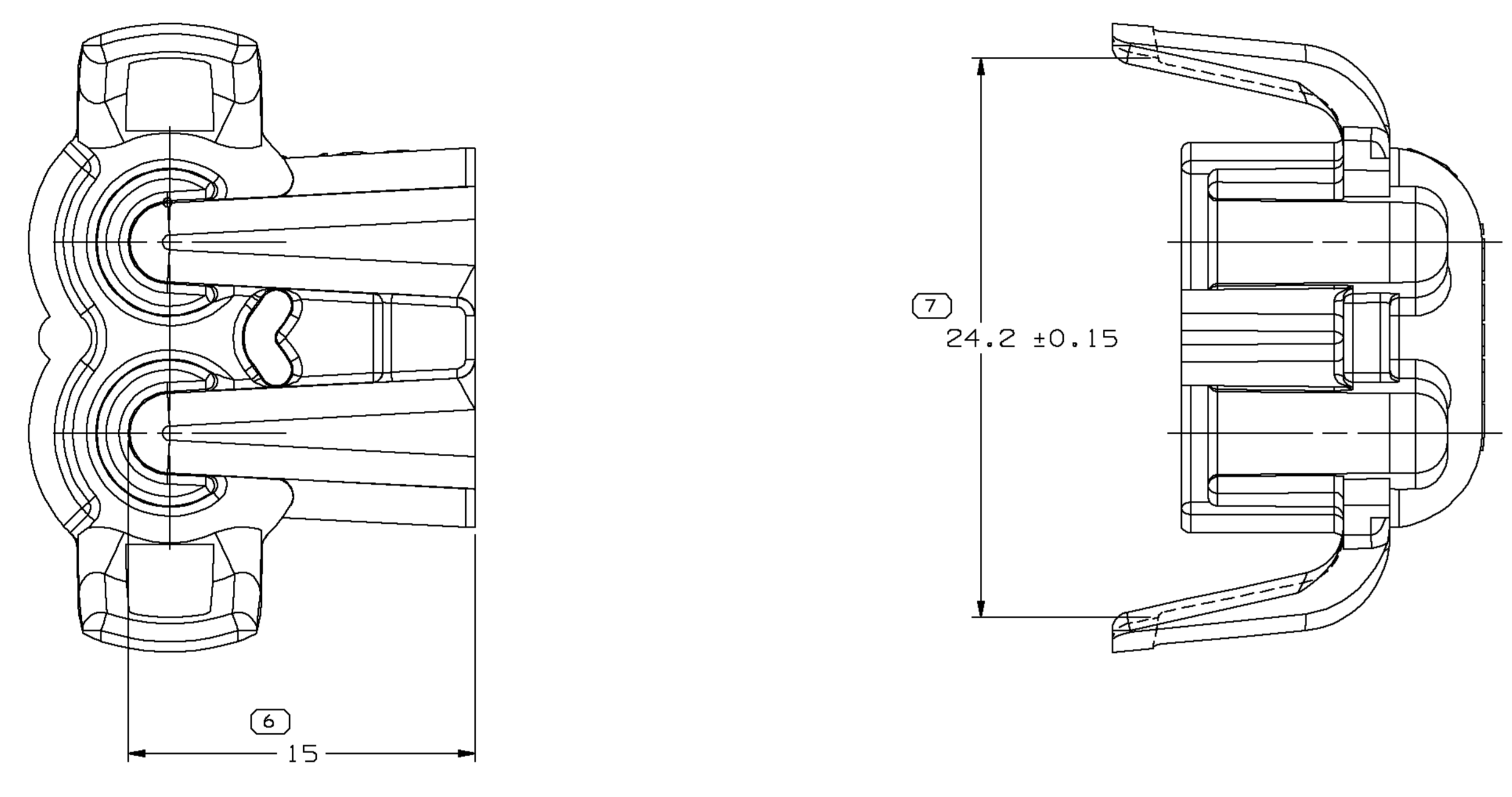
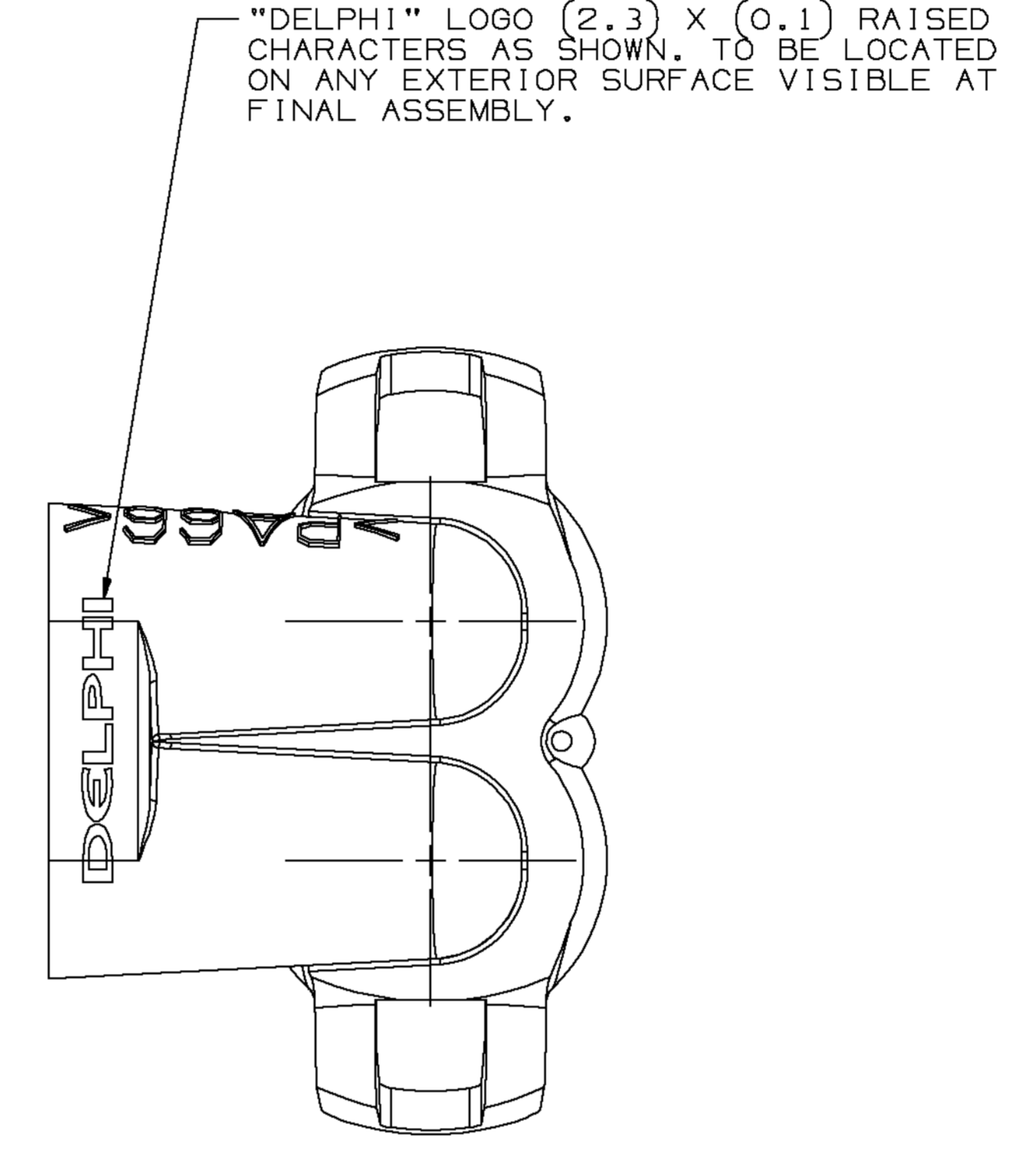
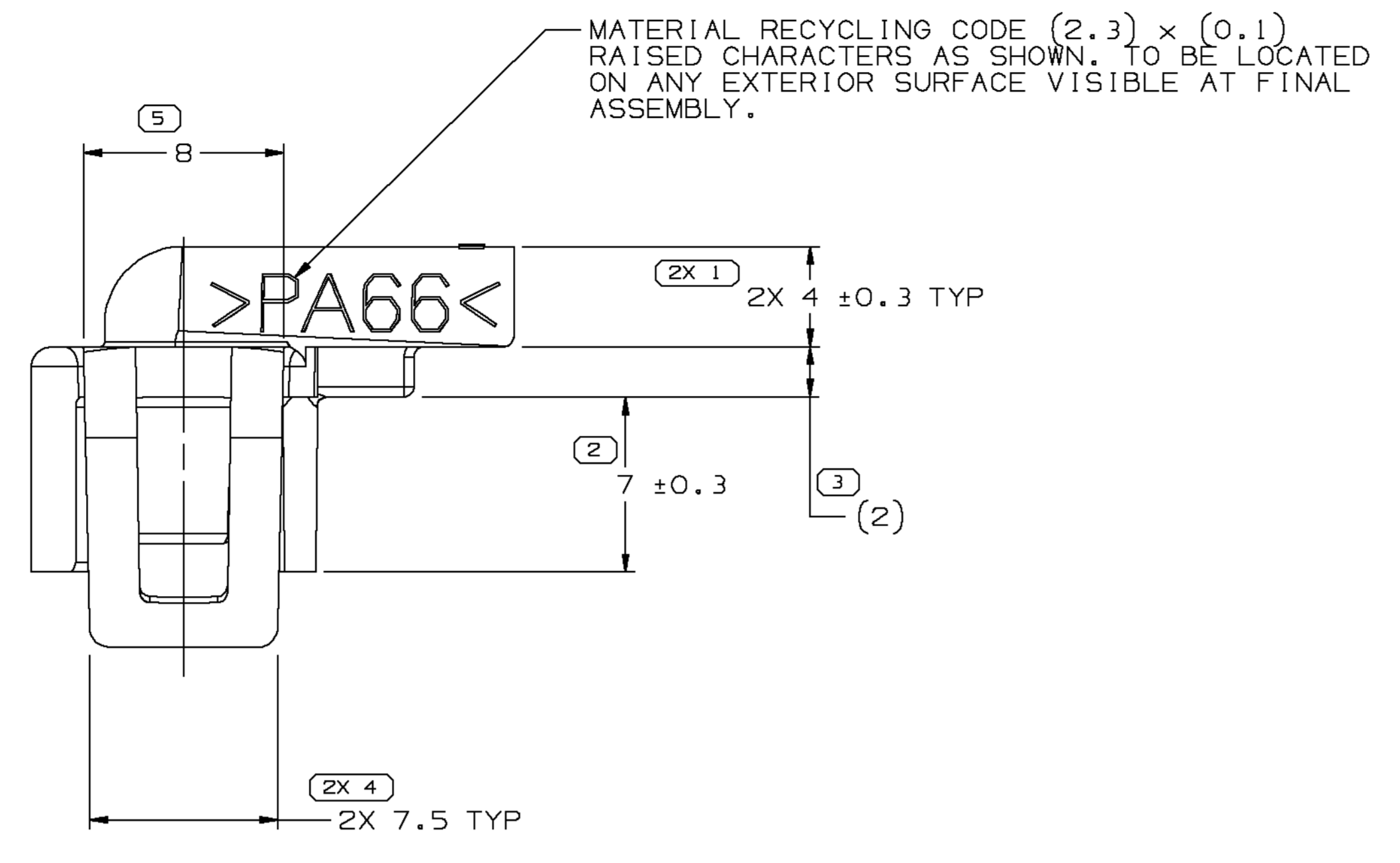


SYMBOL DEFINITION		MISSING SYMBOLS	
A DIMENSION WITHOUT AN INSPECTION REPORT SYMBOL DOES NOT REQUIRE INSPECTION. IT MAY BE CONTROLLED ON THE INDIVIDUAL COMPONENT DRAWING.	TOTAL NO OF INSPECTIONS REQUIRED	9	NO MISSING SYMBOL NUMBER
	LAST NO. USED	7	

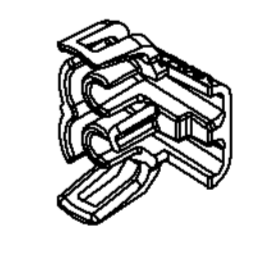
DWG STATUS				REVISION HISTORY			AUTH	DR	CK	APVD
DATE	STG	REV	CHK	N/P	ZONE					
30AU01	R	003	-	-		ADDED MATERIAL RECYCLING CODE, ADDED OPT CONSTRUCTION & REVISED MAT'L SPEC	213992	EOV	JH	
080C01	R	003	-	AA		ADDED DIM & REVISED OPTIONAL CONSTRUCTION	215558	EOV	RC	



OPTIONAL CONSTRUCTION

NOTES

- UNLESS OTHERWISE SPECIFIED AND/OR INDICATED: DIMENSIONS ARE TO FACE OF VIEW SHOWN AND AUTOMATICALLY ROUNDED BY COMPUTER FOR INSPECTION (SEE MATH MODEL FOR PRECISE DIMENSIONS). FOR ALL OTHER DIMENSIONS NOT SHOWN BUT REQUIRED FOR TOOL BUILD, SEE MATH MODEL FOR PRECISE TOOL PATH DATA.
- MATING COMPONENTS OR EQUIVALENT: CONNECTORS 120591B1 & 120591B3
- MAX CALBE DIAMATER THAT WILL FIT PART IS  $\phi 3.1$ .



<b>DELPHI</b> Automotive Systems			
MATERIAL SPEC M359200B			
SUBSTANCES OF CONCERN AND RECYCLED CONTENT PER DELPHI-A 10949001			
PART DRAWING			DISTR CODE D
CODE NUMBER 6901	DWG DATE 15MY90	SCALE 5:1	
OC SPEC	STYLE	VOLUME cm <sup>3</sup>	
PART GEOMETRY 3D SOLID	UNLESS OTHERWISE SPECIFIED: THIS DOCUMENT IS IN ACCORDANCE WITH ASME Y14.5M - 1994 AS AMENDED BY THE GM GLOBAL DIMENSIONING AND TOLERANCING ADDENDUM - 1997. ALL GEOMETRIC TOLERANCES AND RELATED DATUMS APPLY RFS. RULE #1 (PERFECT FORM AT MMC) DOES NOT APPLY WHEN RELATIONSHIP BETWEEN FEATURES IS ESTABLISHED BY ORIENTATION OR LOCATION TOLERANCES. SEPARATE POSITION CALL-OUTS MAY BE GAGED SEPARATELY REGARDLESS OF DATUM REFERENCES.		
UG	CHANGE RESTRICTED NO MANUAL CHANGES		
COPY OF MATH DATA DO NOT SCALE	REFERENCE 120591B5	DR APVD1 E. VAZQUEZ APVD2 E. VAZQUEZ APVD3 J. HORTUCHI APVD4 APVD5	DATE 30AU01 30AU01 12SE01
METRIC UNLESS OTHERWISE SPECIFIED, ALL DIMENSIONS ARE IN MILLIMETERS			
THIRD ANGLE PROJECTION	DRAWING NAME TPA M/P 280		

DIMENSIONAL RANGE (MM)		CHART E1	
FROM	TO	±	±
0	> 20	±0.15	±0.2
> 20	> 30	±0.2	±0.3
> 30	> 70	±0.3	±0.4
> 70	> 100	±0.4	±0.5
> 100	> 150	±0.5	±0.6
> 150	> 200	±0.6	±0.8
> 200	> 250	±0.8	±1.0
> 250	> 300	±1.0	±1.2
> 300	> 400	±1.2	±1.5

SHEET NUMBER 1 OF 1	DRAWING NUMBER 12110332	DWG STATUS R 003 AA	SIZE A0
------------------------	----------------------------	------------------------	------------