

DRAWING MADE IN AMERICAN PROJECTION

© 1970 BY AMP INCORPORATED. ALL RIGHTS RESERVED. AMP PRODUCTS COVERED BY PATENTS AND/OR PATENTS PENDING.

Reproducing for publication without permission of Amp Incorporated is prohibited.

3

204938-2

- 1. SAME AS -1 EXCEPT:
- 2. PLATED GOLD PER MIL-G-45204 OVER NICKEL PER QQ-N-290

204938-3

- 1. AS SHOWN
- 1. SAME AS -3 EXCEPT
- 2. MOUNTED ON MYLAR TAPE

OBSOLETE

204938-4

- 1. SAME AS -3 EXCEPT:
- 2. GRAPHITE COATED.
- 3. NO COLOR BANDS.

OBSOLETE

- 1. SAME AS -3 EXCEPT:
- 2. COLOR CODE TO BE SINGLE GREEN BAND.

2

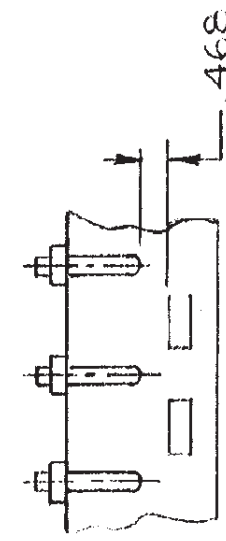
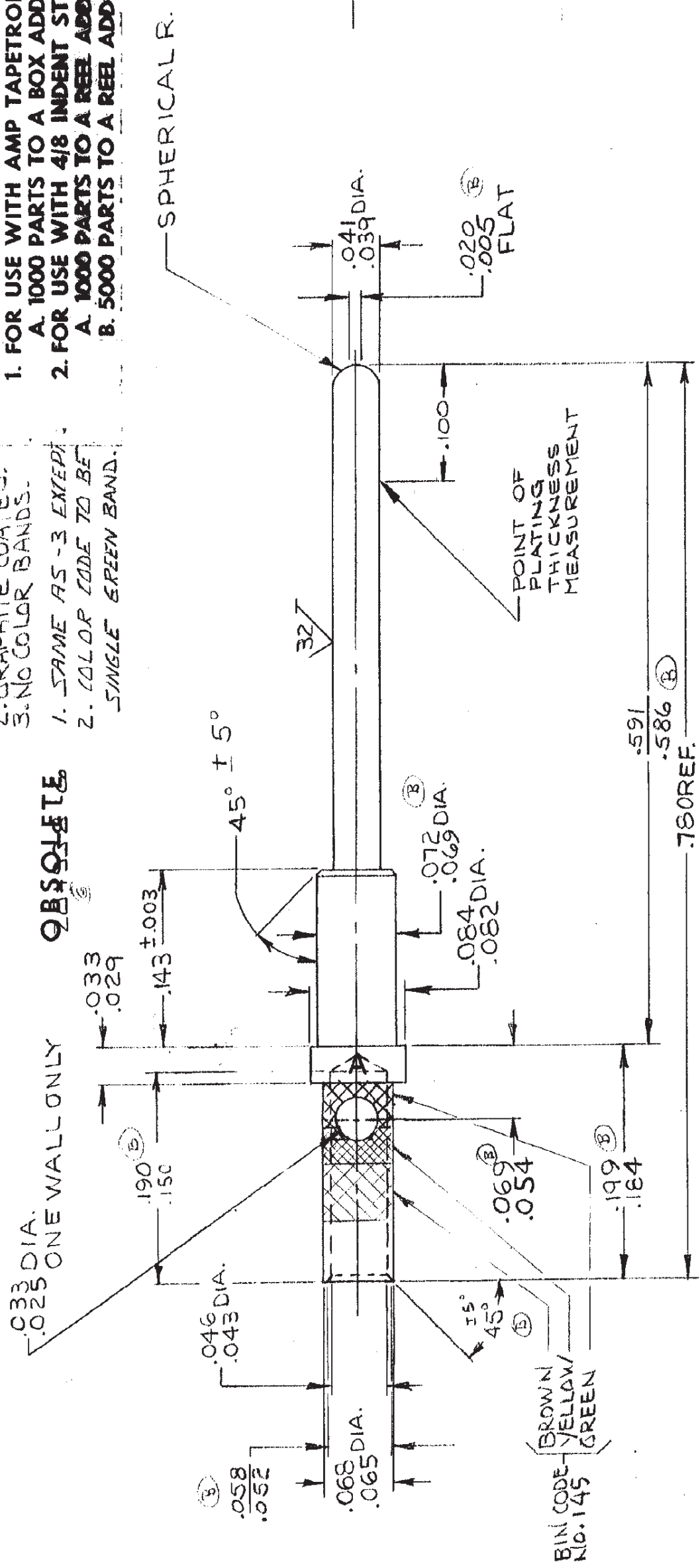
REVISIONS

ZONE	LTR	DESCRIPTION	DATE	APPROVED
F	REV./ECN G341		8-15-79	SAU
G	ADDED - 5 ECH G-737		2-2-80	AMM
H	REVISED PER ECN - 782		12-1-80	TKH O/S
J	OBSOLETE - 5 8-6 PER ECN R-2556		12-23-80	MPH EGT
K	ECO-14-012828		15SEP14	CT

WHEN ORDERING CONTACT ON TAPE, ORDER BY THE TAPE NUMBER PLUS THE PACKAGING CODE AS FOLLOWS:

- 1. FOR USE WITH AMP TAPETRONIC, PNEUMATIC TOOL - A. 1000 PARTS TO A BOX ADD PACKAGING CODE: IMBOX
- 2. FOR USE WITH 4/8 INDENT STRIPPER CRIMPER - A. 1000 PARTS TO A REEL ADD PACKAGING CODE: 1MREEL B. 5000 PARTS TO A REEL ADD PACKAGING CODE: 5MREEL

1



TAPE MTD. ASSY. (-4 ONLY)

4

3

2

1

UNLESS OTHERWISE SPECIFIED DIMENSIONS ARE IN INCHES TOLERANCES ON DECIMALS ± .005 ANGLES 2°		CONTRACT NO. 7-2070	
MATERIAL LEADED COPPER		DR. L. Morington	
FINISH: GOLD		APPD. 9.24.70	
PER MIL-G-45204		APPD. 9.24.70	
OVER NICKEL		APPD. 9.24.70	
PER QQ-N-290		APPD. 9.24.70	
DESIGN APPD. 9.24.70		DESIGN APPD. 9.24.70	
OTHER APPD.		OTHER APPD.	
AMP INCORPORATED HARRISBURG, PENNSYLVANIA		AMP INCORPORATED HARRISBURG, PENNSYLVANIA	
NAME SUB 20 CONTACT PIN TYPE XVII - RM		NAME SUB 20 CONTACT PIN TYPE XVII - RM	
SIZE B	CODE IDENT NO. 00779	NUMBER 204938	
SCALE 10-1	SHEET 1 OF 1		

2

3

4

AMP 1470-1 REV (7/68)

CUSTOMER DRAWING