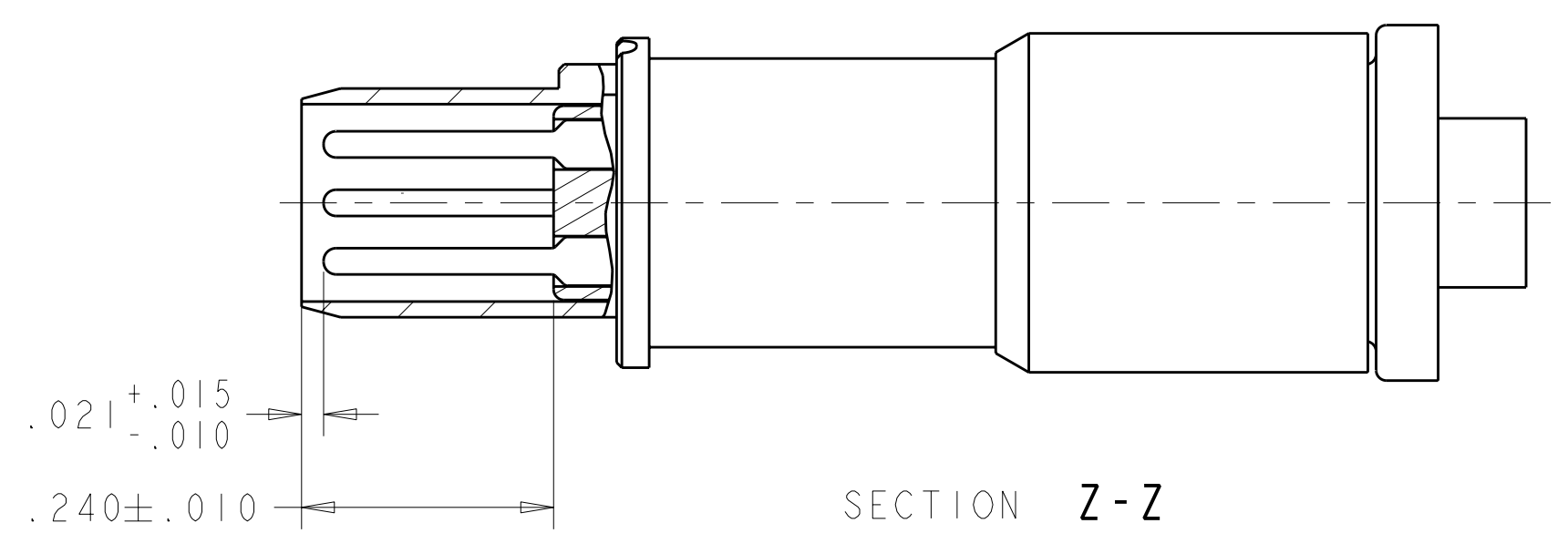
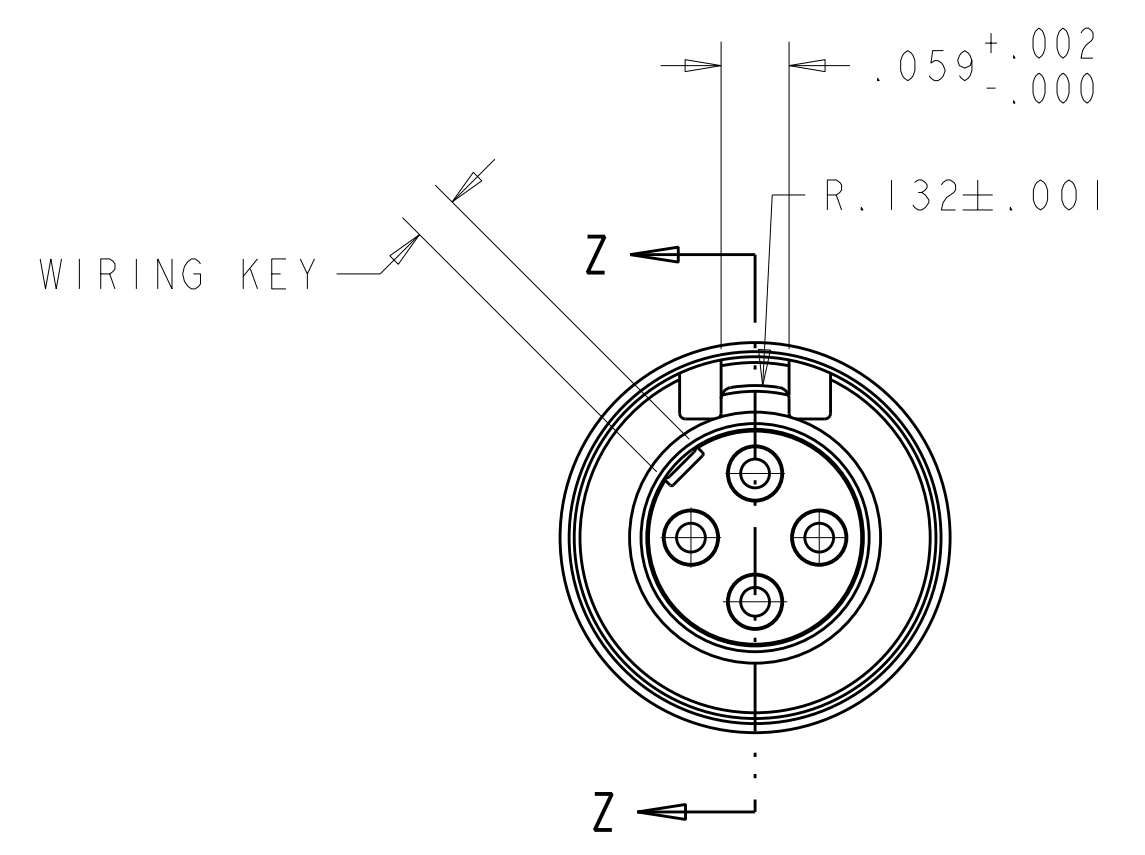
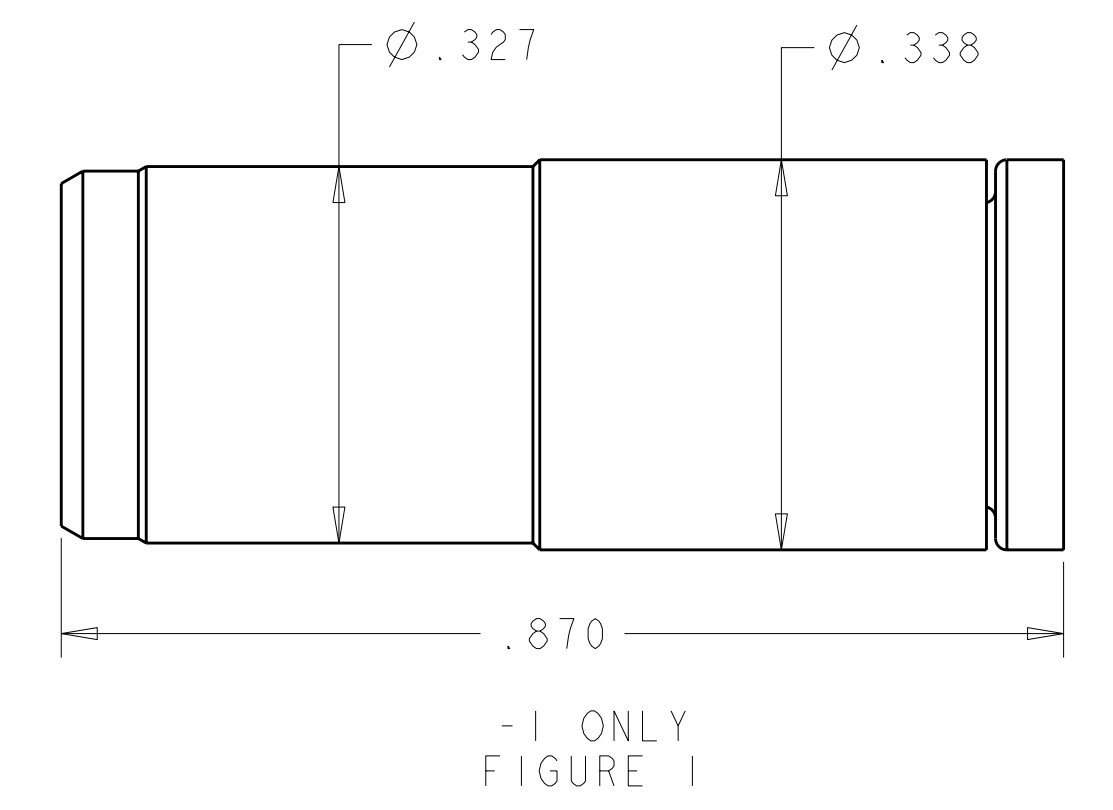
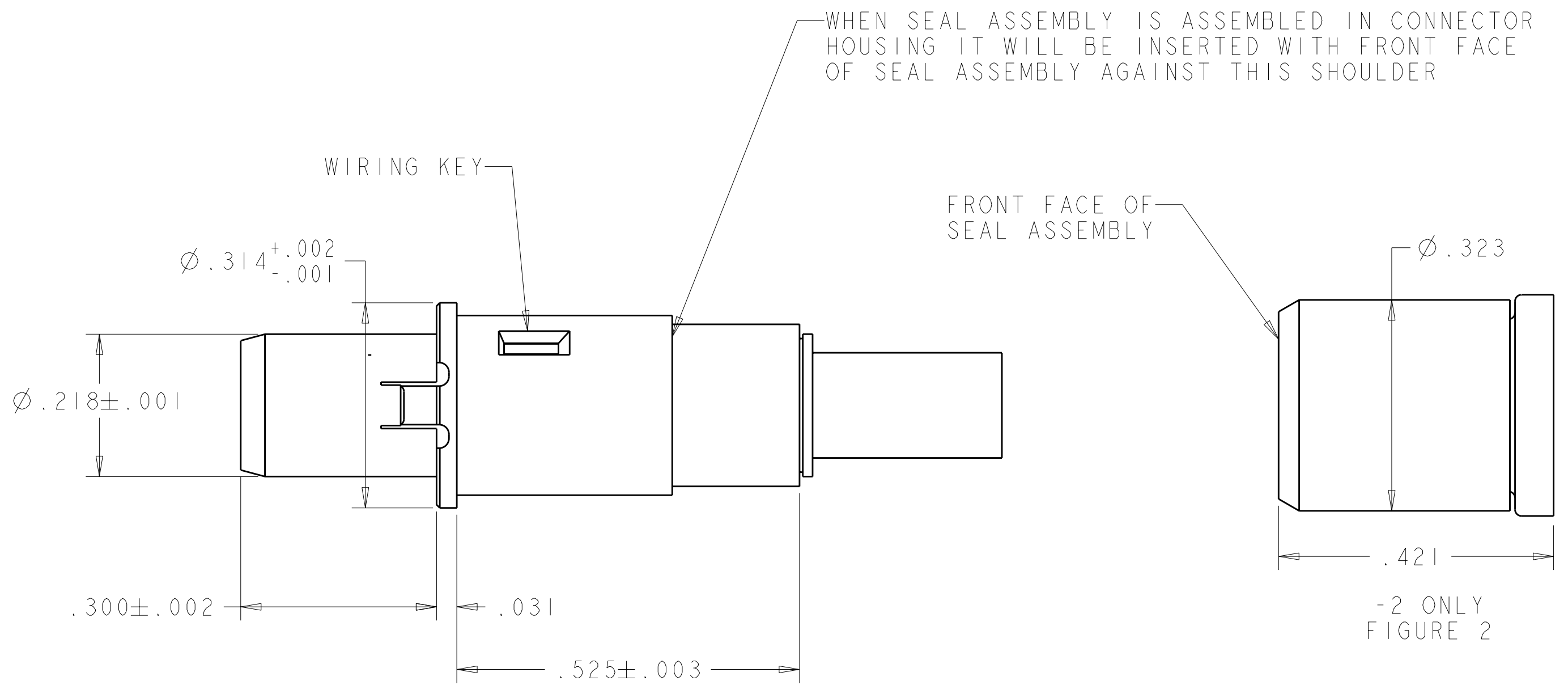
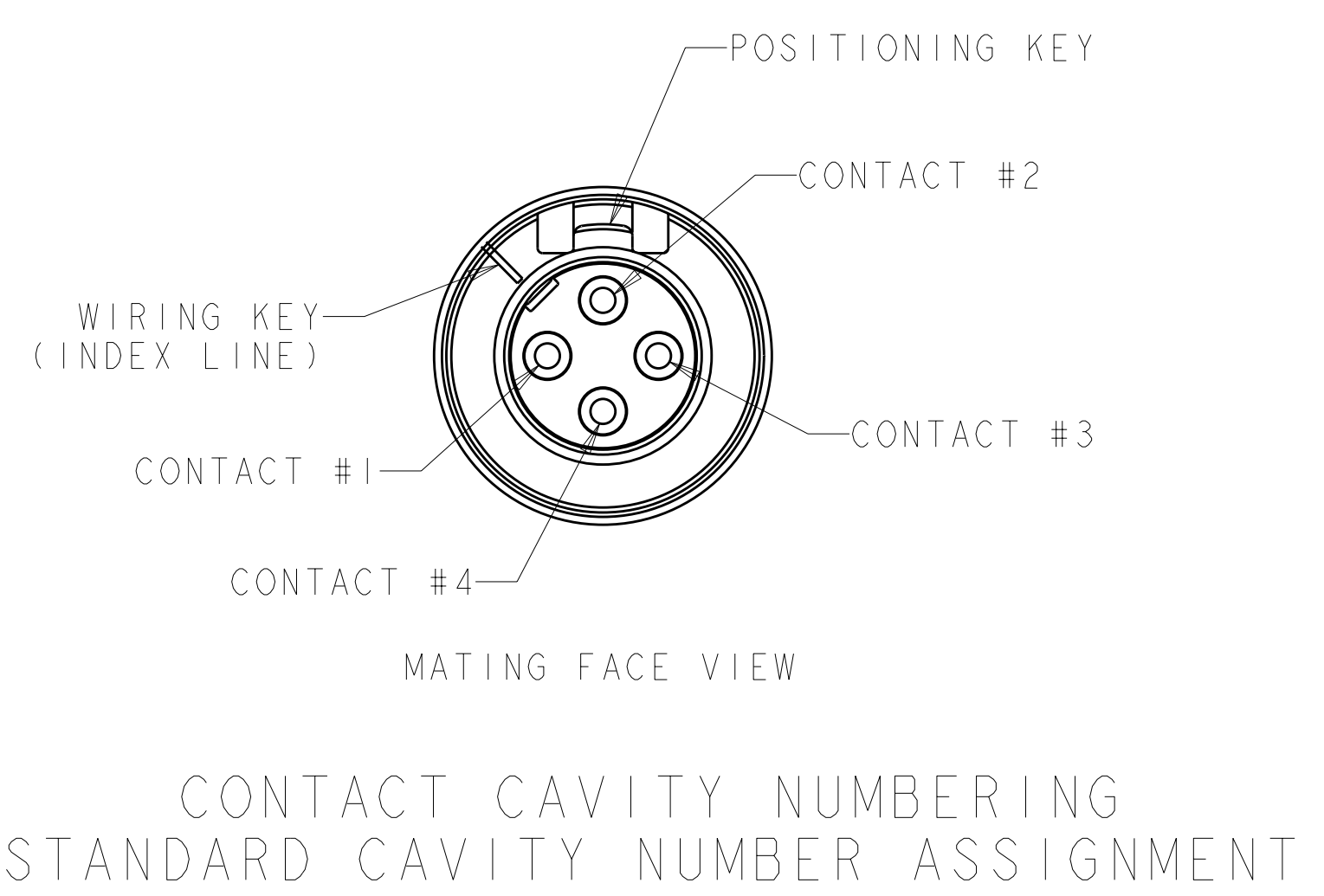


LOC	DIST	REV	DATE	BY	CHK	APPV	DESCRIPTION	DATE	DWN	APVD
DF	A5									
		A					RELEASED	15APR2008	RCF	KD
		B					REVISED PER ECO-08-015967	26JUN2008	RCF	KD
		C					REVISED PER ECO-09-017839	31JUL2009	RL	WB
		D					ECO-10-009979 .021 DIM TOL RELIEF	12MAY2010	RF	JA



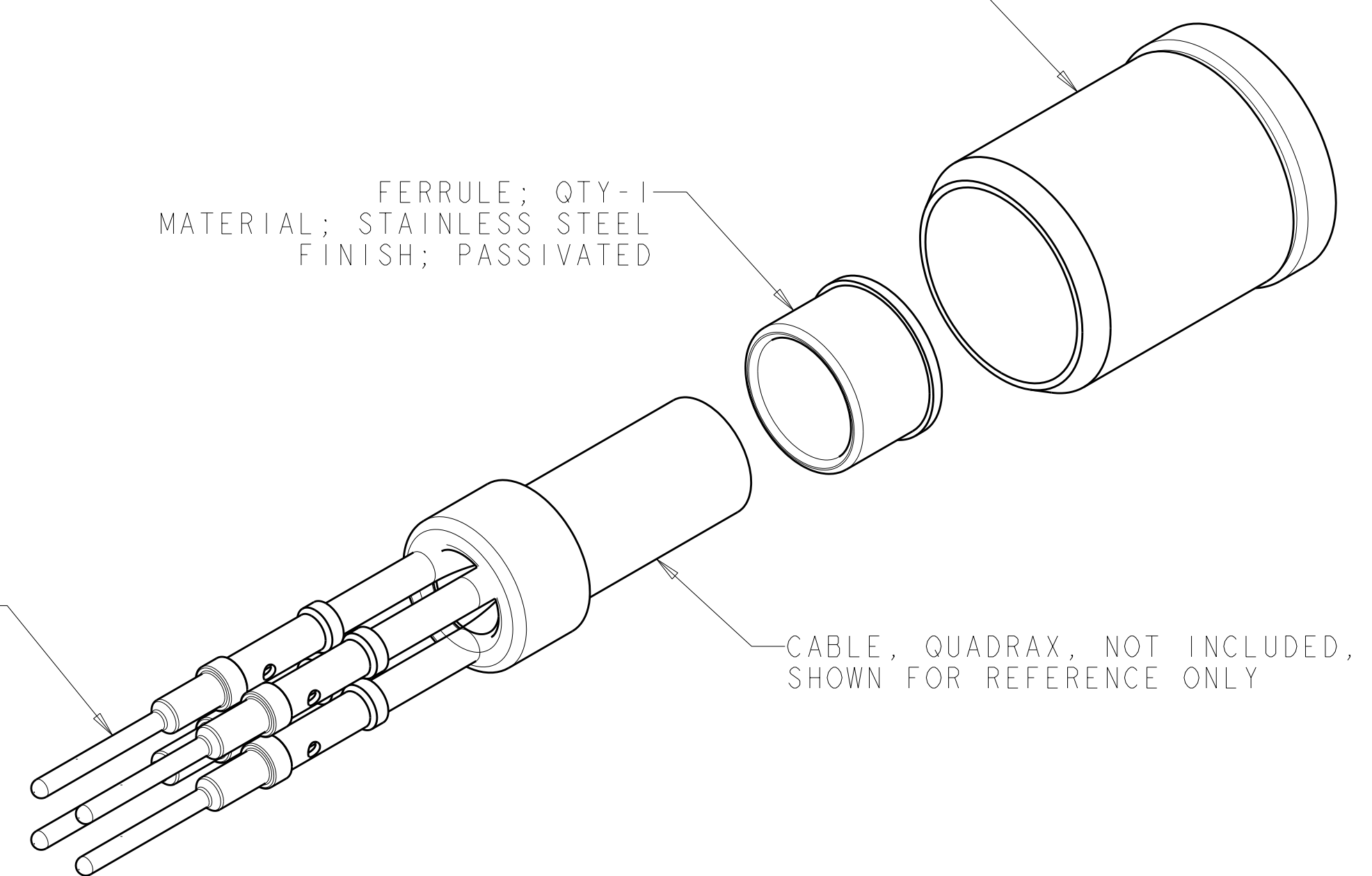
MATERIAL; SLEEVE, SEALING, THERMOPLASTIC, COLOR; NATURAL  
 SEAL, BOOT; FLUOROSILICONE RUBBER, COLOR; BLUE

FERRULE; QTY-1  
 MATERIAL; STAINLESS STEEL  
 FINISH; PASSIVATED

CONTACT, PIN; QTY-4  
 MATERIAL; LEADED COPPER  
 FINISH; GOLD OVER NICKEL

INSERT, PIN; QTY-1  
 MATERIAL; THERMOPLASTIC, COLOR; WHITE

SHELL, OUTER; QTY-1  
 MATERIAL; BRASS  
 FINISH; GOLD OVER NICKEL



- COMPONENTS ARE PACKAGED IN KIT FORM. CABLE MUST BE PURCHASED SEPARATELY.
- ASSEMBLE PER INSTRUCTION SHEET 408-10213.
- USE INSERTION-EXTRACTION TOOL 1738894-1.
- RECOMMENDED CABLE BMS13-72T03C04G024.

FIGURE 2	2000031-2
FIGURE 1	2000031-1
SEAL SLEEVE	PART NUMBER

DIMENSIONS: INCHES 		TOLERANCES UNLESS OTHERWISE SPECIFIED: 9 PLC ± 1 PLC ± 2 PLC ± 3 PLC ±.005 4 PLC ± ANGLES ± FINISH ±		DWN R. FLAIG 24AUG2007 CHK K. DOWNHOWER 24AUG2007 APPV M. DOWNHOWER 24AUG2007 PRODUCT SPEC APPLICATION SPEC WEIGHT CUSTOMER DRAWING		Tyco Electronics Harrisburg, PA 17105-3608 NAME ASSEMBLY, PIN, QUADRAX, SHORT SIZE CAGE CODE DRAWING NO. RESTRICTED TO A1100779C=2000031 SCALE 6:1 SHEET 1 OF 1 REV D	
---------------------------	--	---	--	---	--	--	--