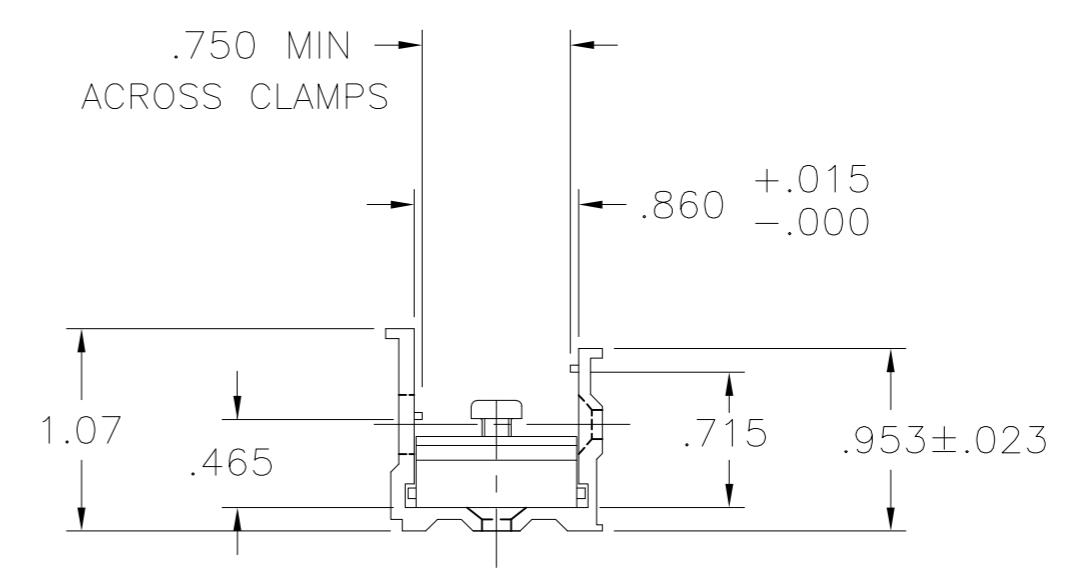


THIS DRAWING IS UNPUBLISHED. RELEASED FOR PUBLICATION
 © COPYRIGHT - By - ALL RIGHTS RESERVED.

| REVISIONS | | | | |
|-----------|-----|-----------------------|---------|-------|
| P | LTR | DESCRIPTION | DATE | APVD |
| B | | REV PER ECO 16-002383 | 3-28-16 | CT DE |



- 4. PART NO.'S 591613-1 THRU 2-591613-0 WERE FORMERLY MATRIX SCIENCE PART NO.'S MRTB-1 THRU MRTB-20.
- 3 MARK RAIL ASSEMBLY WITH INDEXING INDICATOR AND ZONE IDENTIFICATION AT APPROXIMATE AREA SHOWN.
- 2 MARK RAIL ASSEMBLY WITH CUSTOMER PART NO. .060 MINIMUM HIGH CHARACTERS AT APPROXIMATE AREA SHOWN.
- 1 MARK RAIL ASSEMBLY WITH "AMP", PART NO. AND DATE CODE .060 MINIMUM HIGH CHARACTERS AT APPROXIMATE AREA SHOWN.

| | | | |
|---------------------|--------|--------|------------|
| MRTB-2 | 1.671 | 2.171 | 2-591613-1 |
| --- | 8.691 | 9.191 | 2-591613-0 |
| --- | 8.301 | 8.801 | 1-591613-9 |
| --- | 7.911 | 8.411 | 1-591613-8 |
| --- | 7.521 | 8.021 | 1-591613-7 |
| --- | 7.131 | 7.631 | 1-591613-6 |
| M81714/5-13 | 6.741 | 7.241 | 1-591613-5 |
| M81714/5-12 | 6.351 | 6.815 | 1-591613-4 |
| M81714/5-11 | 5.961 | 6.461 | 1-591613-3 |
| M81714/5-10 | 5.571 | 6.071 | 1-591613-2 |
| M81714/5-9 | 5.181 | 5.681 | 1-591613-1 |
| CUSTOMER PART NO. 2 | DIM. A | DIM. L | PART NO |

| | | | |
|---------------------|--------|--------|------------|
| M81714/5-1 | 4.791 | 5.291 | 1-591613-0 |
| M81714/5-8 | 4.401 | 4.901 | 591613-9 |
| M81714/5-7 | 4.011 | 4.511 | 591613-8 |
| M81714/5-6 | 3.621 | 4.121 | 591613-7 |
| M81714/5-5 | 3.231 | 3.731 | 591613-6 |
| M81714/5-4 | 2.841 | 3.341 | 591613-5 |
| M81714/5-3 | 2.451 | 2.951 | 591613-4 |
| M81714/5-2 | 2.061 | 2.561 | 591613-3 |
| --- | 1.671 | 2.171 | 591613-2 |
| --- | 1.281 | 1.781 | 591613-1 |
| CUSTOMER PART NO. 2 | DIM. A | DIM. L | PART NO |

THIS DRAWING IS A CONTROLLED DOCUMENT.

| | | |
|------------------|----------|---------|
| DWN | N. FRITZ | 4-26-93 |
| CHK | R. RYAN | 3-31-93 |
| APVD | R. RYAN | 3-31-93 |
| PRODUCT SPEC | | |
| APPLICATION SPEC | | |
| WEIGHT | 0 | |
| CUSTOMER DRAWING | | |

TE Connectivity

RAIL, FEED-BACK ASSEMBLY, TJ

SCALE: NTS SHEET 1 OF 1 REV B