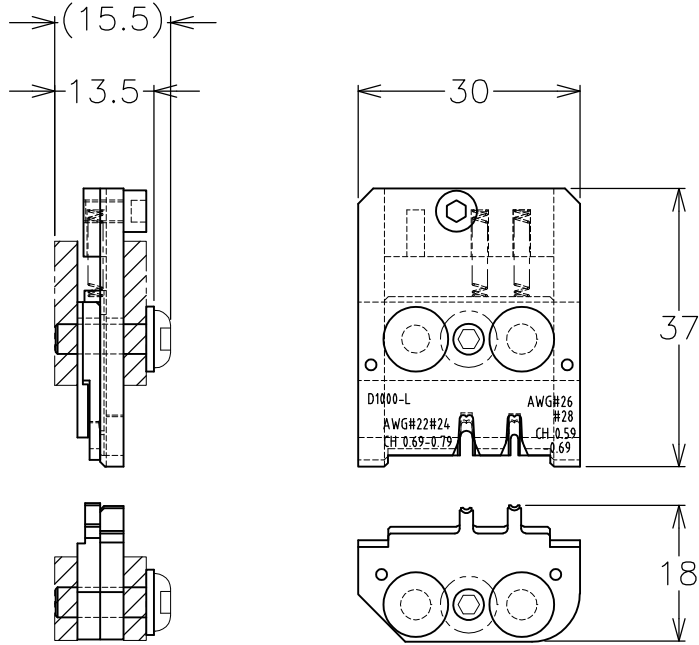


LOC J	DIST —	REVISIONS ?o			DATE	DWN	APVD
		P	LTR	DESCRIPTION			
			B	ECR-08-010468	24APR08	S.N	S.Y

-1 ONLY



RELEASED FOR PUBLICATION

ALL RIGHTS RESERVED.

BY TYCO ELECTRONICS CORPORATION.

THIS DRAWING IS UNPUBLISHED.

© COPYRIGHT

TERMINAL No.	WIRE SIZE AWG#	INS. RANGE (mm)	TERMINAL CH (mm)		IS. No.
			WIRE	INS.	
1827588-2 1871744-1	#26,#28	ø1.2-ø1.9	0.59-0.69	2.05 REF	411-78204
1903117-2 1903125-1	#22,#24	ø1.2-ø1.9	0.69-0.79	2.20 REF	

DIMENSIONS: XM? ? mm	DWN S.NAKA	20.JUL.2005	MATERIAL P?	—	FINISH □	—
	CHK S.NAKA	20.JUL.2005	Tyco Electronics Corporation Kawasaki, Japan			
TOLERANCES UNLESS OTHERWISE SPECIFIED: ,1↑	APVD S.YABE	20.JUL.2005				
0 PLC ± - 1 PLC ± - 2 PLC ± - 3 PLC ± - 4 PLC ± - ANGLES ± -	PRODUCT SPEC ?A?<	—	SIZE A4			
	APPLICATION SPEC ?A?<	114-5377	CAGE CODE 00779	DRAWING NO 1762951	RESTRICTED TO —	
	WEIGHT 90 g	CUSTOMER DRAWING				SCALE 1:1
						SHEET 1 OF 1
						REV B

