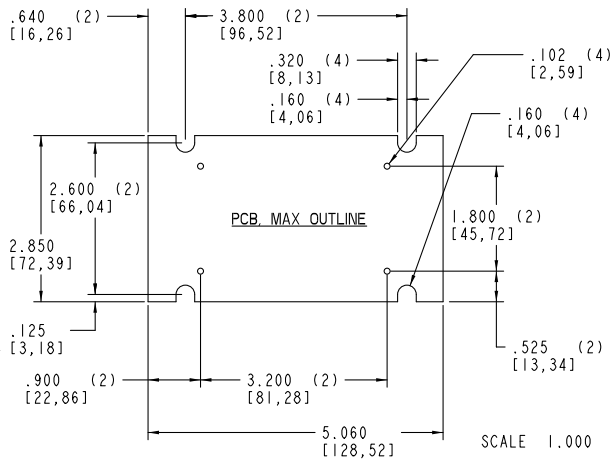
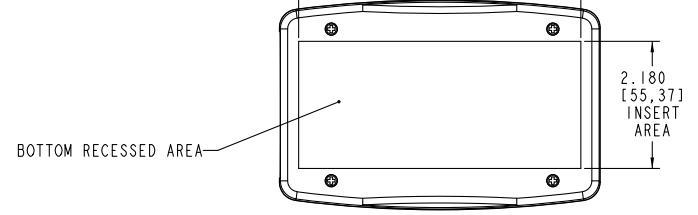
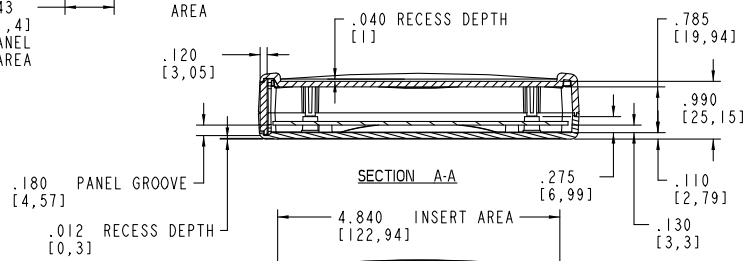
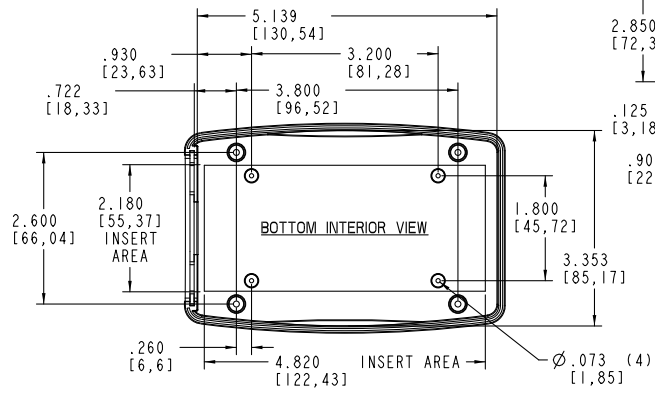


SCREW: PAN HD.PHILLIPS #2B X 11/16 LG.
 PAC-TEC P/N 60228-02



SUGGESTED PCB MTG. SCREW
 PHP #2B X 1/4 LG.
 WITH A #2 PLASTIC WASHER.



PACNTEC®
 1-610-361-4200

XP

VISIT **PACNTEC®**
 ON THE WORLD WIDE WEB
www.pactecenclosures.com

COLOR / MATERIAL CODE		
COLOR	94HB	94VO
BLACK	000	028
P.C.BONE	039	060

DRAWING NUMBER	REV
81538	A