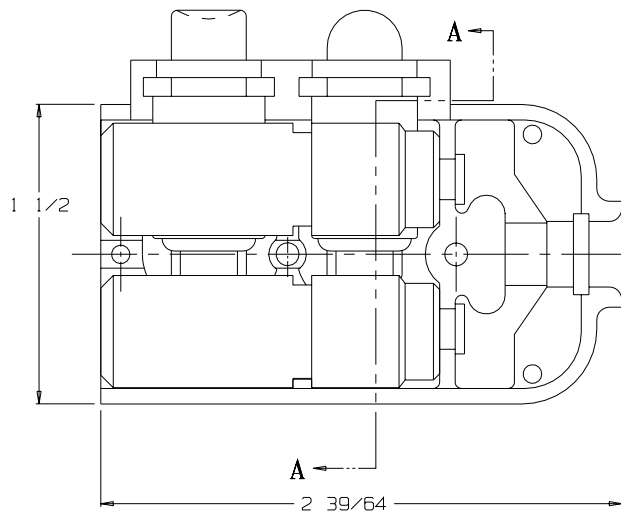
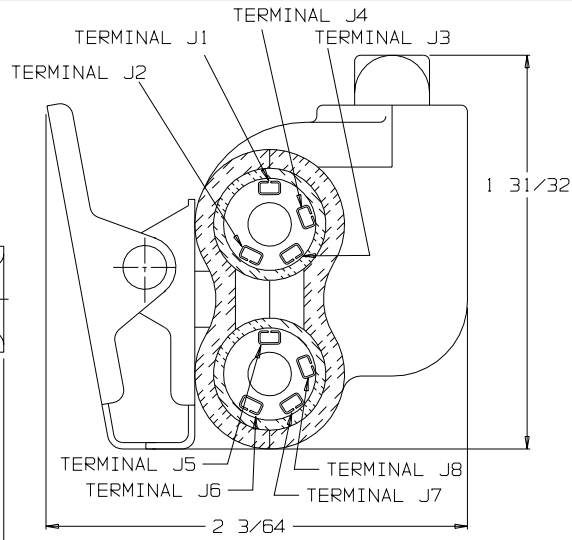


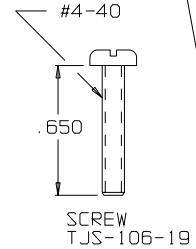
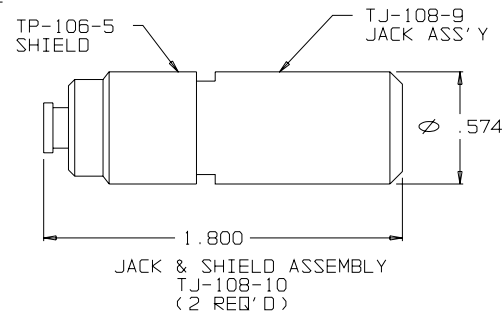
C TJSS-108-2J



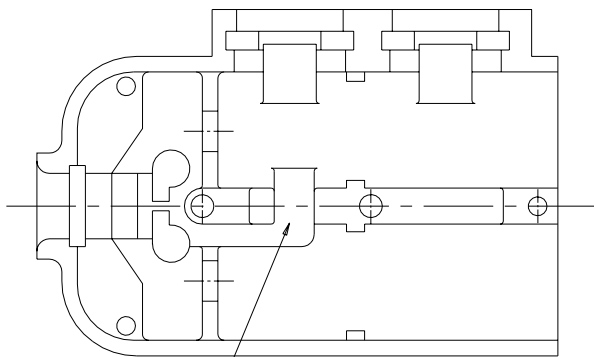
VIEW WITH HALF SHELL REMOVED



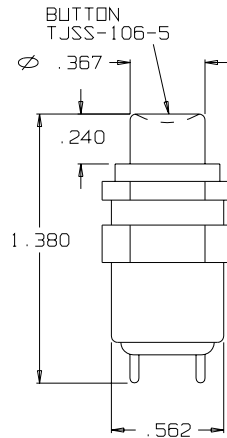
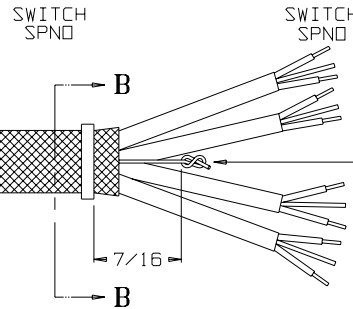
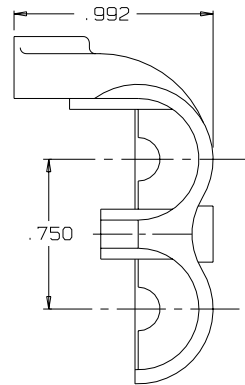
SECTION A-A



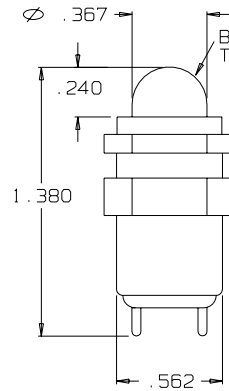
CLIP ASSY TJSS-104-3A



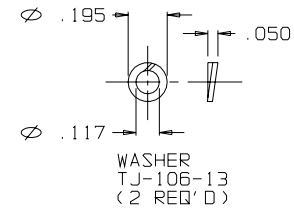
SHELL, HALF TJSS-106-2



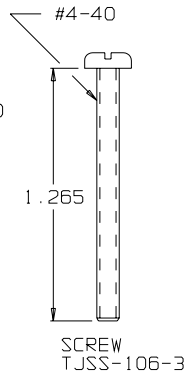
SWITCH SPND



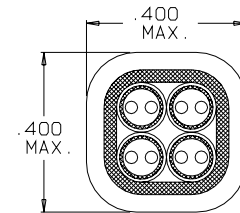
SWITCH SPND



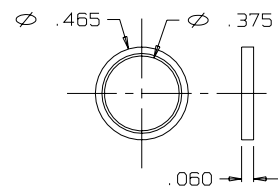
WASHER TJ-106-13 (2 REQ'D)



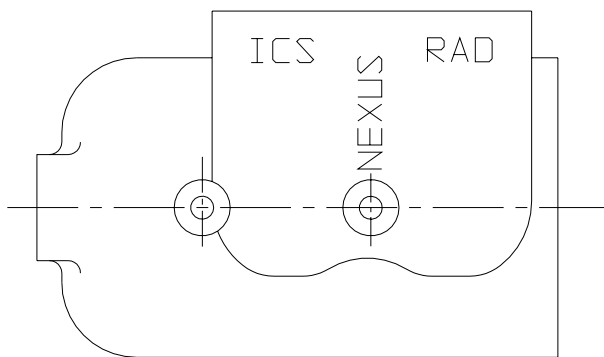
SCREW TJSS-106-3



SECTION B-B
STRAIN RELIEF CLAMP TJSS-106-6 AFTER CRIMPING SCALE 4:1



RING, STRAIN RELIEF TJSS-106-6



SHELL, HALF TJSS-108-1

THIS DOCUMENT CONTAINS PROPRIETARY INFORMATION OF NEXUS, INCORPORATED AND SUCH INFORMATION MAY NOT BE DISCLOSED TO OTHERS FOR ANY PURPOSE OR USED FOR ANY PURPOSE WITHOUT THE WRITTEN CONSENT OF NEXUS.

OWN BY: EWT	DATE: 2/21/07	MATERIAL: _____
	DATE: _____	FINISH: _____
	DATE: _____	WEIGHT: _____ SCALE: NONE
UNLESS OTHERWISE SPECIFIED DIMENSIONS ARE IN INCHES TOLERANCES ON FRACTIONS DECIMALS ANGLES +/- 1/64 +/- .005 —		TITLE: JACK-TELEPHONE-BIAXIAL SHIELDED (8) CONDUCTOR WITH 2 SWITCHS 2 JACKS
DO NOT SCALE DWG.		SHEET 1 OF 1

A	INITIAL RELEASE	2/21/07	EWT
LET.	REVISION	CN #	DATE

NEXUS
STAMFORD, CONN
SIZE: _____
DWG. NO.: _____
C TJSS-108-2J