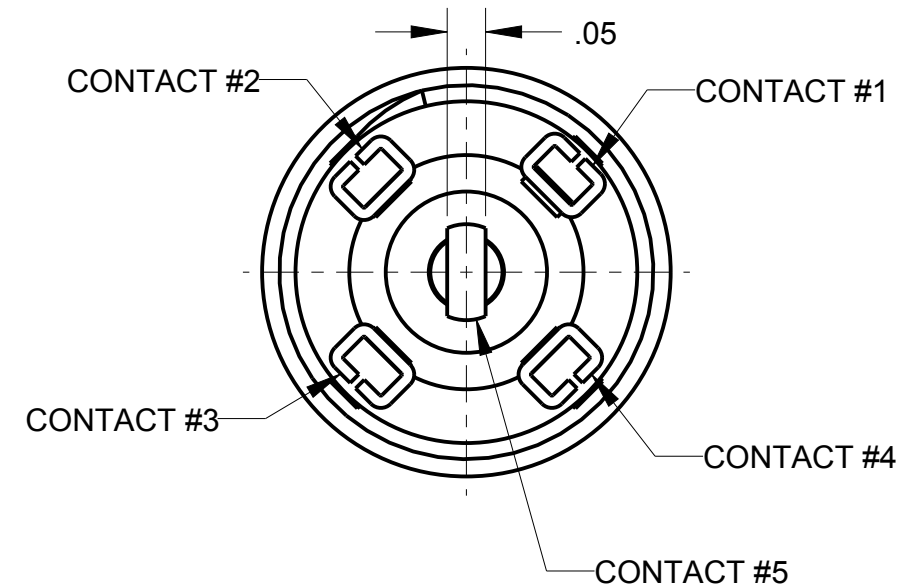
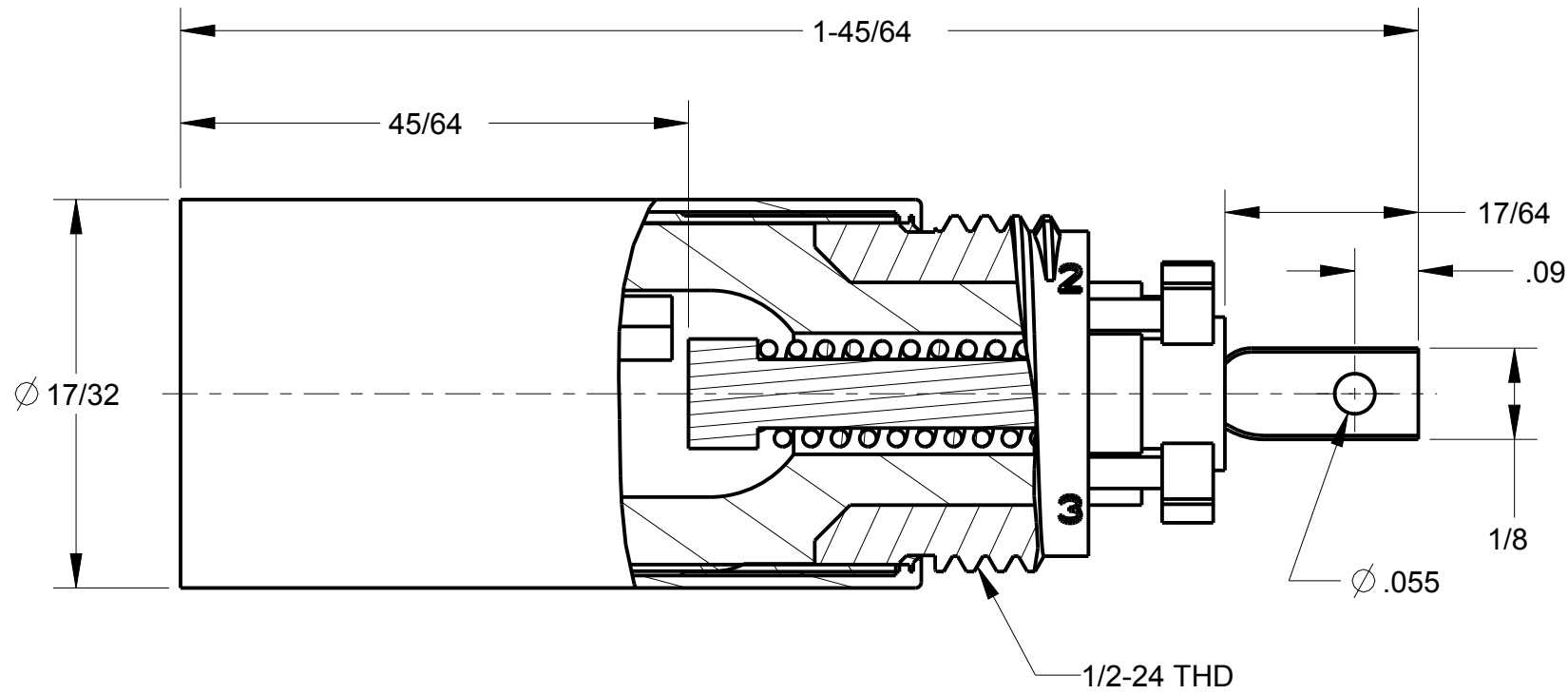


B TJ-101S-CP



THIS DOCUMENT CONTAINS PROPRIETARY INFORMATION OF NEXUS, INCORPORATED AND SUCH INFORMATION MAY NOT BE DISCLOSED TO OTHERS FOR ANY PURPOSE OR USED FOR ANY PURPOSE WITHOUT THE WRITTEN CONSENT OF NEXUS.

LET.	REVISION	CN #	DATE	CHK.
D	REVISE CONTACT #5 LOCATION		2/24 2011	HR
C	REVISE PIN DIMS & CONTACT LOCATIONS		11/8 2010	HR
B	REVISE PIN DIMS		10/29 2010	HR
A	PROPOSAL		10/14 2010	HR

DWN.BY	HR	DATE	10/19/10
CHECKED BY		DATE	
APPR.BY		DATE	
UNLESS OTHERWISE SPECIFIED: DIMENSIONS ARE IN INCHES &/OR [mm]			
TOLERANCES:			
DECIMAL: .XX[X.X] ± .01[0.3]		.XXX[X.XX] ± .003[0.08]	
FRACTION: X/X ± 1/64		ANGLES: X ± .5°	

MATERIAL	
FINISH	
WEIGHT	SCALE = 1.00 :1
TITLE TELEPHONE JACK 4 COND, 1 SW	
DO NOT SCALE DWG.	SHEET 1 OF 1

NEXUS STAMFORD, CONN	
SIZE	DWG. NO.
B	TJ-101S-CP