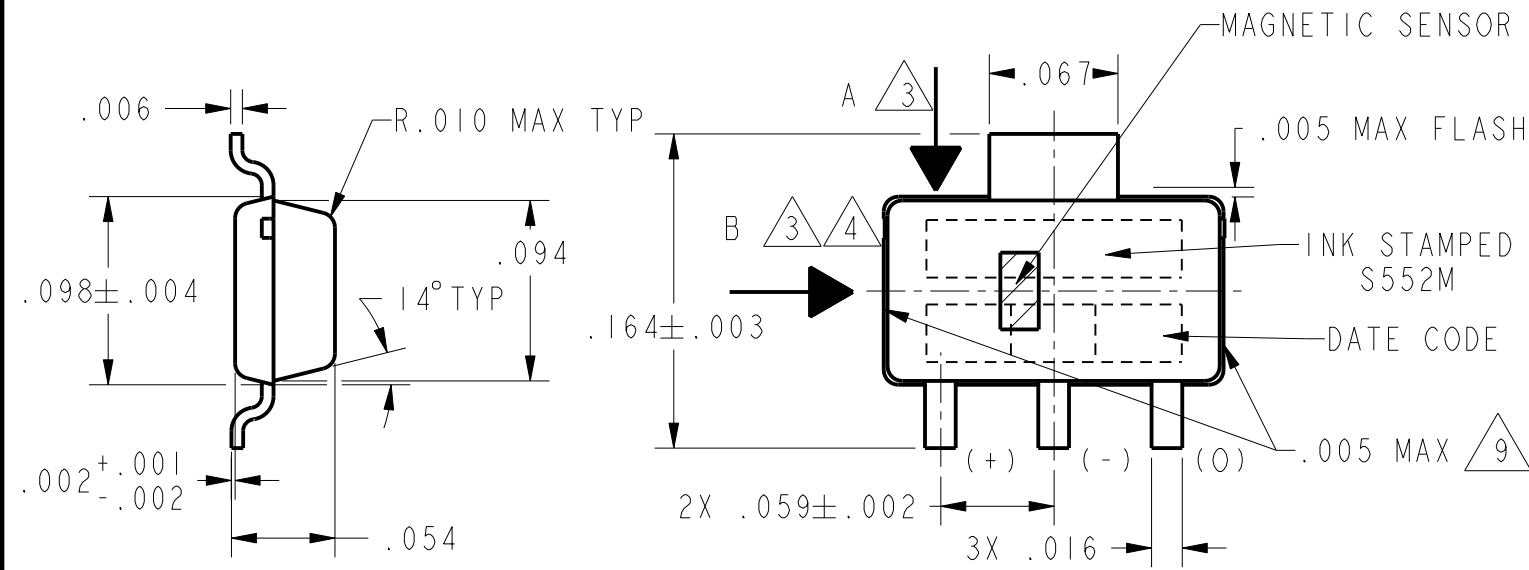


CATALOG LISTING	PAGE 1 OF 2	REPLACES
		SS552MT
ISSUE	3	RELEASE NO. 0000904
REVISIONS		
A	0000904	18 JAN 06
	GLH	
	10 SEP 03	
3	0018451	18 JAN 06
	SR	
	18 JAN 06	
		DGD
		CHECK
		10 SEP 03
		SAV
		CHECK
		15 MAR 99
		WJK
PTC/CAD		DRAWN



NOTES

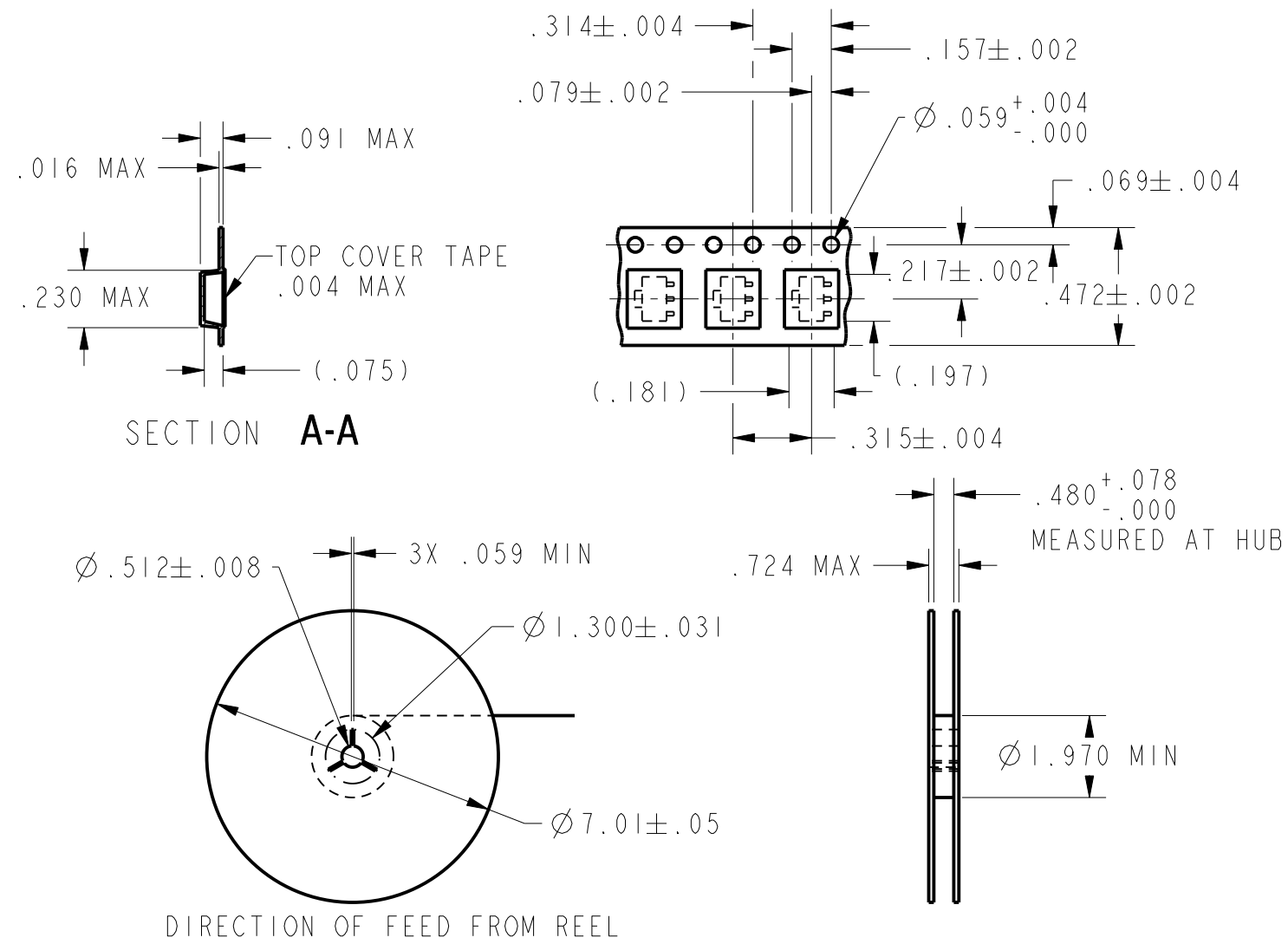
- 1 - SOLDERING INSTRUCTIONS: EXPOSURE TO HIGH TEMPERATURES SHOULD BE KEPT AT A MINIMUM MICRO SWITCH RECOMMENDS AN INFRARED REFLOW PROCESS WITH PEAK TEMPERATURES NOT EXCEEDING 245°C FOR 10 SECONDS MAXIMUM. DO NOT WAVE SOLDER THIS PRODUCT, AS THIS PROCESS MAY NEGATIVELY AFFECT THE SENSOR'S PERFORMANCE AND RELIABILITY. SUBJECTING THESE PRODUCTS TO WAVE SOLDERING WILL VOID MICRO SWITCH'S WARRANTY
- 2 ABSOLUTE MAXIMUM RATINGS ARE THE EXTREME LIMITS THE DEVICE WILL MOMENTARILY WITHSTAND WITHOUT DAMAGE TO THE DEVICE. ELECTRICAL AND MAGNETIC CHARACTERISTICS ARE NOT GUARANTEED IF THE SPECIFIED VOLTAGE AND/OR CURRENTS ARE EXCEEDED NOR WILL THE DEVICE NECESSARILY OPERATE AT ABSOLUTE MAXIMUM RATING
- 3 TO TEST THE SENSOR AGAINST THE SPECIFIED OPERATING CHARACTERISTICS PLACE IN A HELMHOLTZ COIL FIELD AND GIVE THE FOLLOWING HISTORY: 35 GAUSS MINIMUM IN DIRECTION "A": 35 GAUSS MINIMUM IN DIRECTION "B": TEST TO OPERATING CHARACTERISTICS IN DIRECTION "B" (THIS ASSUMES THE CONVENTION THAT THE DIRECTION OF THE EXTERNAL FLUX OF A MAGNET IS FROM THE NORTH TO SOUTH POLE OF THE MAGNET) THE SENSOR WILL OPERATE WITH THE FLUX FROM EITHER POLE OF A MAGNET WHEN APPLIED IN THE DIRECTION AND LOCATION SHOWN AT SUPPLY VOLTAGE OF 3.8 TO 30 VDC AND OVER THE TEMPERATURE RANGE SPECIFIED AT 24°C ± 2°C AND 16 VDC ± 0.5 % SUPPLY VOLTAGE THE MAGNETIC CHARACTERISTICS OF THE SENSOR MAY BE AFFECTED BY STRAY MAGNETIC FIELDS THIS PRODUCT WILL BE SUPPLIED IN TAPE AND REEL FORM PER EIA STD 481. GATE VESTIGE PERMITTED IN THESE AREAS. UNDERFLUSH BREAKOUT LIMITED TO .007

**CAUTION**  
ELECTROSTATIC SENSITIVE DEVICES  
DO NOT OPEN OR HANDLE EXCEPT AT A STATIC FREE WORKSTATION

ESD SENSITIVITY:  
CLASS 2

THIRD ANGLE PROJECTION	
SCALE	NONE
DO NOT SCALE PRINT	
UNLESS OTHERWISE SPECIFIED TOLERANCES ARE	
ONE PLACE	(.0) ± .030
TWO PLACE	(.00) ± .015
THREE PLACE	(.000) ± .005
ANGLES	±
WEIGHT	

SS552MT  
 CATALOG LISTING  
 PAGE 2 OF 2  
 RELEASE NO. 0000904  
 REPLACES  
 M  
 ISSUE 3  
 REVISIONS  
 A 0000904 18 JAN 06  
 GLH 10 SEP 03  
 3 0018451 18 JAN 06  
 SR 18 JAN 06  
 DGD  
 CHECK  
 10 SEP 03  
 SAV  
 CHECK  
 15 MAR 99  
 WJK  
 DRAWN  
 PTC/CAD



**TAPE AND REEL DIMENSIONS**  $\triangle 8$

**MAGNETIC CHARACTERISTICS**  $\triangle 3, 5, 7$

TEMPERATURE RANGE	-20°C TO 85°C	-40°C TO 150°C
OPERATE MAX	25 GAUSS	25 GAUSS
RELEASE MIN	5 GAUSS	4 GAUSS
DIFF MAX	7 GAUSS	8 GAUSS

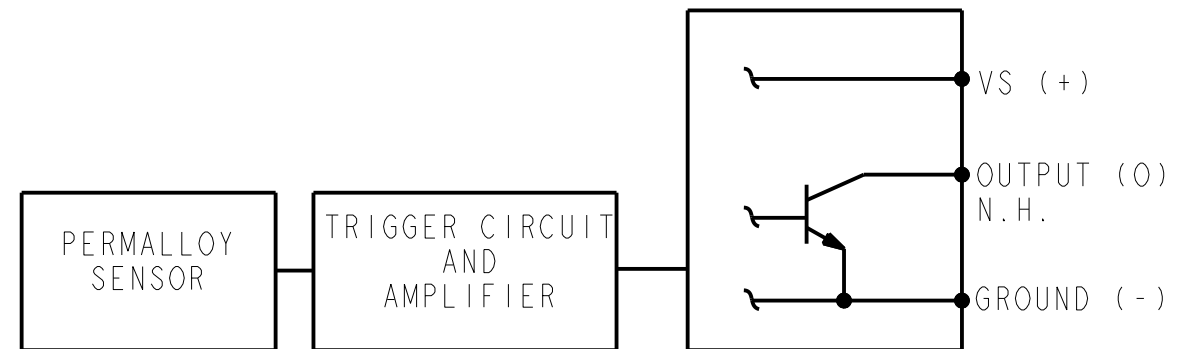
**ABSOLUTE MAXIMUM RATING**  $\triangle 2$

SUPPLY VOLTAGE (VS)	- .5 TO 30 VOLTS DC
VOLTAGE EXTERNALLY APPLIED TO OUTPUT	+30 VDC MAX WITH SWITCH IN "OFF" CONDITION ONLY -0.5 VOLTS WITH SWITCH IN "OFF" OR "ON" CONDITION
OUTPUT CURRENT	20 mA
TEMPERATURE	-40°C TO 150°C
MAGNETIC FLUX	NO LIMIT, THE CIRCUIT CANNOT BE DAMAGED BY MAGNETIC OVERDRIVE

**ELECTRICAL CHARACTERISTICS**

	MIN	TYP	MAX	REMARKS
SUPPLY CURRENT (WITHOUT LOAD) $\triangle 6$		6 mA	11 mA 10 mA	MAX (OPERATED) MAX (RELEASED)
OUTPUT VOLTAGE (OPERATED) $\triangle 5$		0.25 V	0.40 V	SINKING 20 mA MAX
OUTPUT LEAKAGE CURRENT (RELEASED) $\triangle 5$			10 $\mu$ A	LEAKAGE INTO SWITCH OUTPUT
OUTPUT SWITCHING TIME $\triangle 5$				1600 OHM, 20pF LOAD
RISE TIME		0.2 $\mu$ S	1.5 $\mu$ S	10% TO 90%
FALL TIME		0.1 $\mu$ S	1.5 $\mu$ S	90% TO 10%
SUPPLY VOLTAGE	3.8 V		30 V	

**BLOCK DIAGRAM OF CURRENT SINKING OUTPUT**



**CAUTION**  
ELECTROSTATIC SENSITIVE DEVICES  
DO NOT OPEN OR HANDLE EXCEPT AT A STATIC FREE WORKSTATION

**ESD SENSITIVITY: CLASS 2**

THIRD ANGLE PROJECTION

SCALE NONE

DO NOT SCALE PRINT

UNLESS OTHERWISE SPECIFIED TOLERANCES ARE

ONE PLACE	(.0)	±.030
TWO PLACE	(.00)	±.015
THREE PLACE	(.000)	±.005
ANGLES		±
WEIGHT		