

CATALOG LISTING
1TP155 SERIES CHART 1

PAGE 1 OF 1

ISSUE
2

REVISIONS
A CO-94411
LJK
24 NOV 99

CHECK

CHECK

24 NOV 99

JAF

CHECK

24 NOV 99

DRAWN

PTC/CAD 2D

LJK

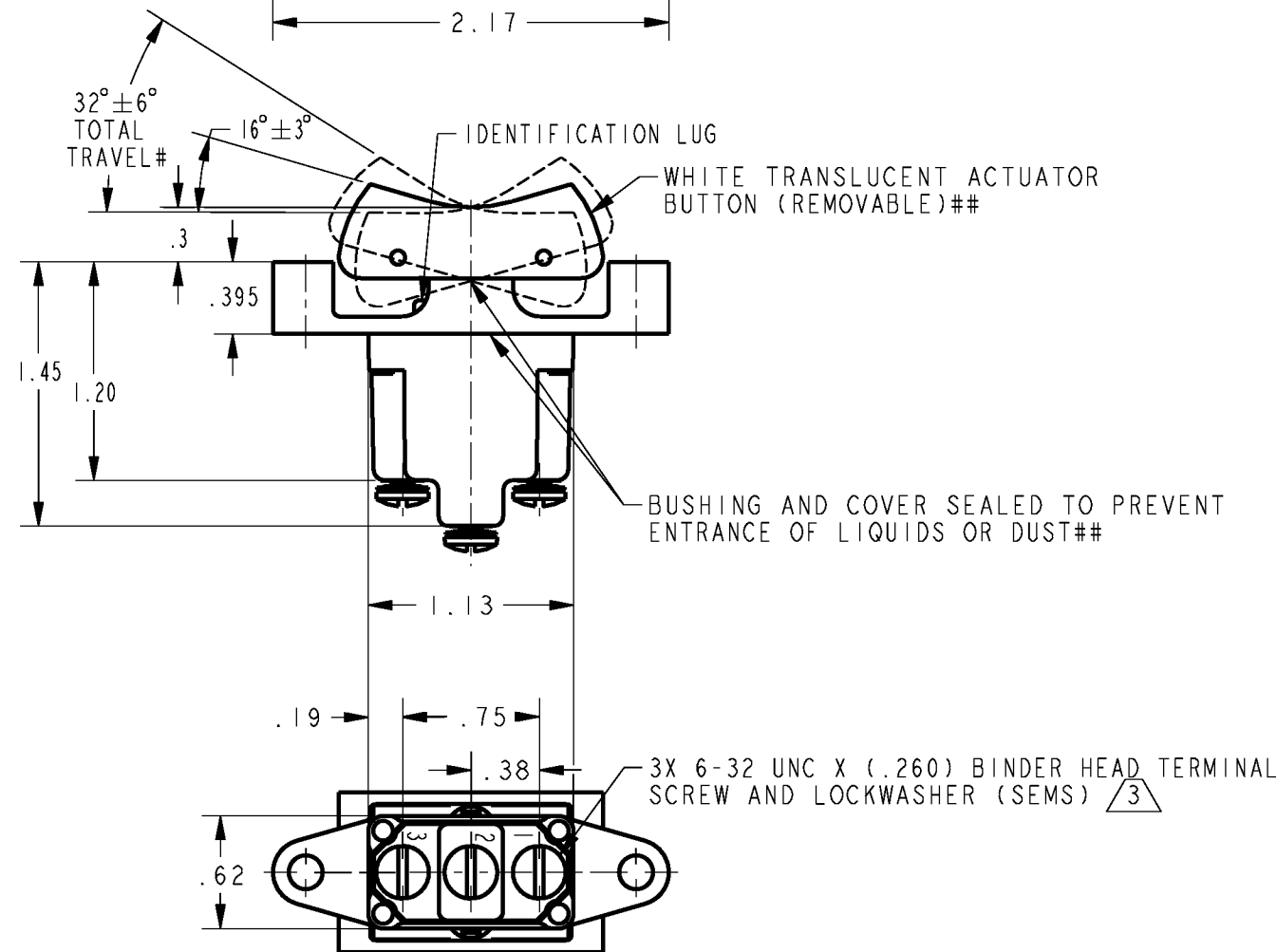
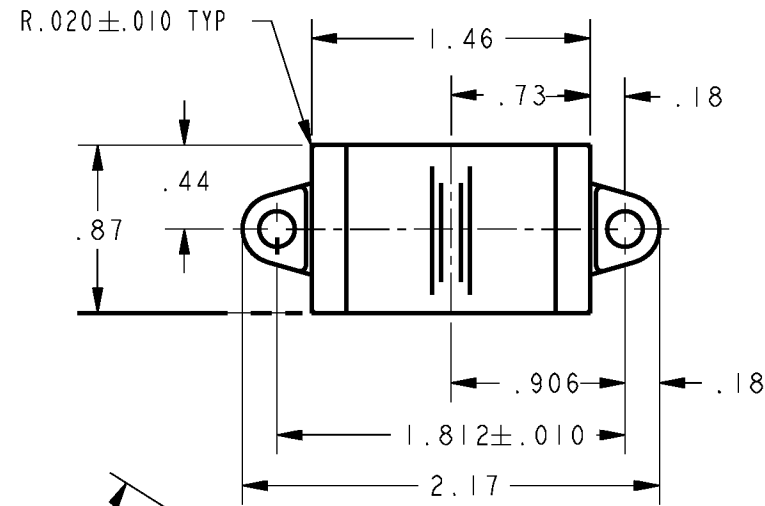
REPLACES

RELEASE NO. PR-23067

CHECK

CHECK

CHECK



| CATALOG LISTING | CIRCUIT WITH BUTTON IN | | |
|-----------------|------------------------|--------------|----------------|
| | OPPOSITE LUG(2-3) | CENTER (1-2) | LUG SIDE (1-2) |
| 1TP155-1 | ON | OFF | ON |
| 1TP155-2 | ON | NONE | OFF |
| 1TP155-3 | ON | NONE | ON |
| 1TP155-21 | ON | OFF | NONE |
| 1TP155-31 | ON | ON | NONE |
| 1TP155-5 | ON | OFF | MOM ON |
| 1TP155-6 | OFF | NONE | MOM ON |
| 1TP155-7 | MOM ON | OFF | MOM ON |
| 1TP155-8 | ON | NONE | MOM ON |
| 1TP155-51 | MOM ON | ON | NONE |
| 1TP155-61 | NONE | OFF | MOM ON |

L191
15A 125, 250, 277 VAC
1/2HP 125 VAC
1HP 250, 277 VAC
5A 125 VAC "L"

L192
10A 125, 250, 277 VAC
1/4HP 125 VAC,
1/2HP 250, 277 VAC
3A 125 VAC "L"

- NOTES
1 - MICRO SWITCH CATALOG LISTING MARKED ON SIDE OF SWITCH
2 - THESE SWITCHES WILL WITHSTAND TEMPERATURE OF 160°F
3 - SCREWS FURNISHED UNASSEMBLED

THIRD ANGLE PROJECTION

SCALE FULL

DO NOT SCALE PRINT

UNLESS OTHERWISE SPECIFIED TOLERANCES ARE

| | | |
|-------------|--------|-------|
| ONE PLACE | (.0) | ±.030 |
| TWO PLACE | (.00) | ±.015 |
| THREE PLACE | (.000) | ±.005 |
| ANGLES | | ± |

WEIGHT .10 LB EST