

TPD1030F

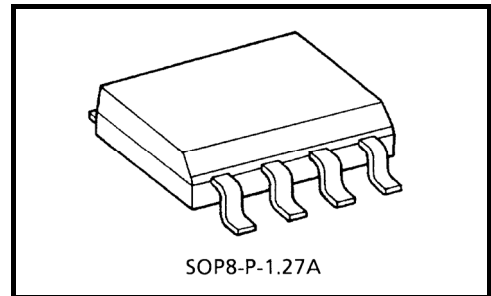
2-IN-1 Low-Side Switch for Motor, Solenoid and Lamp Drive

The TPD1030F is a 2-IN-1 low-side switch.

The IC has a vertical MOSFET output which can be directly driven from a CMOS or TTL logic circuit (e.g., an MPU). The IC is equipped with intelligent self-protection functions.

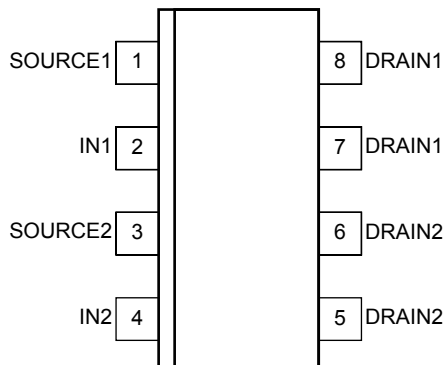
Features

- Two built-in power IC chips with a new structure combining a control block and a vertical power MOSFET (L^2 - π -MOS) on each chip.
- Can directly drive a power load from a CMOS or TTL logic.
- Built-in protection circuits against overvoltage (active clamp), overtemperature (thermal shutdown), and overcurrent (current limiter).
- Low Drain-Source ON-resistance: $R_{DS(ON)} = 0.6 \Omega$ (max) (@ $V_{IN} = 5 \text{ V}$, $I_D = 0.5 \text{ A}$, $T_{ch} = 25^\circ\text{C}$)
- Low Leakage Current: $I_{DSS} = 10 \mu\text{A}$ (max) (@ $V_{IN} = 0 \text{ V}$, $V_{DS} = 30 \text{ V}$, $T_{ch} = 25^\circ\text{C}$)
- Low Input Current: $I_{IN} = 300 \mu\text{A}$ (max) (@ $V_{IN} = 5 \text{ V}$, $T_{ch} = 25^\circ\text{C}$)
- 8-pin SOP package with embossed-tape packing.

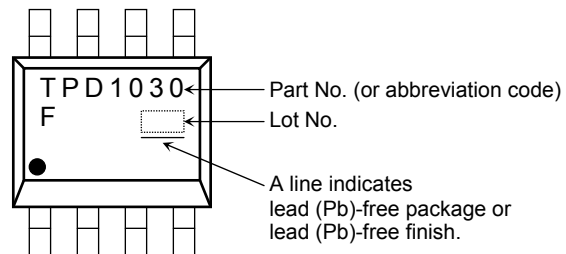


Weight: 0.08 g (typ.)

Pin Assignment (top view)

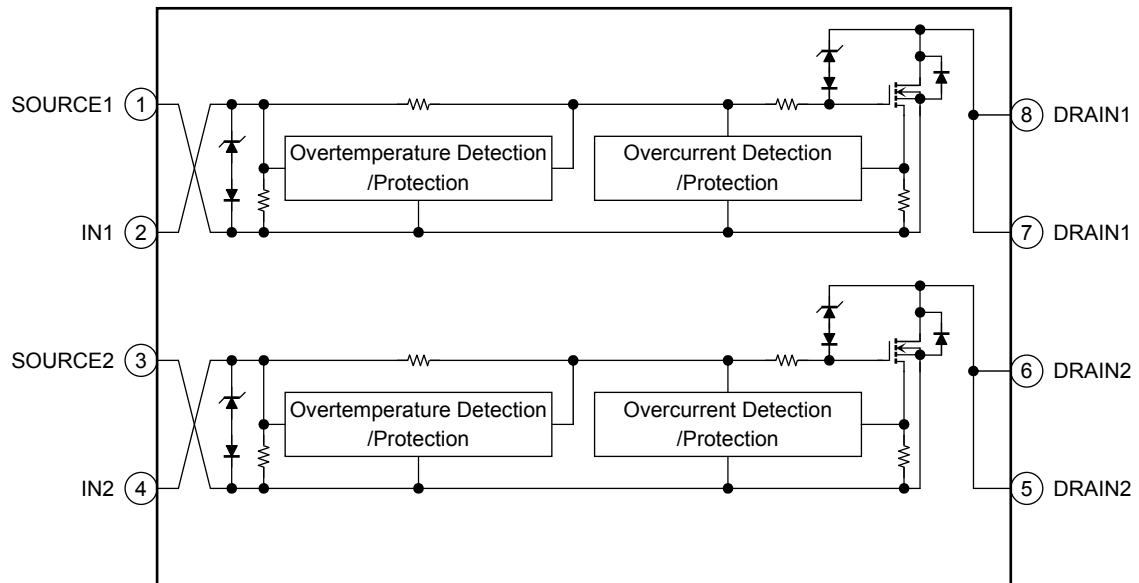


Marking



Note1: Due to its MOS structure, this product is sensitive to static electricity.

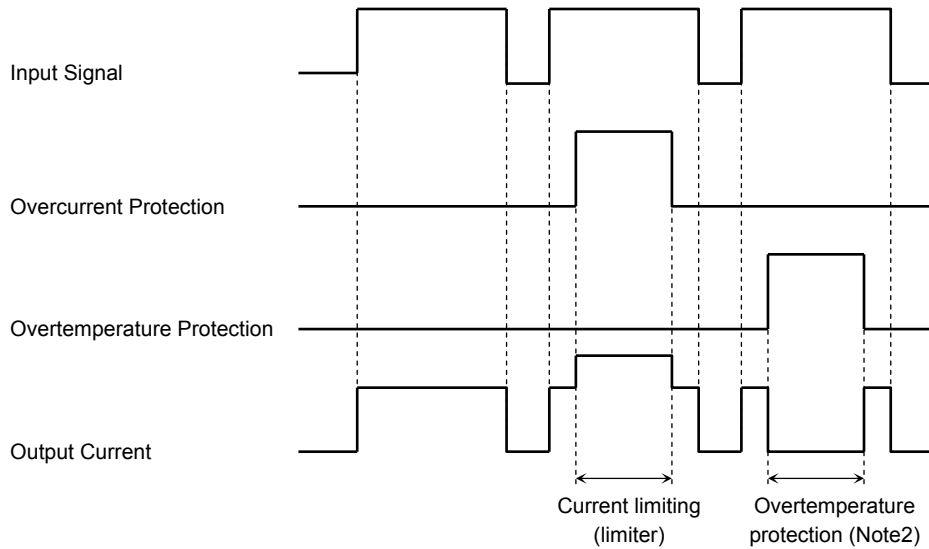
Block Diagram



Pin Description

| Pin No. | Symbol | Pin Description |
|---------|---------|---|
| 1 | SOURCE1 | Source pin 1 |
| 2 | IN1 | Input pin 1 This pin is connected to a pull-down resistor internally, so that even when input wiring is open-circuited, output can never be turned on inadvertently. |
| 3 | SOURCE2 | Source pin 2 |
| 4 | IN2 | Input pin 2 This pin is connected to a pull-down resistor internally, so that even when input wiring is open-circuited, output can never be turned on inadvertently. |
| 5, 6 | DRAIN2 | Drain pin 2 Drain current is limited (by current limiter) if it exceeds 1 A (min) in order to protect the IC. |
| 7, 8 | DRAIN1 | Drain pin 1 Drain current is limited (by current limiter) if it exceeds 1 A (min) in order to protect the IC. |

Timing Chart



Note2: The overheating detector circuits feature hysteresis. After overheating is detected, normal operation is restored only when the channel temperature falls by the hysteresis amount (5°C typ.) in relation to the overheating detection temperature.

Truth Table

| IN | V _{OUT} | Mode |
|----|------------------|-----------------|
| L | H | Normal |
| H | L | |
| L | H | Overcurrent |
| H | H | |
| L | H | Overtemperature |
| H | H | |

Absolute Maximum Ratings (Ta = 25°C)

| Characteristics | Symbol | Rating | Unit |
|---|----------------------|--------------------|------|
| Drain-source voltage | V _{DS} (DC) | 40 | V |
| Drain current | I _D | Internally Limited | A |
| Input voltage | V _{IN} | -0.3 to 7 | V |
| Power dissipation (t = 10 s) | P _D | 2.0 (Note 3) | W |
| Single pulse active clamp capability (Note 4) | E _{AS} | 10 | mJ |
| Active clamp current | I _{AR} | 1 | A |
| Repetitive active clamp capability (Note 5) | E _{AR} | 0.2 | mJ |
| Operating temperature | T _{opr} | -40 to 110 | °C |
| Channel temperature | T _{ch} | 150 | °C |
| Storage temperature | T _{stg} | -55 to 150 | °C |

Note: Using continuously under heavy loads (e.g. the application of high temperature/current/voltage and the significant change in temperature, etc.) may cause this product to decrease in the reliability significantly even if the operating conditions (i.e. operating temperature/current/voltage, etc.) are within the absolute maximum ratings and the operating ranges.
Please design the appropriate reliability upon reviewing the Toshiba Semiconductor Reliability Handbook ("Handling Precautions"/Derating Concept and Methods) and individual reliability data (i.e. reliability test report and estimated failure rate, etc).

Thermal Characteristics

| Characteristics | Symbol | Max | Unit |
|--|-----------------|------|------|
| Thermal resistance, channel to ambient (t = 10 s) (Note3) | $R_{th} (ch-a)$ | 62.5 | °C/W |

Note 3: Drive operation: Mounted on glass epoxy board [25.4mm × 25.4mm × 0.8mm]
(with the two devices operating)

Note 4: Active clamp capability (single pulse) test condition
 $V_{DD} = 25\text{ V}$, Starting $T_{ch} = 25^\circ\text{C}$, $L = 10\text{ mH}$, $I_{AR} = 1\text{ A}$, $R_G = 25\ \Omega$

Note 5: Repetitive rating, pulse width limited by maximum channel temperature.

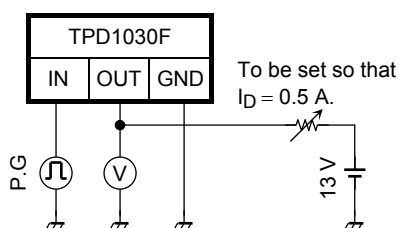
Electrical Characteristics

| Characteristics | Symbol | Test Circuit | Test Condition | Min | Typ. | Max | Unit | |
|--|----------------|--------------|---|---|------|------|------|--|
| Drain-source clamp voltage | $V_{(CL) DSS}$ | — | $T_{ch} = -40 \sim 110^\circ\text{C}$ $V_{IN} = 0\text{ V}$, $I_D = 1\text{ mA}$ | 40 | — | 60 | V | |
| Input threshold voltage | V_{th} | — | $T_{ch} = 25^\circ\text{C}$ | 1.0 | — | 2.8 | V | |
| | | | $T_{ch} = -40 \sim 110^\circ\text{C}$ | | | | | $V_{DS} = 13\text{ V}$, $I_D = 10\text{ mA}$ |
| Protective circuit operation input voltage range | $V_{IN (opr)}$ | — | $T_{ch} = 25^\circ\text{C}$ | — | 3 | — | 7 | V |
| | | | $T_{ch} = -40 \sim 110^\circ\text{C}$ | — | 3.5 | — | 7 | |
| Drain cut-off current | I_{DSS} | — | $T_{ch} = 25^\circ\text{C}$ | $V_{IN} = 0\text{ V}$, $V_{DS} = 30\text{ V}$ | — | — | 10 | μA |
| | | | $T_{ch} = -40 \sim 110^\circ\text{C}$ | | — | — | 100 | |
| Input current | $I_{IN (1)}$ | — | $T_{ch} = 25^\circ\text{C}$ | $V_{IN} = 5\text{ V}$, at normal operation | — | — | 300 | μA |
| | $I_{IN (2)}$ | — | $T_{ch} = -40 \sim 110^\circ\text{C}$ | $V_{IN} = 5\text{ V}$, when overcurrent protective circuit is actuated | — | — | 350 | |
| Drain-source on resistance | $R_{DS (ON)}$ | — | $T_{ch} = 25^\circ\text{C}$ | $V_{IN} = 5\text{ V}$, $I_D = 0.5\text{ A}$ | — | 0.44 | 0.6 | Ω |
| | | | $T_{ch} = -40 \sim 110^\circ\text{C}$ | | — | — | 0.9 | |
| Overtemperature protection | T_S | — | — | $V_{IN} = 5\text{ V}$ | 150 | 160 | — | °C |
| Overcurrent protection | I_S | — | $T_{ch} = 25^\circ\text{C}$ | $V_{IN} = 5\text{ V}$ | 1 | 1.8 | — | A |
| | | | $T_{ch} = -40 \sim 110^\circ\text{C}$ | | 0.7 | — | — | |
| Switching time | t_{ON} | 1 | $T_{ch} = 25^\circ\text{C}$ | $V_{DD} = 13\text{ V}$, $V_{IN} = 0\text{ V}/5\text{ V}$, $I_D = 0.5\text{ A}$ | — | — | 30 | μs |
| | | | $T_{ch} = -40 \sim 110^\circ\text{C}$ | | — | — | 60 | |
| | t_{OFF} | | $T_{ch} = 25^\circ\text{C}$ | | — | — | 60 | |
| | | | $T_{ch} = -40 \sim 110^\circ\text{C}$ | | — | — | 90 | |
| Source-drain diode forward voltage | V_{DSF} | — | $T_{ch} = 25^\circ\text{C}$ | $I_F = 1\text{ A}$, $V_{IN} = 0\text{ V}$ | — | — | 1.7 | V |

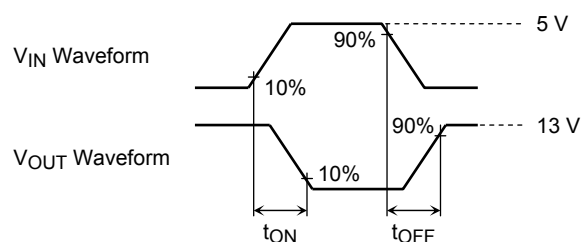
Test Circuit 1

Switching time measuring circuit

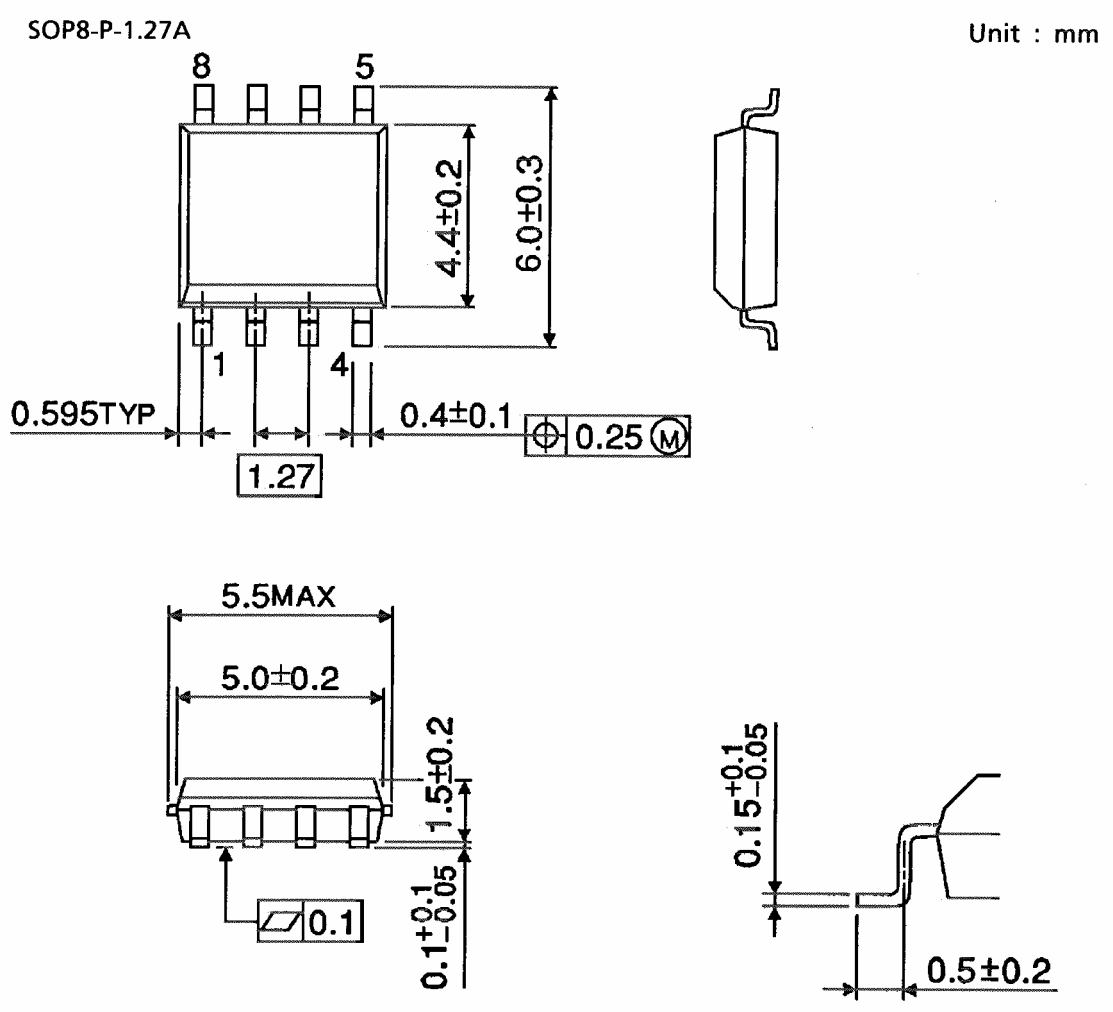
Test Circuit



Measured Waveforms



Package Dimensions



Weight: 0.08 g (typ.)

RESTRICTIONS ON PRODUCT USE

20070701-EN

- The information contained herein is subject to change without notice.
- TOSHIBA is continually working to improve the quality and reliability of its products. Nevertheless, semiconductor devices in general can malfunction or fail due to their inherent electrical sensitivity and vulnerability to physical stress. It is the responsibility of the buyer, when utilizing TOSHIBA products, to comply with the standards of safety in making a safe design for the entire system, and to avoid situations in which a malfunction or failure of such TOSHIBA products could cause loss of human life, bodily injury or damage to property.
In developing your designs, please ensure that TOSHIBA products are used within specified operating ranges as set forth in the most recent TOSHIBA products specifications. Also, please keep in mind the precautions and conditions set forth in the "Handling Guide for Semiconductor Devices," or "TOSHIBA Semiconductor Reliability Handbook" etc.
- The TOSHIBA products listed in this document are intended for usage in general electronics applications (computer, personal equipment, office equipment, measuring equipment, industrial robotics, domestic appliances, etc.). These TOSHIBA products are neither intended nor warranted for usage in equipment that requires extraordinarily high quality and/or reliability or a malfunction or failure of which may cause loss of human life or bodily injury ("Unintended Usage"). Unintended Usage include atomic energy control instruments, airplane or spaceship instruments, transportation instruments, traffic signal instruments, combustion control instruments, medical instruments, all types of safety devices, etc.. Unintended Usage of TOSHIBA products listed in this document shall be made at the customer's own risk.
- The products described in this document shall not be used or embedded to any downstream products of which manufacture, use and/or sale are prohibited under any applicable laws and regulations.
- The information contained herein is presented only as a guide for the applications of our products. No responsibility is assumed by TOSHIBA for any infringements of patents or other rights of the third parties which may result from its use. No license is granted by implication or otherwise under any patents or other rights of TOSHIBA or the third parties.
- Please contact your sales representative for product-by-product details in this document regarding RoHS compatibility. Please use these products in this document in compliance with all applicable laws and regulations that regulate the inclusion or use of controlled substances. Toshiba assumes no liability for damage or losses occurring as a result of noncompliance with applicable laws and regulations.



Поставка электронных компонентов

Юридический адрес организации:
198099, г. Санкт-Петербург, ул. Калинина, дом 2, кор. 4, лит А.
Фактический адрес организации:
198099, г. Санкт-Петербург, ул. Калинина, дом 2, кор. 4, лит А.
ИНН 780277764
КПП 780501001
Р/С 40702810422510004035 ФАКБ "АБСОЛЮТ БАНК" (ЗАО) в Санкт-Петербурге К/С 30101810900000000703
БИК 044030703
Телефон: 8 (812) 309-44-11 (многоканальный)
Факс: 8 (812) 309-44-11
Электронная почта: sales@timechips.ru
Сайт: timechips.ru

Информационное письмо

Компания «ТаймЧипс» - одна из наиболее динамично развивающихся компаний в сфере поставок электронных компонентов. Мы поставляем широкую номенклатуру электронных компонентов отечественных и импортных производителей, как напрямую, так и с крупных мировых складов, позволяющих охватить выборочную номенклатуру более 300 брендов, а также специализируемся на поставках дисплеев и является официальным дистрибьютором компании Shenzhen Startek Electronic Technology Co, на территории Российской Федерации.

Наличие собственной логистики позволяет в кратчайшие сроки доставлять товар нашим клиентам. В нашей компании имеется Конструкторский отдел, где наши специалисты проводят технические консультации клиентов, квалифицированную поддержку и помощь российским разработчикам. Осуществляем Поставки импортной продукции под контролем ВП МО РФ, на предприятия Оборонно-промышленного комплекса России. Система менеджмента качества компании соответствует требованиям ГОСТ ISO 9001-2011.

Благодаря нацеленности на результат, мы уверенно занимаем новые позиции на рынке, заинтересовывая Клиента не только актуальными ценами и гибким подходом, но и постоянным вниманием.

Миссия – обеспечение долгосрочного и взаимовыгодного партнерства с клиентами.

Наша цель – Обеспечение клиентам самого широкого ассортимента электронных компонентов и бесперебойности поставок.

Мы - это развитие! Мы задаем темп! Мы разные, но вместе! Мы работаем для вас!

Так же имеем прямые поставки от производителей:

TAI-SAW Пав-компоненты (www.taisaw.com)

TRANSCOM СВЧ-компоненты (www.transcominc.com.tw)

Mini Circuits ВЧ-СВЧ-компоненты (minicircuits.com)

SAMTEC- разъемы (www.samtec.com)

4Star Разъемы РЧ (Даташиты по продукции 4Star, которые Вы сможете загрузить по этой ссылке: <https://yadi.sk/i/tPjnmGGrpmbYj>)

ULNION Преобразователи напряжения (converterdc.com/)

Отличные рекомендации на рынке, уверенность в качестве поставляемой продукции делают нас надежными партнерами для наших клиентов.

«ТаймЧипс» - это:

- Гарантия качества поставляемой продукции;
- Широкий ассортимент;
- Минимальные сроки поставок;
- Техническая поддержка;
- Подбор комплектации;
- Индивидуальный подход;
- Гибкие цены.

Модули, микросхемы, пассивные компоненты, Xilinx (XC), Altera (EP,EPF, EPM) и силовая электроника – это наши ведущие позиции, на поставку которых мы гарантированно дадим Вам самые выгодные предложения!

В структуру компании так же входит конструкторский отдел, который помогает разработчикам и конструкторам в решении следующих задач:

- Оценка стоимости проекта по компонентам;
- Подбор оптимального решения при выборе компонента;
- Подбор аналогов;
- Техническая поддержка;
- Консультации у производителей;
- Поставка прототипов;

С Уважением, Чернов Павел.

Руководитель отдела продаж ООО "ТАЙМЧИПС"

Официальный дистрибьютор Shenzhen Startek Electronic Technology Co.,Ltd в России (USB Display Modules , LED Displays, Serial Modules).

<http://www.timechips.ru/>

<http://lcd-timechips.ru/>

Телефон: +7 (812) 309-44-11 доб. 141

Факс: +7 (812) 309-44-11 доб. 152

Моб. Тел. +7 (905) 232-40-65

Skype: time.chips5

Электронная почта: manager1@timechips.ru
