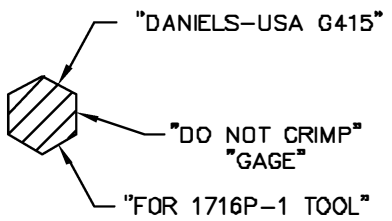
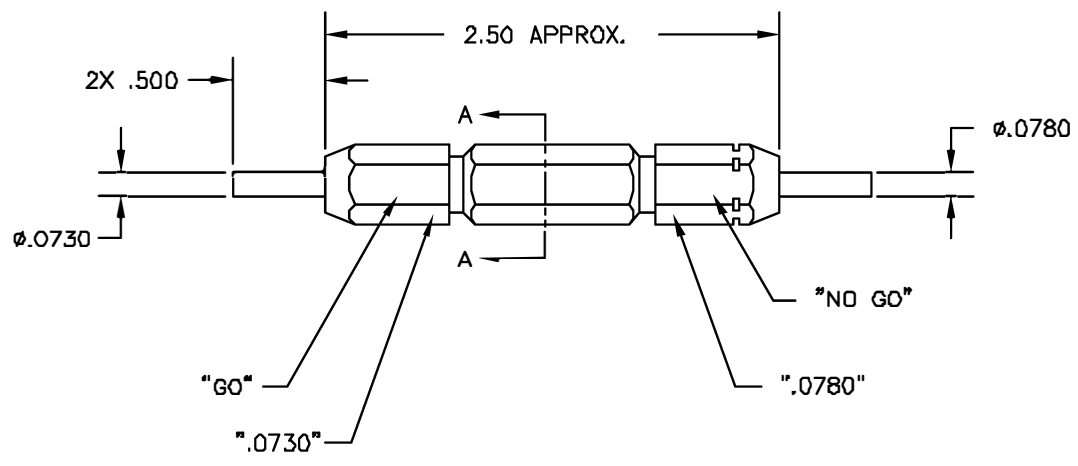


REVISIONS				
REV. SYM.	E.C.D. NUMBER	DESCRIPTION	BY DATE	APP'D DATE
1		ORIGINAL RELEASE	MH 12/10/01	RRR 12/10/01



SECTION A-A



**UNCONTROLLED DOCUMENT
 WILL NOT BE UPDATED**

RESTRICTED & CONFIDENTIAL CONFIDENTIAL PROPERTY OF DANIELS MANUFACTURING CORP. NOT TO BE DISCLOSED TO OTHERS, REPRODUCED OR USED FOR ANY OTHER PURPOSE, EXCEPT AS AUTHORIZED IN WRITING BY DANIELS MANUFACTURING. MUST BE RETURNED TO DANIELS MANUFACTURING CORP. ON COMPLETION OF ORDER OR OTHER PURPOSE FOR WHICH LENT.	MATERIAL HEAT TREAT FINISH	ITEM URM: J. JOYCE G-K'D: RRR APP'D: APP'D:	PART NO. DATE: 12/10/01 DATE: 12/10/01 DATE:	QTY. DATE:	DESCRIPTION/REMARKS DMC DANIELS MANUFACTURING CORP. ORLANDO, FLORIDA GAGE 11851
		TITLE GO/NO-GO GAGE ENVELOPE DRAWING			WHERE USED SIZE: B SCALE: NTS CAD P/N: G415-ENV SHEET: 1 OF 1 POSTING: P/N G415-ENV REV: 1
DO NOT SCALE DRAWING					