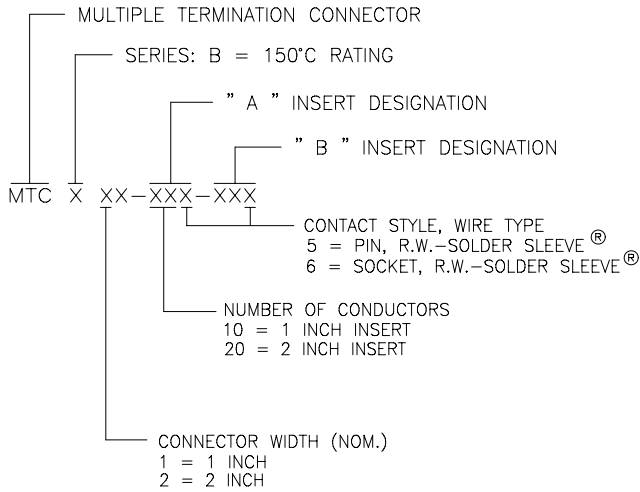


NOTES: \triangle PART NUMBER VARIABLE:



2. MATERIAL:

- A) PIN/SOCKET INSERT HIGH GRADE POLYARYLENE THERMOPLASTIC.
- B) PIN CONTACT COPPER ALLOY PER QQ-B-613 OR QQ-C-502.
- C) SOCKET CONTACT COPPER ALLOY PER QQ-B-750.
- D) INTERFACIAL SEAL SILICONE ELASTOMER PER ZZ-R-765.
- E) SolderSleeve® REFER TO RAYCHEM DRAWING CTA-0026 AND CTA-0027 FOR DETAILS.

3. FINISH:

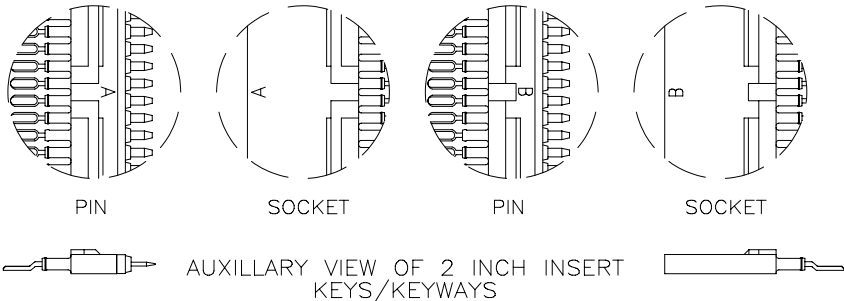
- A) PIN/SOCKET INSERT AS MOLDED.
- B) PIN/SOCKET CONTACT GOLD PLATE PER MIL-G-45204, CLASS 1.
- C) CONTACT TAIL SOLDER COATED PER ANSI/J-STD-006 (Sn95Sb05)

\triangle NUMBER ONE POSITION IS MARKED AS SHOWN IN CONTRASTING COLOR ON INTERFACE.

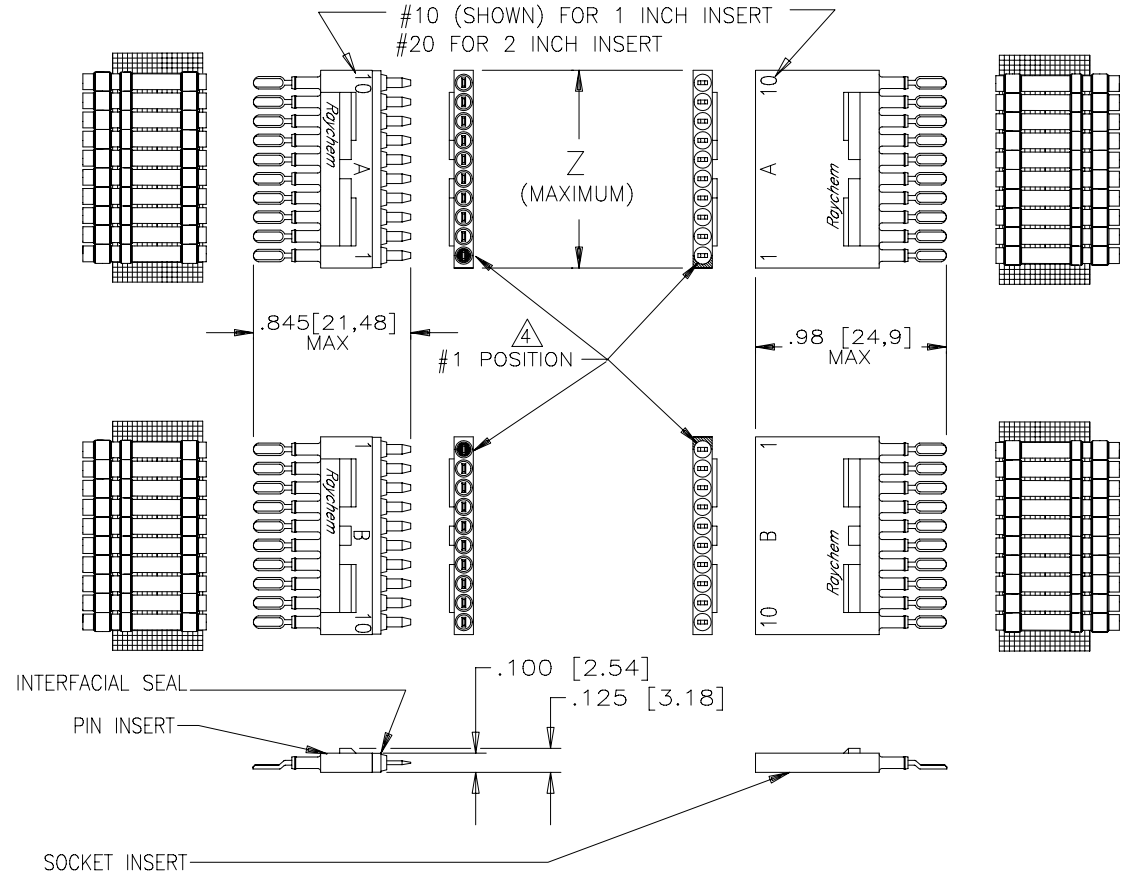
5. THIS INSERT MEETS THE REQUIREMENTS OF RAYCHEM SPECIFICATION C-6111.

**If this document is printed it becomes uncontrolled.
 Check with the web for latest revision.**

SIZE		WEIGHT MAXIMUM		DIM. "Z"
		LBS.	GRAMS	
1 INCH INSERT	PIN	0.0047	2.132	1.05 [26,7]
	SOC.	0.0054	2.449	
2 INCH INSERT	PIN	0.0090	4.082	2.05 [52,1]
	SOC.	0.0109	4.944	



REVISIONS			
LTR	DESCRIPTION	DATE	APPROVED
N/C	INITIAL RELEASE PER ECN T-24356	3/2/2000	M.HIGGY
A	REVISED PER DCR# T-28236	10-12-2000	M.HIGGY



SPECIFICATION CONTROL DRAWING

UNLESS OTHERWISE SPECIFIED DIMENSIONS ARE IN INCHES. METRIC DIMENSIONS ARE IN BRACKETS.	DRAWN	ZS.ORBAN 2/22/2000	Raychem	
	CHECKED		TITLE	
DECIMALS .XXX ±.005 .XX ±	APPROVED		KIT, A & B INSERT ASSEMBLY SOCKET AND PIN, 1" & 2" FOR ROUND WIRE, 150°C WITH SOLDER PAK®	
	APPROVED	M.HIGGY 3/2/2000	SIZE	CODE IDENT. NO.
ANGLES .X ±	CAD NAME	T28236.DWG	C	06090
WEIGHT: MAXIMUM SEE TABULATION	THIRD ANGLE PROJECTION		DWG. NO.	MTCBXX-XXX-XXX
			REV	A
			DO NOT SCALE THIS DRAWING	

SHEET 1 OF 1
 MTCBXX-XXX-XXX
 DWG. NO.