

**Mini-Mac Applicator
Rear Feed**

**Application Tooling
Specification Sheet**

Order No. 63802-6100

FEATURES

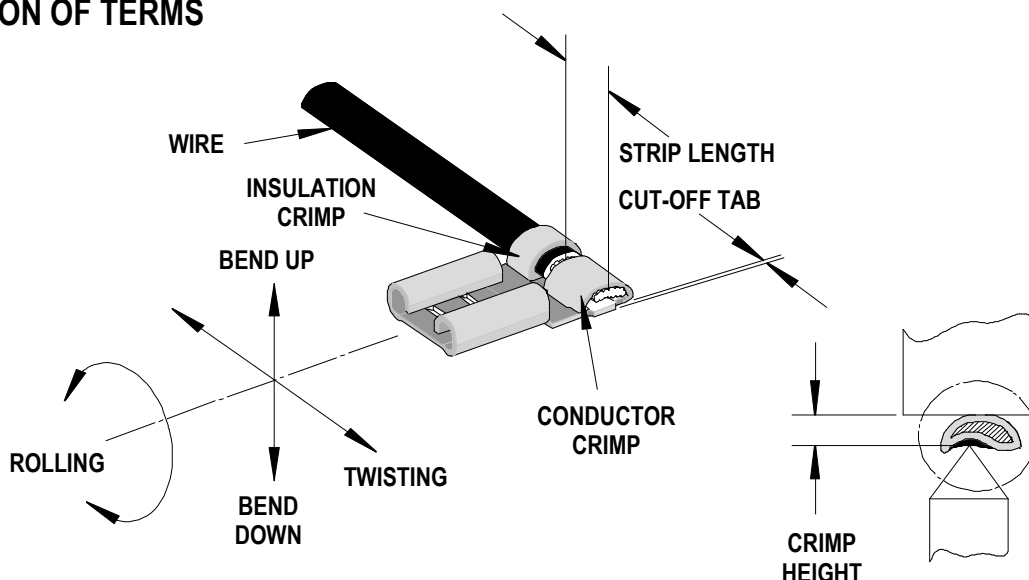
- Directly adapts to most automatic wire processing machines
- Applicator designed to industry standard mounting and shut height 135.80mm (5.346")
- Quick set-up time; plus the crimp height, track and feed adjustments can be set without removing the applicator from the press
- Fine adjustment allows users to achieve target with little effort by adjusting in increments of .015mm (.0006") for conductor crimp height and .063mm (.0025") for insulation height
- Independent adjustment rings allow users to quickly adjust the conductor or insulation crimp height without affecting each other

SCOPE

Products: Flag Avikrimp™ and InsulKrimp™ Quick Disconnect Female Terminals, 10-12 AWG.

Terminal Order No.	Terminal Engineering No.	Wire Size		Tab Size		Insulation Diameter Maximum		Strip Length	
		AWG	mm ²	mm	In.	mm	In.	mm	In.
19006-0070	C5211Z	10-12	5.00-3.30	6.35 by 0.81	.250 by .032	6.65	.262	8.70	.344
19007-0041	C2211Z	10-12	5.00-3.30	6.35 by 0.81	.250 by .032	6.65	.262	8.70	.344

DEFINITION OF TERMS

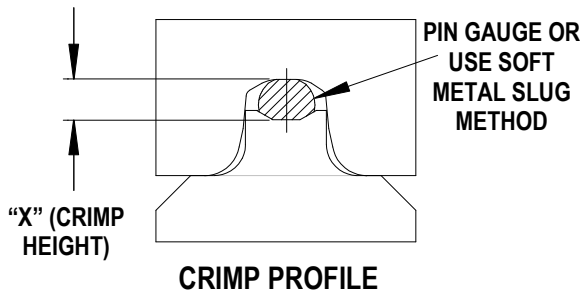


CRIMP SPECIFICATIONS

Terminal Order No.	Terminal Eng. No.	Wire Size		Conductor Crimp Height						Pull Force Minimum	
				Mean		Go		No Go			
		AWG	mm ²	mm	In.	mm	In.	mm	In.	N	Lb.
19006-0070	C5211Z	10	5.00	3.17	.125	3.09	.122	3.25	.128	356.0	80.0
		12	3.30	3.17	.125	3.09	.122	3.25	.128	311.5	70.0
19007-0041	C2211Z	10	5.00	3.17	.125	3.09	.122	3.25	.128	356.0	80.0
		12	3.30	3.17	.125	3.09	.122	3.25	.128	311.5	70.0

► Tool Qualification Notes:

1. Pull Force should be measured with no influence from the insulation crimp.
2. The above specifications are guidelines to an optimum crimp.



Use gauge pins or soft metal slug (solder) method to measure the "X" dimension. Verify tooling crimp height calibration by referring to the Go/No Go dimensions shown in the chart below.

Molex does not sell gauge pins contact your local industrial supplier.

PARTS LIST

Rear Feed Mini-Mac Applicator 63802-6100				
Item No.	Order No.	Engineering No.	Description	Quantity
Perishable Tooling				
	63802-6170	63802-6170	Tool Kit (All "Y" Items)	REF
1	63801-5510	63801-5510	Conductor Punch (E2 Die)	1 Y
2	19803-5161	19803-5161	Conductor Anvil (E1 Die)	1 Y
3	63801-5610	63801-5610	Insulation Punch (I2 Die)	1 Y
4	19803-5171	19803-5171	Insulation Anvil (I1 Die)	1 Y
5	19229-0120	23650-43	Cutter Housing	1 Y
6	19229-0121	23650-44	Cutter Plunger	1 Y
Other Components				
7	19229-0095	23650-45	Cutter Back Plate	1
8	19230-0038	24854-08	Feed Finger	1
9	19230-0263	19230-0263	Shoulder Bushing	1
10	19230-0101	24854-09	Guide Rail	1
11	19230-0176	19230-0176	Guide and Hold Down	1
12	19011-0186	19011-0186	O-ring	2
13	19250-0038	24855-23	Compression Spring	1
14	63801-2685	63801-2685	Terminal Drag Assembly	1
15	63801-7701	63801-7701	Cutter Striker	1
16	63803-5134	63803-5134	Conductor Bushing	1
Frame				
17	19230-0084	24854-05	Slide (Terminal Track)	1
18	63801-2600	63801-2600	Rear Feed Frame	1
19	63801-2603	63801-2603	Base	1
Hardware				
20	N/A	N/A	M3 by 10 Long SHCS	2**
21	N/A	N/A	M4 by 8 Long SHCS	6**
22	N/A	N/A	M4 by 8 Long BHCS	1**
23	N/A	N/A	M4 by 10 Long BHCS	1**
24	N/A	N/A	M4 by 12 Long SHCS	3**
25	N/A	N/A	M6 by 10 Long BHCS	6**
26	N/A	N/A	M8 by 20 Long BHCS	1**
27	N/A	N/A	6mm by 10 Long Dowel Pin	4**
** Available from an industrial supply company such as MSC (1-800-645-7270).				

Assembly Drawing

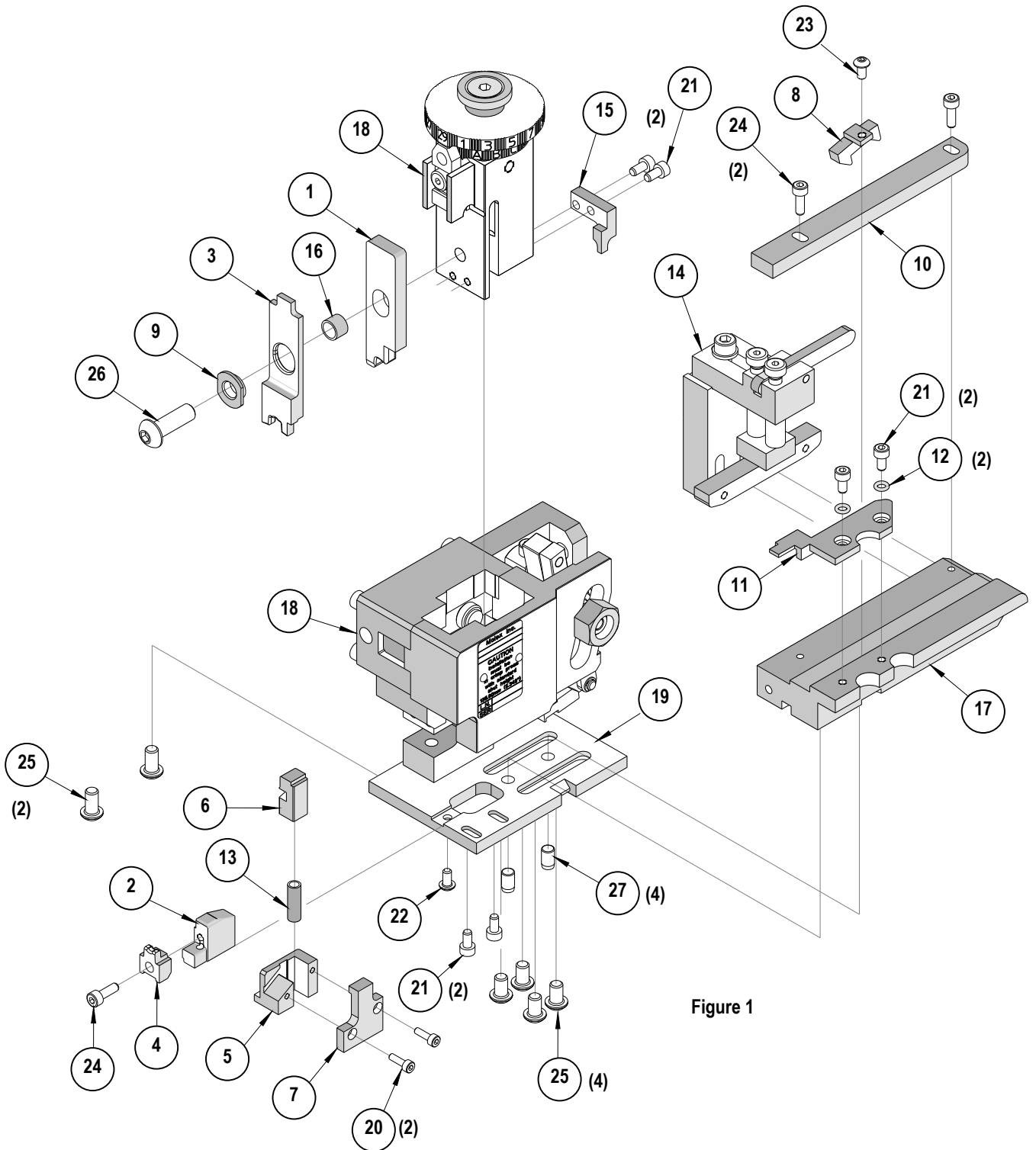


Figure 1

NOTES

1. Molex recommends an extra perishable tooling kit be maintained at your facility.
2. Verify tooling alignment by manually cycling the press and Applicator before crimping under power. Check that all screws are tight.
3. Slugs, Terminals, Dirt and Oil should be kept clear of work area.
4. Wear safety glasses at all times.
5. For recommended maintenance refer to the Mini-Mac Manual.

CAUTION: This applicator should only be used in a press with a shut height of 135.80 mm (5.346"). Tooling damage could result at a lower setting.

CAUTION: To prevent injury never operate this Applicator without the guards supplied with the press or wire-processing machine in place. Reference the press or wire processing manufacturer's instruction manual.

CAUTION: Molex crimp specifications are valid only when used with Molex terminals, applicators and tooling.

Wear Safety Glasses At All Times.

<http://www.molex.com>