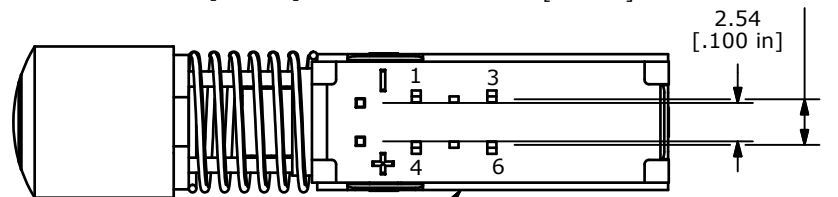
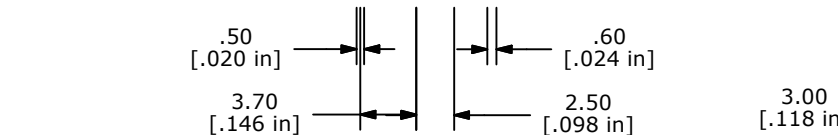
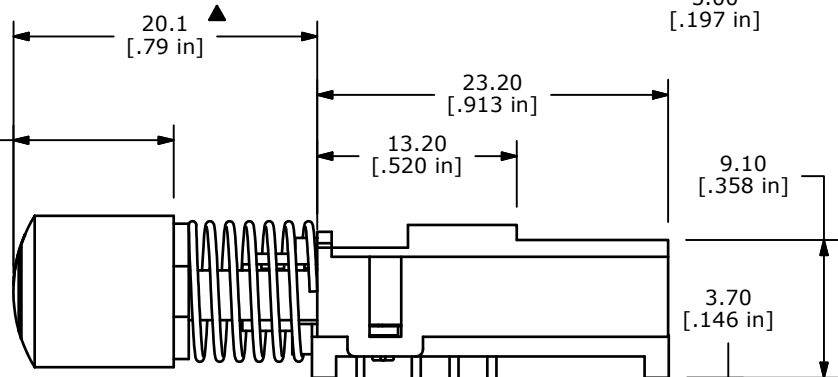
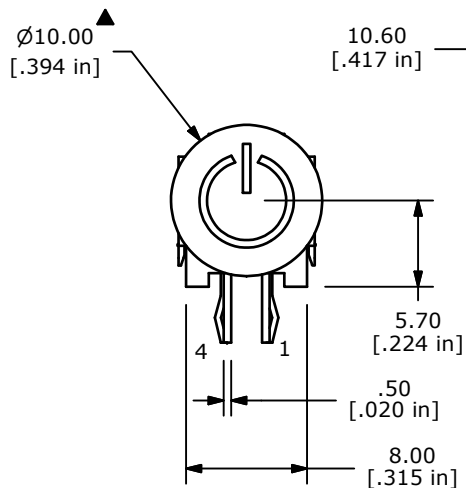
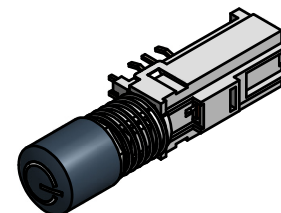




▲ R05 BUTTON  
BLACK, POWER SYMBOL  
(B410002)



▲ WBL2UOAGYQ  
(B400016)



- NOTES:
1. ALL DIMENSIONS IN MM [INCH]
  2. GENERAL TOLERANCE: x.x=±0.4mm  
x.xx=±0.25mm
  3. RATING: DC 30V, 0.3A
  - ▲ 4. OPERATING FORCE: 200±100gf
  - ▲ 5. TRAVEL: 3.3mm FULL TRAVEL
  6. LIFE CYCLES: 10,000 CYCLES
  7. OPERATING TEMPERATURE: -20°C TO 70°C
  8. CONTACT RESISTANCE: 20mΩ MAX.
  9. INSULATION RESISTANCE: 100MΩ MIN@ 500VDC.
  - ▲ 10. LED COLOR: GREEN-YELLOW BI-COLOR
  11. ▲ DENOTES CRITICAL PARAMETER.
  12. 2002/95/EC (RoHS) COMPLIANT.

| LED SPECS                 | UNITS | GREEN           | YELLOW            |
|---------------------------|-------|-----------------|-------------------|
| FORWARD CURRENT           | mA    | 20              | 20                |
| FORWARD VOLTAGE @20mA     | V     | 2.1 Typ-2.5 Max | 2.0 Typ - 2.5 Max |
| LUMINOUS INTENSITY @ 20mA | MCD   | 70 Typ          | 150 Typ           |



TITLE WBL2UOAGYQR05BLKPWR

|     |        |                        |         |    |
|-----|--------|------------------------|---------|----|
| A   | 21777  | Release For Production | 1/30/15 | rc |
| REV | PCR NO | DESCRIPTION            | DATE    | BY |

|       |           |    |         |     |
|-------|-----------|----|---------|-----|
| SCALE | DATE      | DR | DWG     | REV |
| 2     | 1/30/2015 | rc | XB0946P | A   |

THE INFORMATION CONTAINED IN THIS DOCUMENT IS PROPRIETARY TO E-SWITCH AND IS NOT TO BE COPIED OR TRANSFERRED