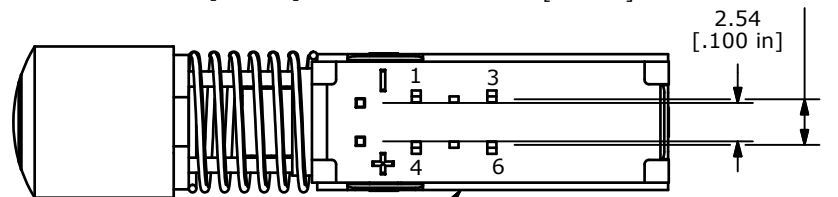
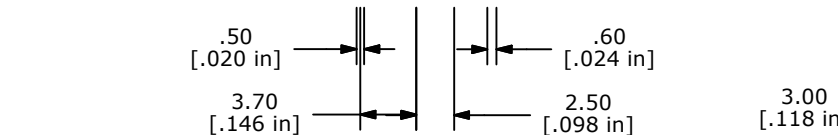
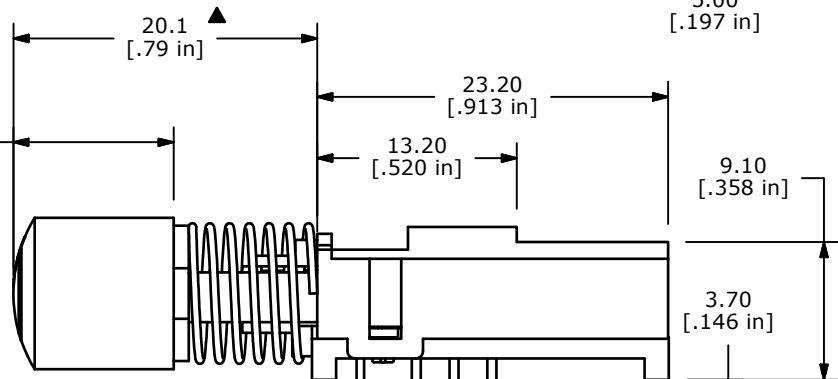
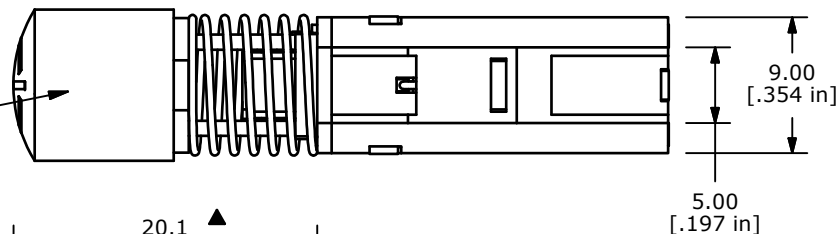
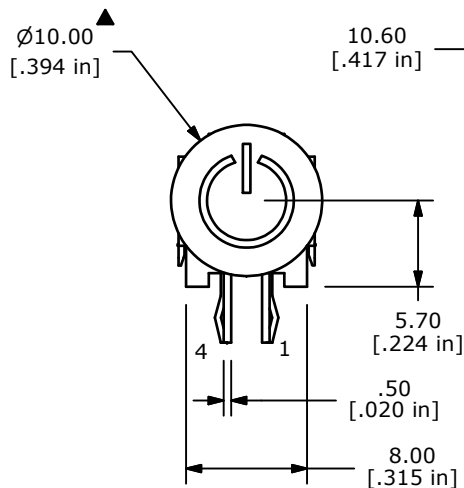
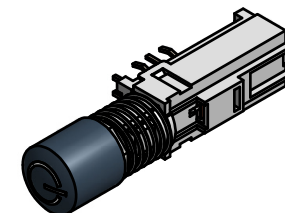


▲ R05 BUTTON
BLACK, POWER SYMBOL
(B410002)



▲ WBL2UOAGYQ
(B400016)



NOTES:

1. ALL DIMENSIONS IN MM [INCH]
2. GENERAL TOLERANCE: x.x=±0.4mm
x.xx=±0.25mm
3. RATING: DC 30V, 0.3A
- ▲ 4. OPERATING FORCE: 200±100gf
- ▲ 5. TRAVEL: 3.3mm FULL TRAVEL
6. LIFE CYCLES: 10,000 CYCLES
7. OPERATING TEMPERATURE: -20°C TO 70°C
8. CONTACT RESISTANCE: 20mΩ MAX.
9. INSULATION RESISTANCE: 100MΩ MIN@ 500VDC.
- ▲ 10. LED COLOR: GREEN-YELLOW BI-COLOR
11. ▲ DENOTES CRITICAL PARAMETER.
12. 2002/95/EC (RoHS) COMPLIANT.

| LED SPECS | UNITS | GREEN | YELLOW |
|---------------------------|-------|-----------------|-------------------|
| FORWARD CURRENT | mA | 20 | 20 |
| FORWARD VOLTAGE @20mA | V | 2.1 Typ-2.5 Max | 2.0 Typ - 2.5 Max |
| LUMINOUS INTENSITY @ 20mA | MCD | 70 Typ | 150 Typ |



TITLE WBL2UOAGYQR05BLKPWR

| | | | | |
|-----|--------|------------------------|---------|----|
| A | 21777 | Release For Production | 1/30/15 | rc |
| REV | PCR NO | DESCRIPTION | DATE | BY |

| | | | | |
|-------|-----------|----|---------|-----|
| SCALE | DATE | DR | DWG | REV |
| 2 | 1/30/2015 | rc | XB0946P | A |

THE INFORMATION CONTAINED IN THIS DOCUMENT IS PROPRIETARY TO E-SWITCH AND IS NOT TO BE COPIED OR TRANSFERRED