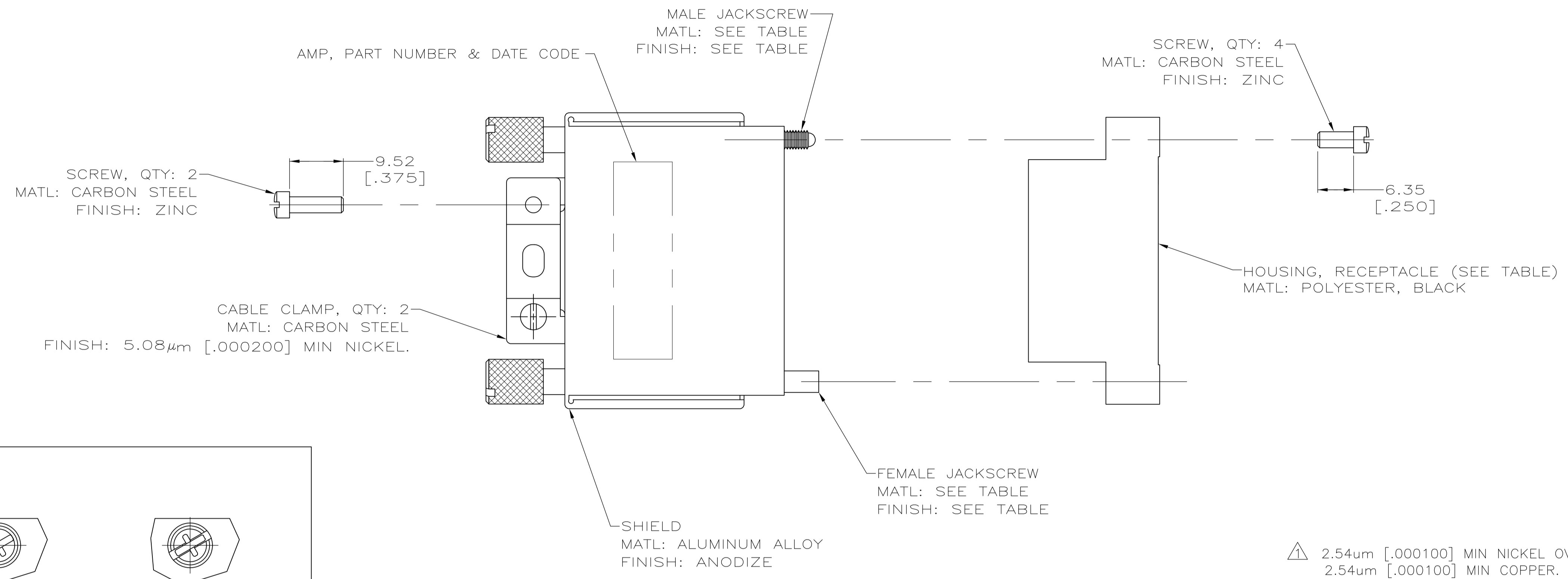
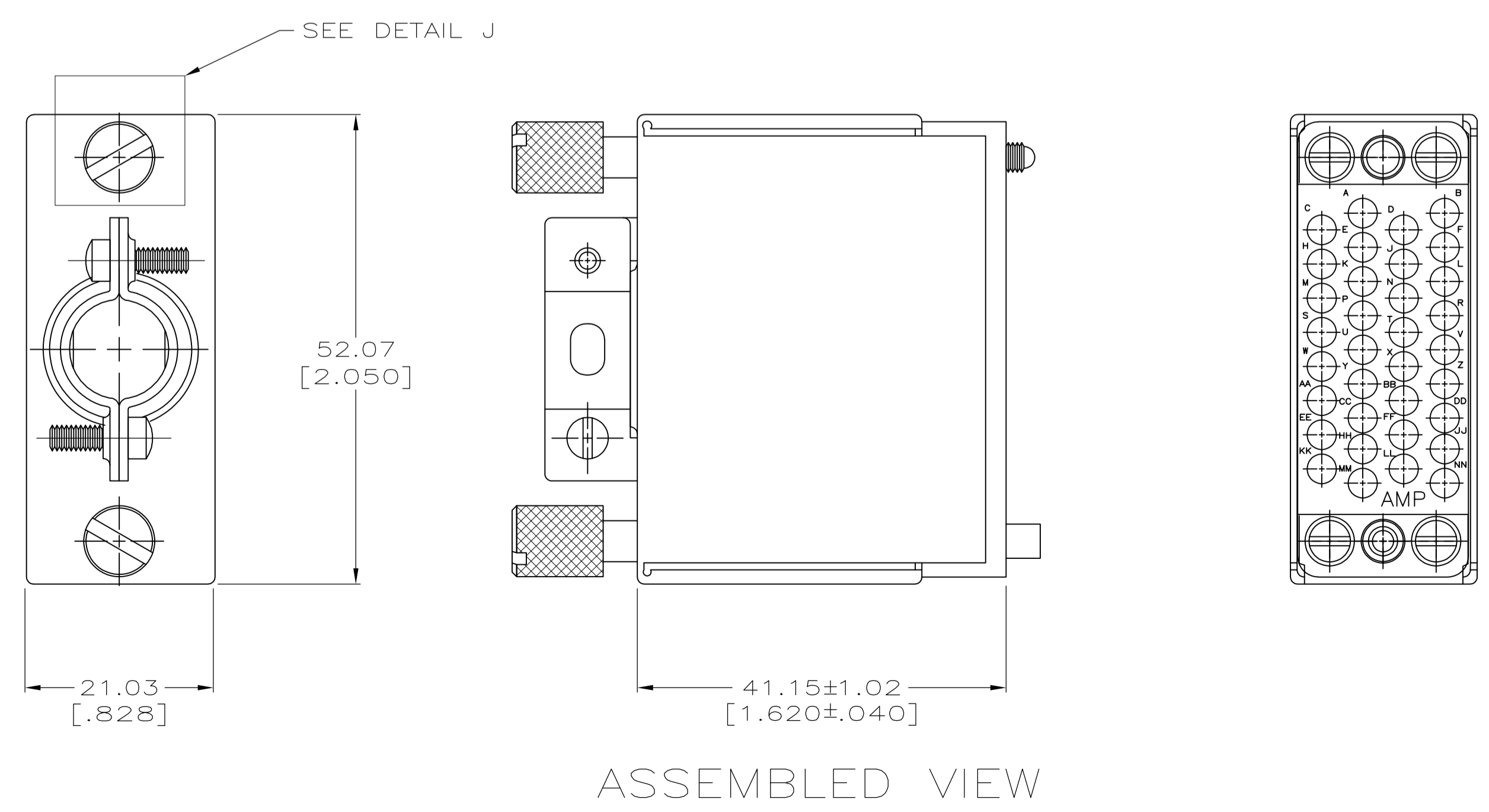
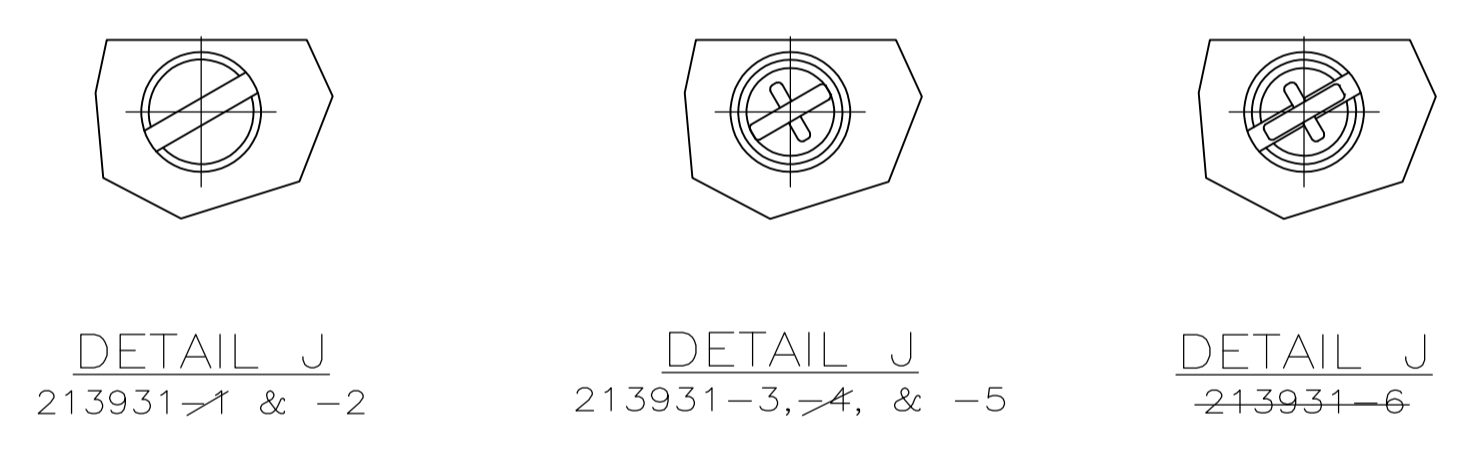


LOC		DIST		REVISIONS			
P	LTR	DESCRIPTION	DATE	DMN	APVD		
K1		REVISED PER ECO-06-13342	6/15/06	SS	GS		
K2		REVISED PER ECO-09-021826	07JAN10	KK	AEG		



△ 2.54µm [.000100] MIN NICKEL OVER  
2.54µm [.000100] MIN COPPER.

△ OBSOLETE PARTS: OBSOLETE CIS STREAMLINING PER D.RENAUD/D.SINISI



△	OBSOLETE	YES	7.62-11.43 [.300-.450]	BULK	-	STAINLESS STEEL	213931-9-
△	OBSOLETE	YES	11.05-13.84 [.435-.545]	INDIVIDUAL	-	STAINLESS STEEL	213931-8-
△	OBSOLETE	YES	11.05-13.84 [.435-.545]	BULK	△	ZINC	213931-7-
△	OBSOLETE	NO	11.05-13.84 [.435-.545]	INDIVIDUAL	△	ZINC	213931-6
		YES	7.62-11.43 [.300-.450]	INDIVIDUAL	△	ZINC	213931-5
△	OBSOLETE	NO	11.05-13.84 [.435-.545]	INDIVIDUAL	△	ZINC	213931-4-
		YES	11.05-13.84 [.435-.545]	INDIVIDUAL	△	ZINC	213931-3
		YES	7.62-11.43 [.300-.450]	INDIVIDUAL	-	STAINLESS STEEL	213931-2
△	OBSOLETE	YES	11.05-13.84 [.435-.545]	BULK	-	STAINLESS STEEL	213931-1-
	RECEPTACLE HOUSING		CABLE RANGE DIA	PACKAGING	FINISH	MATERIAL	PART NUMBER

THIS DRAWING IS A CONTROLLED DOCUMENT.

DIMENSIONS: mm [INCHES]

TOLERANCES UNLESS OTHERWISE SPECIFIED:

0 PLC	± .00
1 PLC	± .01
2 PLC	± 0.76 [0.30]
3 PLC	± .01
4 PLC	± .02
ANGLES	± .01

MATERIAL: SEE CALLOUTS

FINISH: SEE CALLOUTS

APPROVED: D. BROCKWAY, C. DORWART, M. MCALONIS

NAME: CONNECTOR KIT, UNASSEMBLED, RECEPTACLE, 34 POSITION, M SERIES

SIZE: A1

SCALE: 2:1

SHEET: 1 of 1

REV: K2