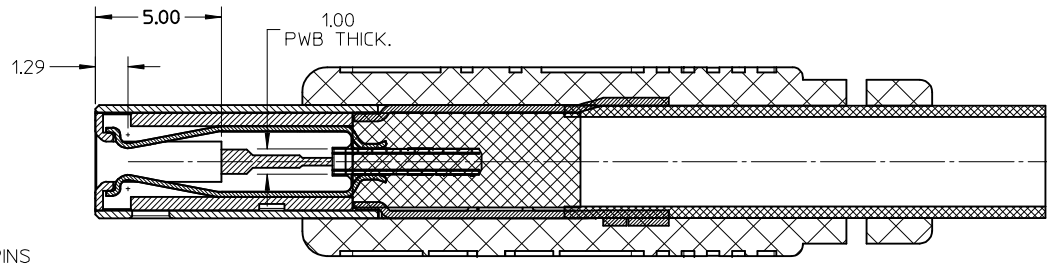
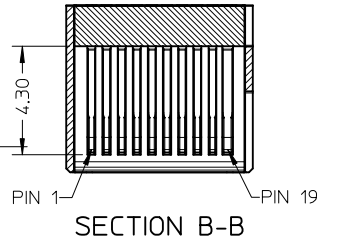


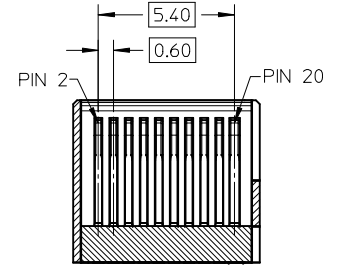
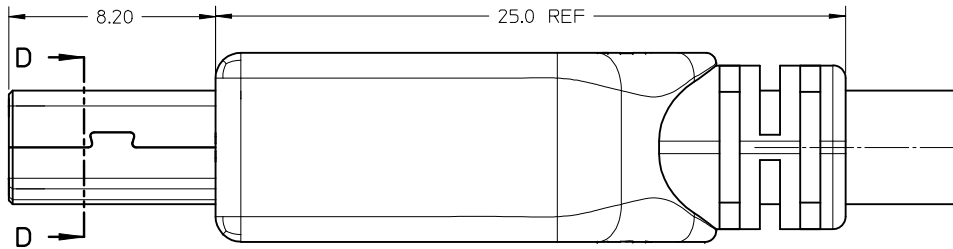
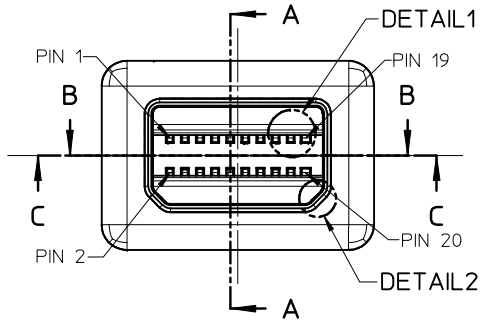
DETAIL1
SIGNAL PINS POWER AND RETURN PINS



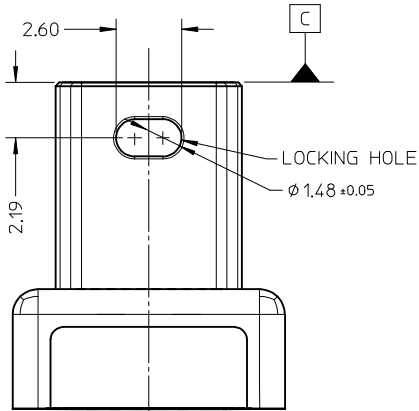
SECTION A-A



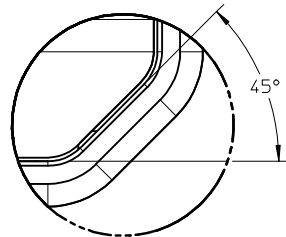
SECTION B-B



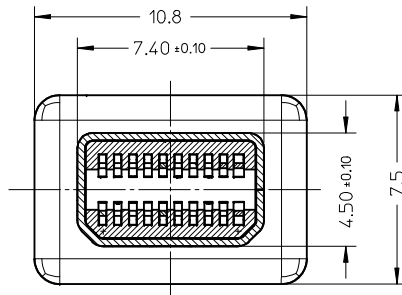
SECTION C-C



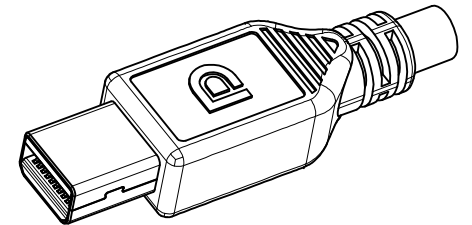
BOTTOM VIEW



DETAIL2



SECTION D-D

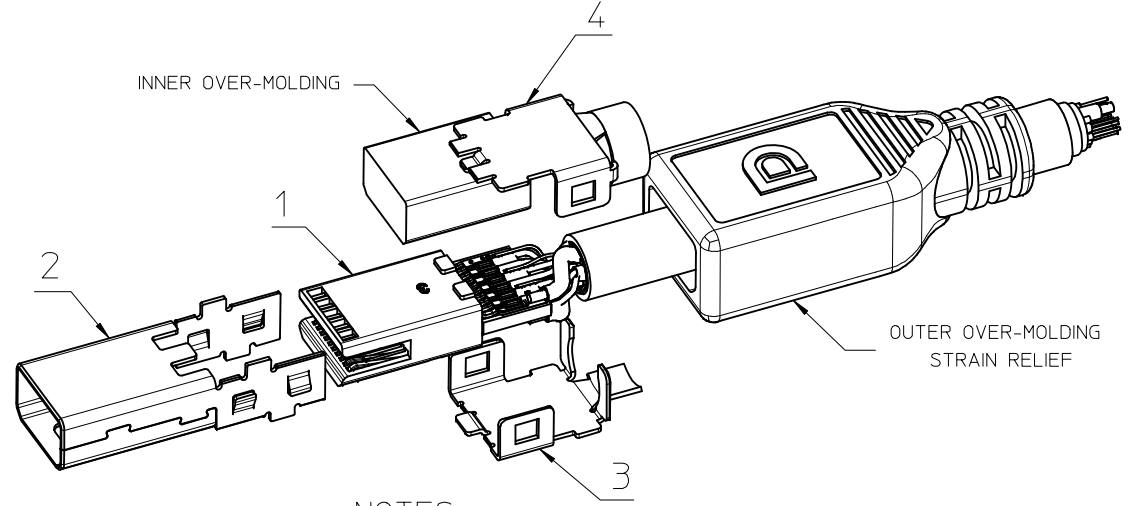


NEW PRODUCT EC NO: SH2010-0088 DRINKWEI 2009/09/14 CHYKD-RZHANG 2009/09/14 APPR: XJ.SONG 2009/09/14	QUALITY SYMBOLS ▽=0 ◻=0	GENERAL TOLERANCES (UNLESS SPECIFIED)		DIMENSION STYLE MM ONLY		SCALE 5:1	DESIGN UNITS METRIC	THIRD ANGLE PROJECTION	
		4 PLACES ± --- ± --- 3 PLACES ± --- ± --- 2 PLACES ± 0.25 ± --- 1 PLACE ± 0.30 ± ---	mm INCH ± --- ± --- ± 0.25 ± --- ± 0.30 ± ---	DRAWN BY KLAUS WEI	DATE 2008/03/31	TITLE MINI DISPLAY PORT PLUG			
		ANGULAR ± -- °		CHECKED BY ROST ZHANG	DATE 2008/03/31	MOLEX INCORPORATED			
		DRAFT WHERE APPLICABLE MUST REMAIN WITHIN DIMENSIONS		APPROVED BY HARVEY WANG	DATE 2008/03/31	MATERIAL NO. SEE SHEET 2	DOCUMENT NO. SD-105061-200	SHEET NO. 1 OF 7	

TOP ROW			BOTTOM ROW		
PIN NUMBER	SIGNAL TYPE	PIN NAME	PIN NUMBER	SIGNAL TYPE	PIN NAME
1	GND	GND	2	IN	HOT PLUG DETECT
3	OUT	ML_LANE 0(p)	4	CONFIG	CONFIG 1
5	OUT	ML_LANE 0(n)	6	CONFIG	CONFIG 2
7	GND	GND	8	GND	GND
9	OUT	ML_LANE 1(p)	10	OUT	ML_LANE 3(p)
11	OUT	ML_LANE 1(n)	12	OUT	ML_LANE 3(n)
13	GND	GND	14	GND	GND
15	OUT	ML_LANE 2(p)	16	I/O	AUX_CH(p)
17	OUT	ML_LANE 2(n)	18	I/O	AUX_CH(n)
19	RTN	RETURN	20	POWER OUT	DP_PWR

ITEM	PART NAME	PART NUMBER	QTY'S
1	SUB-ASSEMBLY	WHITE	1
		BLACK	
2	MAIN-SHELL	105061-0005	1
3	BOTTOM SHELL	105061-0006	1
4	TOP-SHELL	105061-0007	1

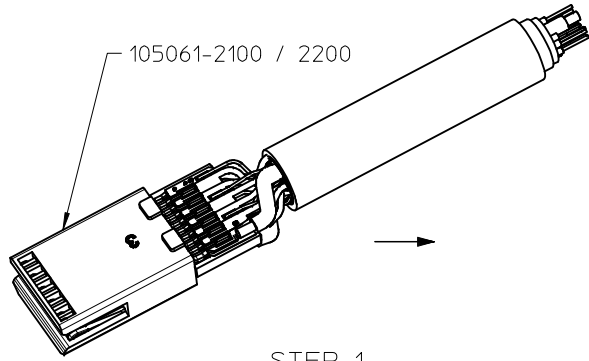
- NOTES:
- MATERIAL:
 - 1.1. PLASTIC: HIGH TEMPERATURE THERMOPLASTICS.
 - 1.2. TERMINAL: PHOSPHOR BRONZE.
 - 1.3. SHIELD SHELL: COPPER ALLOY.
 - 1.4. OTHER SHELL: COPPER ALLOY.
 - PLATING:
 - 2.1. TERMINAL:
 - 2.1.1. UNDERPLATING: NICKEL 1.30 MICROMETER MIN.
 - 2.1.2. CONTACT AREA: GOLD 0.76 MICROMETER MIN.
 - 2.1.3. SOLDER AREA: GOLD FLASH.
 - 2.2. METAL SHELL: NICKEL 1.30 MICROMETER MIN.
 - MECHANICAL PROPERTIES:
 - 3.1. TERMINAL RETENTION FORCE: 0.5 Kgf MIN.
 - 3.2. MATING FORCE: 4.0 Kgf MAX.
 - 3.3. NORMAL FORCE: 25gf MIN.
 - 3.4. DURABILITY: 1500 CYCLES.
 - ELECTRICAL PROPERTIES:
 - 4.1. APPLIED VOLTAGE RATING: 30V AC (RMS)
 - 4.2. CONTACT CURRENT RATING: 0.5 Amp
 - 4.3. DIELECTRIC WITHSTANDING: 200V AC MIN.
 - 4.4. INSULATION RESISTANCE: 100 Megaohm MIN.
 - ENVIRONMENTAL PROPERTIES:
 - 5.1. OPERATING TEMPERATURE: -20°C TO 85°C.
 - 5.2. BE APPLICABLE TO HANDWORK SOLDER & IR-REFLOW PROCESS
 - THIS PRODUCT COMPLIANT TO RoHS DIRECTIVE 2002/95/EC, AND ELV DIRECTIVE 2000/53/EC.



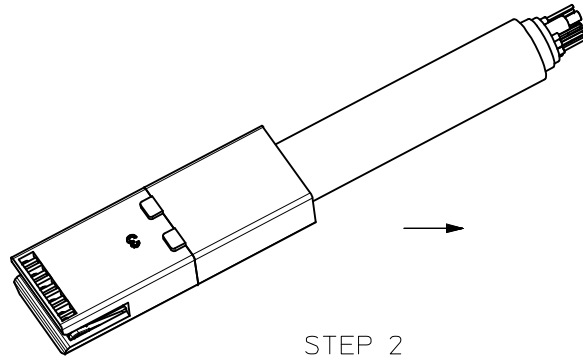
NOTES:
OVER-MOLDING ONLY FOR REFERENCE

NEW PRODUCT EC NO: SH2010-0088 DRW:KWEI 2009/09/14 CHK:RZHANG 2009/09/14 APPR:XJ.SONG 2009/09/21	QUALITY SYMBOLS 	GENERAL TOLERANCES (UNLESS SPECIFIED)		DIMENSION STYLE	SCALE	DESIGN UNITS	THIRD ANGLE PROJECTION	
				MM ONLY	N/A	METRIC		
		mm	INCH	DRAWN BY	DATE	TITLE		
		4 PLACES	± ---	± ---	KLAUS WEI	2008/03/31	MINI DISPLAY PORT PLUG	
3 PLACES	± ---	± ---	CHECKED BY	DATE	MATERIAL NO.			
2 PLACES	± ---	± ---	ROST ZHANG	2008/03/31	DOCUMENT NO.			
1 PLACE	± ---	± ---	APPROVED BY	DATE	SHEET NO.			
ANGULAR ± ---°		HARVEY WANG		2008/03/31	2 OF 7			
DRAFT WHERE APPLICABLE MUST REMAIN WITHIN DIMENSIONS		SEE TABLE		MOLEX INCORPORATED SD-105061-200				
		SIZE A3		THIS DRAWING CONTAINS INFORMATION THAT IS PROPRIETARY TO MOLEX INCORPORATED AND SHOULD NOT BE USED WITHOUT WRITTEN PERMISSION				

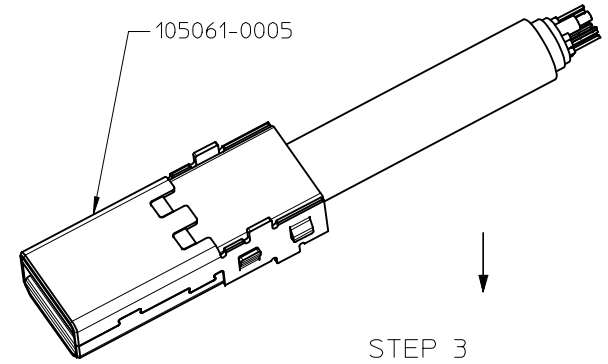
ASSEMBLY PROCEDURE



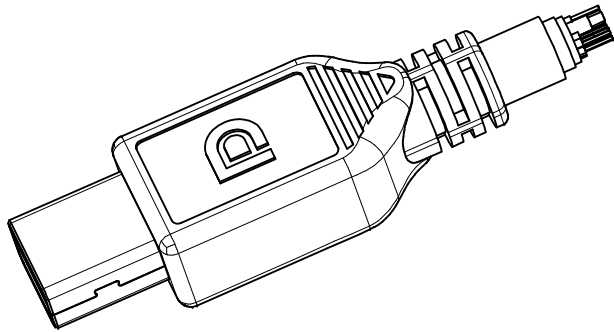
STEP 1
SOLDER WIRE



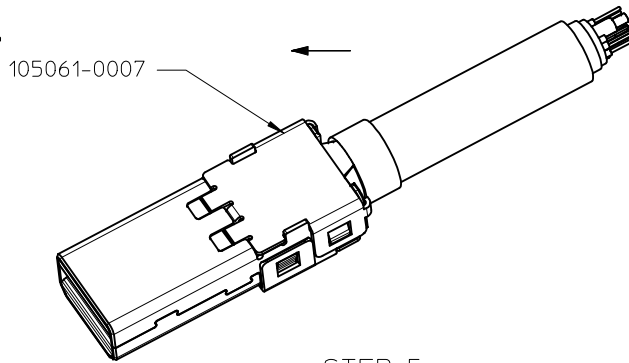
STEP 2
INNER OVER-MOLDING



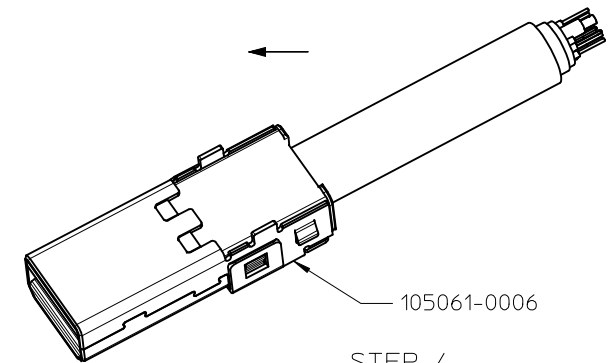
STEP 3
ASSEMBLE MAIN SHELL



STEP 6
OUTER OVER-MOLDING

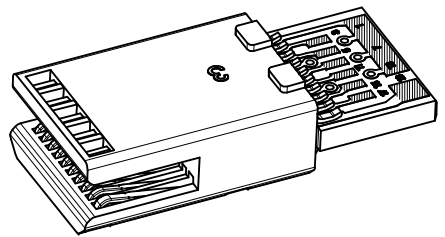
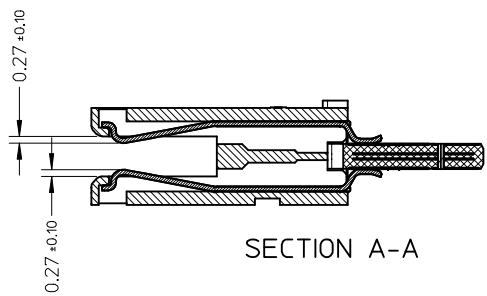
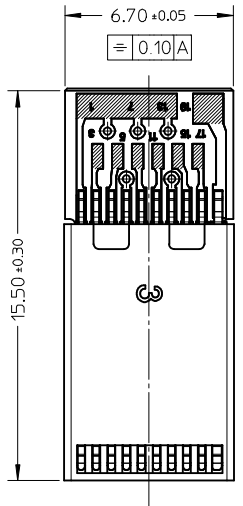


STEP 5
ASSEMBLE TOP SHELL AND CRIMPING

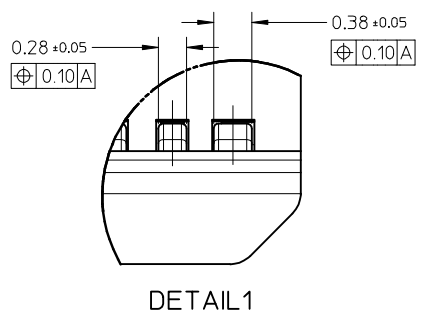
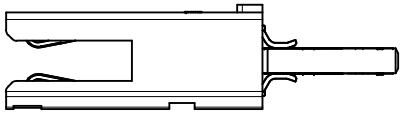
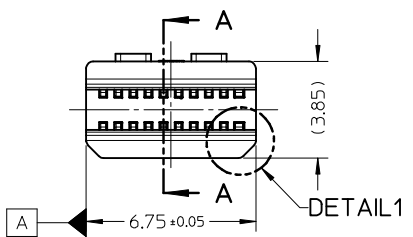


STEP 4
ASSEMBLE BOTTOM SHELL

NEW PRODUCT IEC NO: SH2010-0088 DRW:KWCWEI 2009/09/14 CH:KDRZHANG 2009/09/14 APPR:XJ.SONG 2009/09/21	DESCRIPTION REV	QUALITY SYMBOLS ▽=0 ◻=0	GENERAL TOLERANCES (UNLESS SPECIFIED)		DIMENSION STYLE MM ONLY		SCALE N/A	DESIGN UNITS METRIC	THIRD ANGLE PROJECTION		
		4 PLACES ±--- ±--- 3 PLACES ±--- ±--- 2 PLACES ±--- ±--- 1 PLACE ±--- ±---	mm INCH	DRAWN BY KLAUS WEI	DATE 2008/03/31	TITLE MINI DISPLAY PORT PLUG					
		ANGULAR ±---°	DRAFT WHERE APPLICABLE MUST REMAIN WITHIN DIMENSIONS	CHECKED BY ROST ZHANG	DATE 2008/03/31	APPROVED BY HARVEY WANG 2008/03/31					
		MATERIAL NO.	SEE ABOVE	MOLEX INCORPORATED		DOCUMENT NO. SD-105061-200	SHEET NO. 3 OF 7				



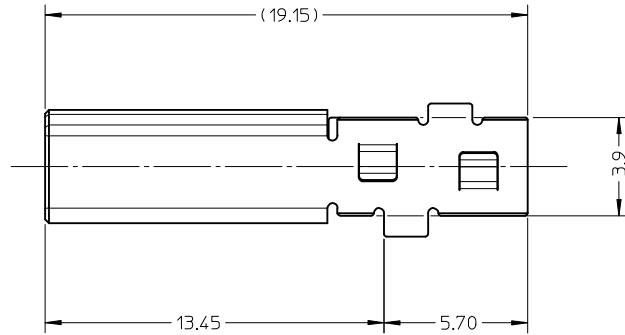
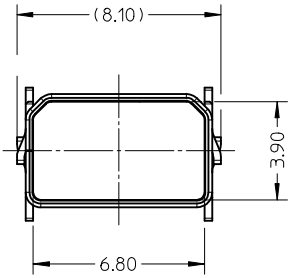
- NOTES:
1. MATERIAL:
 PLASTIC: LCP ,UL94V-0 .
 METAL: COPPER OR COPPER ALLOY.
 2. PACKAGING SPECIFICATION : PK-105061-001.
 3. PRODUCT SPECIFICATION: PS-105061-001.



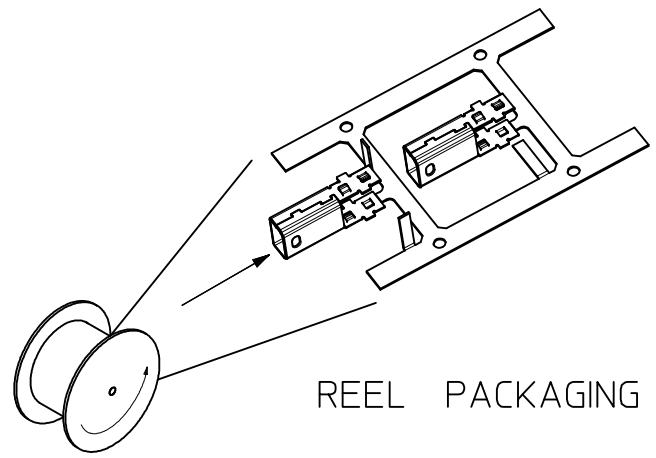
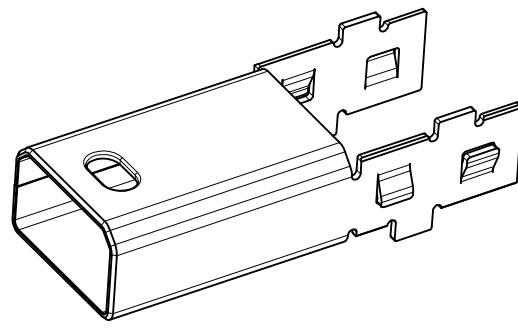
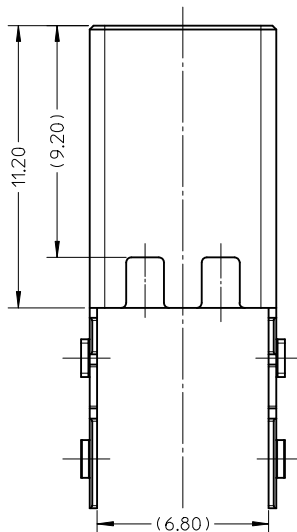
105061-2200	LCP	WHITE
105061-2100	LCP	BLACK
PART NUMBER	RESIN TYPE	COLOR

NEW PRODUCT EC NO: SH2010-0088 DRW:KWEI CH:KDRZHANG APPR:XJ.SONG	2009/09/14 2009/09/14 2009/09/21	DESCRIPTION REV B	QUALITY SYMBOLS ▽=0 ◻=0	GENERAL TOLERANCES (UNLESS SPECIFIED)		DIMENSION STYLE MM ONLY		SCALE 5:1	DESIGN UNITS METRIC	THIRD ANGLE PROJECTION		
					mm	INCH	DRAWN BY KLAUS WEI	DATE 2008/03/31	TITLE SUB-ASSEMBLY			
				4 PLACES	± ---	± ---	CHECKED BY ROST ZHANG	DATE 2008/03/31	MOLEX INCORPORATED			
				3 PLACES	± ---	± ---	APPROVED BY HARVEY WANG	DATE 2008/03/31	105061-2*00	DOCUMENT NO. SD-105061-200	SHEET NO. 4 OF 7	
2 PLACES	± 0.10	± ---	DRAFT WHERE APPLICABLE MUST REMAIN WITHIN DIMENSIONS		ANGULAR	± ---°	THIS DRAWING CONTAINS INFORMATION THAT IS PROPRIETARY TO MOLEX INCORPORATED AND SHOULD NOT BE USED WITHOUT WRITTEN PERMISSION					
1 PLACE	± 0.15	± ---			SIZE A3							

10 9 8 7 6 5 4 3 2 1



- NOTES:
1. MATERIALS: COPPER ALLOY
THICKNESS: 0.30±0.01mm..
 2. FINISH: NICKEL 1.30 MICROMETRE MIN.
 3. COMPLIANT TO RoHS DIRECTIVE 2002/95/EC AND ELV DIRECTIVE 2000/53/EC.
 4. PACKAGING QUANTITIES : 800 PCS PER REEL.

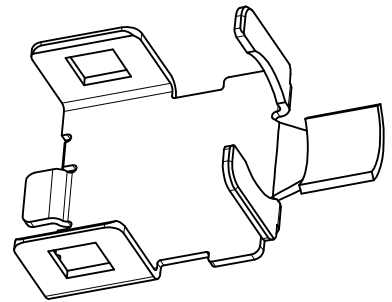
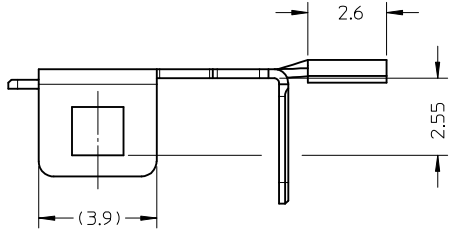


REEL PACKAGING

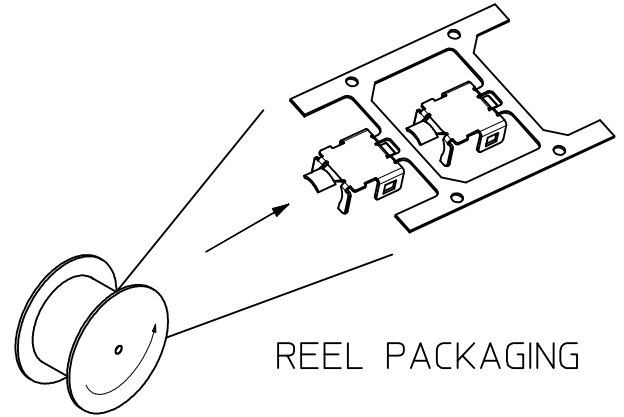
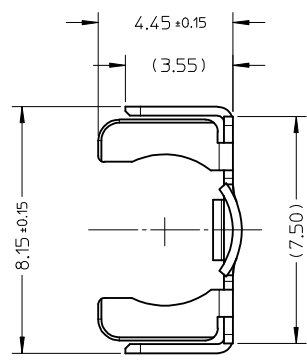
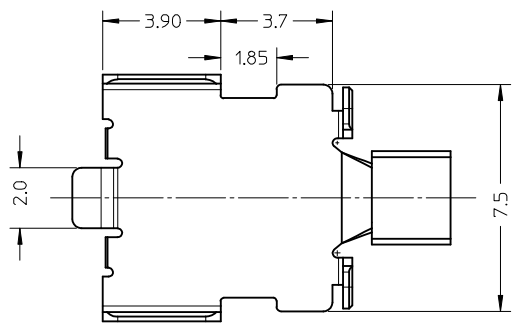
NEW PRODUCT EC NO: SH2010-0088 DRW:KWEI 2009/09/14 CHKD:RZHANG 2009/09/14 APPR:XJ.SONG 2009/09/14	DESCRIPTION REV	QUALITY SYMBOLS	GENERAL TOLERANCES (UNLESS SPECIFIED)	DIMENSION STYLE	SCALE	DESIGN UNITS	THIRD ANGLE PROJECTION	
		$\nabla=0$ $\triangle=0$	mm INCH 4 PLACES ± --- ± --- 3 PLACES ± --- ± --- 2 PLACES ± 0.10 ± --- 1 PLACE ± 0.15 ± --- ANGULAR ± ---°	MM ONLY	5:1	METRIC		
				DRAWN BY	DATE	TITLE		
				KLAUS WEI	2008/03/31	MAIN SHELL		
				ROST ZHANG	2008/03/31			
				APPROVED BY	DATE	MATERIAL NO.		
				HARVEY WANG	2008/03/31	105061-0005		
				DOCUMENT NO.			SHEET NO.	
				SD-105061-200			5 OF 7	
				DRAFT WHERE APPLICABLE MUST REMAIN WITHIN DIMENSIONS				
				SIZE	THIS DRAWING CONTAINS INFORMATION THAT IS PROPRIETARY TO MOLEX INCORPORATED AND SHOULD NOT BE USED WITHOUT WRITTEN PERMISSION			
				A3				

9 8 7 6 5 4 3 2 1

10 9 8 7 6 5 4 3 2 1



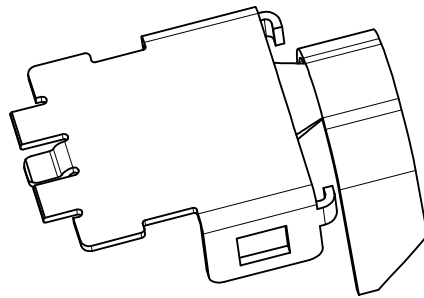
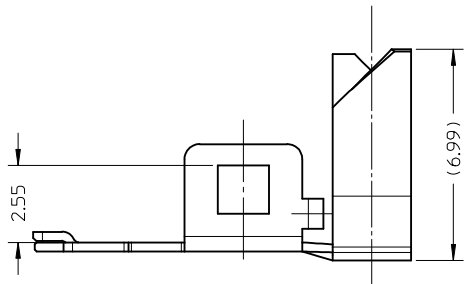
- NOTES:
1. MATERIALS: COPPER ALLOY.
THICKNESS: 0.30±0.01mm.
 2. FINISH: NICKEL 1.30 MICROMETRE MIN.
 3. COMPLIANT TO RoHS DIRECTIVE 2002/95/EC AND ELV DIRECTIVE 2000/53/EC.
 4. PACKAGING QUANTITIES : 1500 PCS PER REEL.



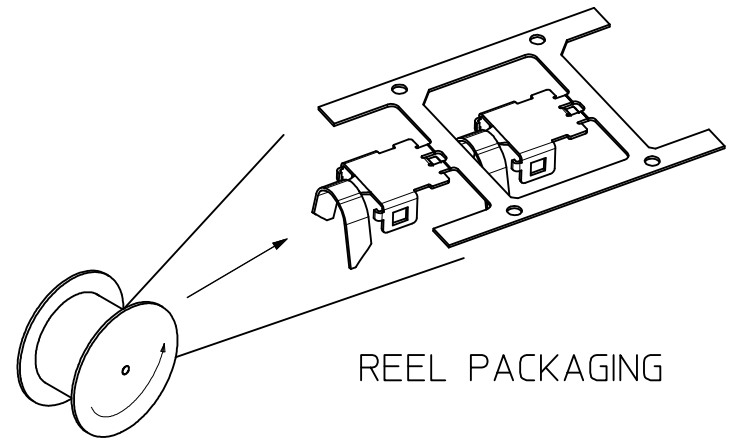
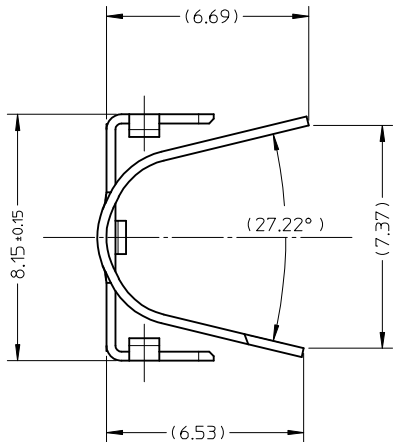
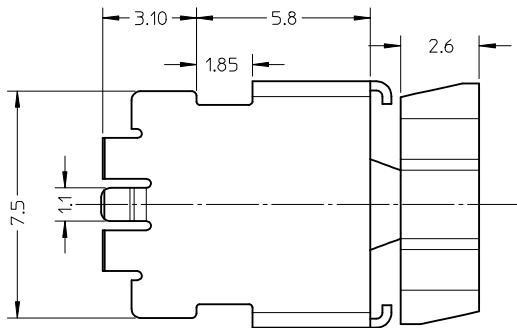
REEL PACKAGING

NEW PRODUCT EC NO: SH2010-0088 DRW:KWEI 2009/09/14 CHK:RZHANG 2009/09/14 APPR:XJSONG 2009/09/21	QUALITY SYMBOLS ▽=0 Ⓢ=0	GENERAL TOLERANCES (UNLESS SPECIFIED)		DIMENSION STYLE MM ONLY	SCALE 5:1	DESIGN UNITS METRIC	THIRD ANGLE PROJECTION		
		4 PLACES ± --- ± ---	3 PLACES ± --- ± ---	2 PLACES ± 0.10 ± ---	1 PLACE ± 0.15 ± ---	ANGULAR ± ---°	DRAWN BY: KLAUS WEI CHECKED BY: ROST ZHANG APPROVED BY: HARVEY WANG	DATE: 2008/03/31 DATE: 2008/03/31 DATE: 2008/03/31	TITLE BOTTOM SHELL
		DRAFT WHERE APPLICABLE MUST REMAIN WITHIN DIMENSIONS			MATERIAL NO. 105061-0006	MOLEX INCORPORATED		DOCUMENT NO. SD-105061-200	SHEET NO. 6 OF 7
		THIS DRAWING CONTAINS INFORMATION THAT IS PROPRIETARY TO MOLEX INCORPORATED AND SHOULD NOT BE USED WITHOUT WRITTEN PERMISSION							SIZE A3

9 8 7 6 5 4 3 2 1



- NOTES:
1. MATERIALS: COPPER ALLOY.
THICKNESS: 0.30±0.01mm.
 2. FINISH: NICKEL 1.30 MICROMETRE MIN.
 3. COMPLIANT TO RoHS DIRECTIVE 2002/95/EC AND ELV DIRECTIVE 2000/53/EC.
 4. PACKAGING QUANTITIES : 1500 PCS PER REEL.



NEW PRODUCT EC NO: SH2010-0088 DRW:KWEI 2009/09/14 CHKD:RZHANG 2009/09/14 APPR:XJ.SONG 2009/09/21	DESCRIPTION REV	QUALITY SYMBOLS	GENERAL TOLERANCES (UNLESS SPECIFIED)		DIMENSION STYLE MM ONLY		SCALE 5:1	DESIGN UNITS METRIC	THIRD ANGLE PROJECTION		
		▽=0 Ⓢ=0	mm	INCH	DRAWN BY KLAUS WEI	DATE 2008/03/31	TITLE TOP SHELL				
		4 PLACES ± --- ± --- 3 PLACES ± --- ± --- 2 PLACES ± 0.10 ± --- 1 PLACE ± 0.15 ± ---	ANGULAR ± ---°		CHECKED BY ROST ZHANG	DATE 2008/03/31	MATERIAL NO. 105061-0007				
		DRAFT WHERE APPLICABLE MUST REMAIN WITHIN DIMENSIONS		APPROVED BY HARVEY WANG		DATE 2008/03/31	DOCUMENT NO. SD-105061-200		SHEET NO. 7 OF 7		