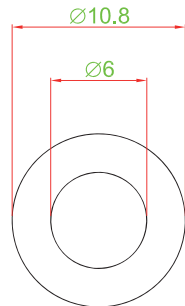
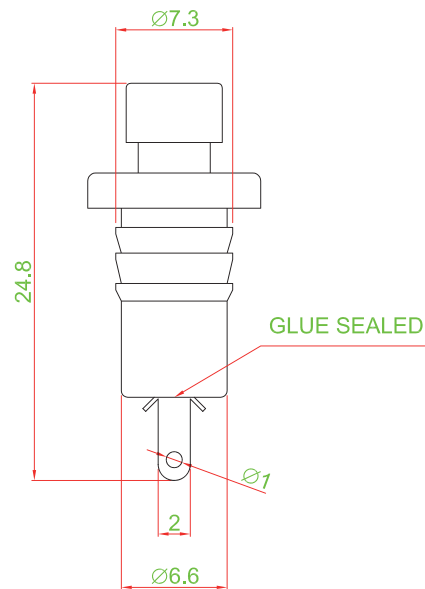
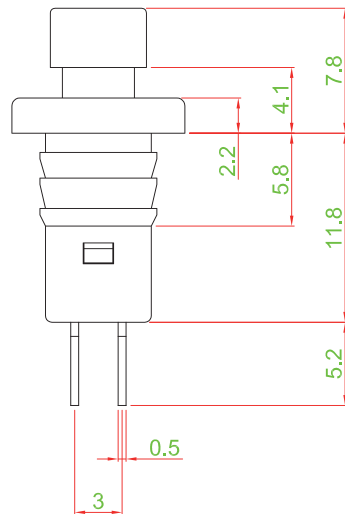




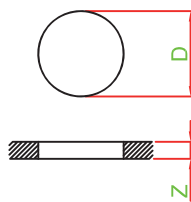
▶ DIMENSION



N - RBB



▶ PANEL CUT OUT



Z	D
1.0 ~ 2.0	6.6 ~ 6.8
2.0 ~ 2.5	6.8 ~ 7.0
2.5 ~ 3.0	7.0 ~ 7.2

▶ MATERIAL

- FRAME : PA
- ACTUATOR : PA + GF
- BASE FRAME : PA + GF
- TERMINAL : BRBNZE GOLD FLASH

▶ SCHEMATIC

