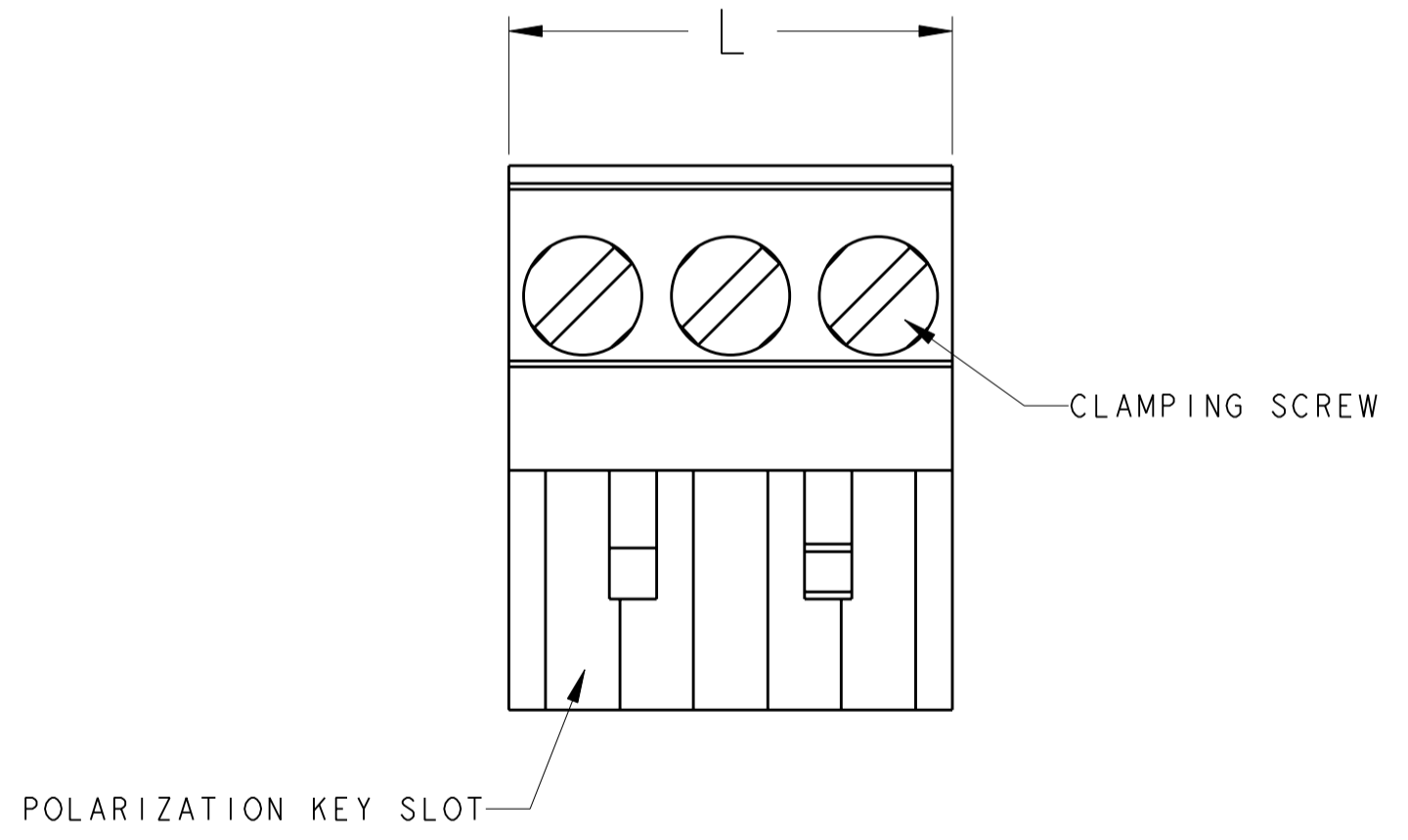
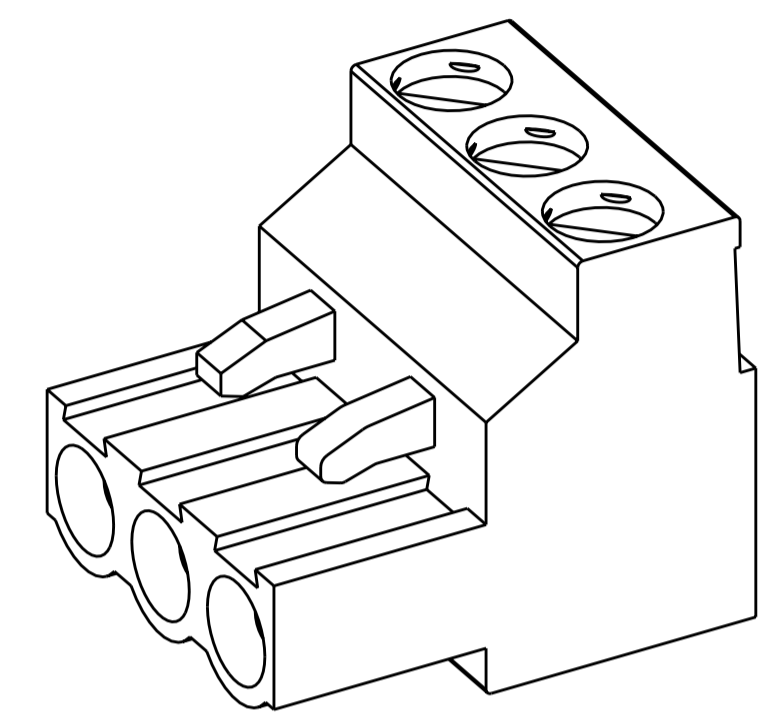
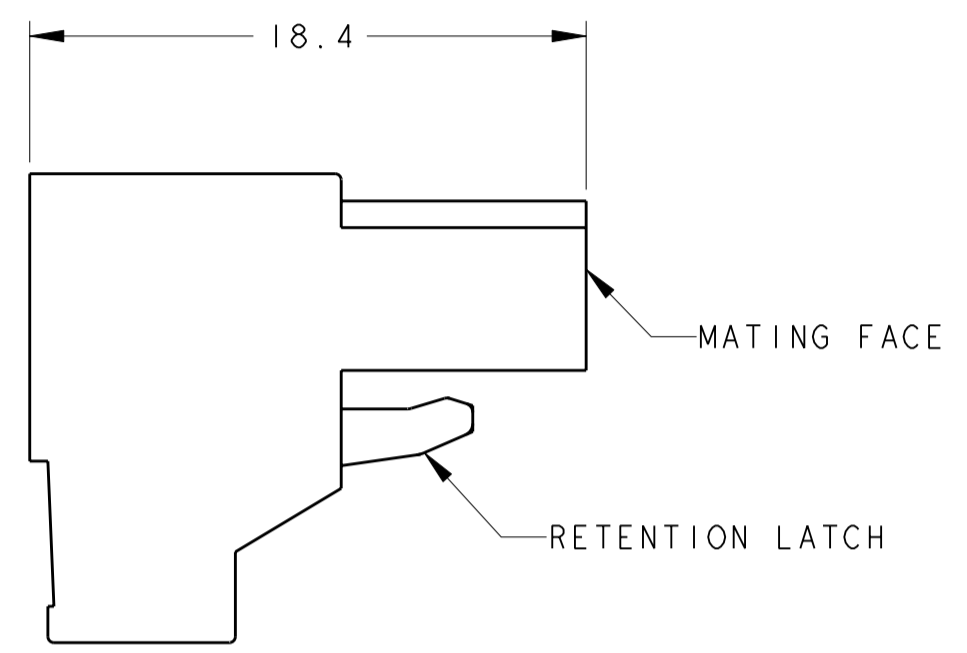
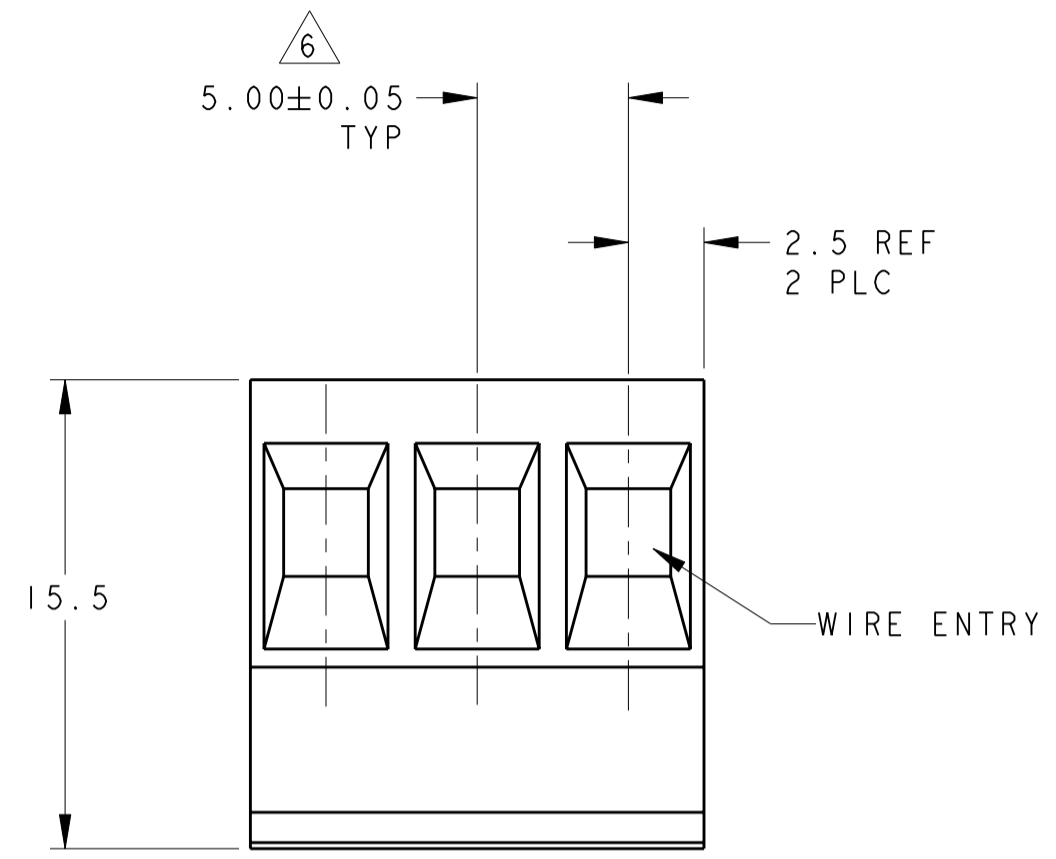


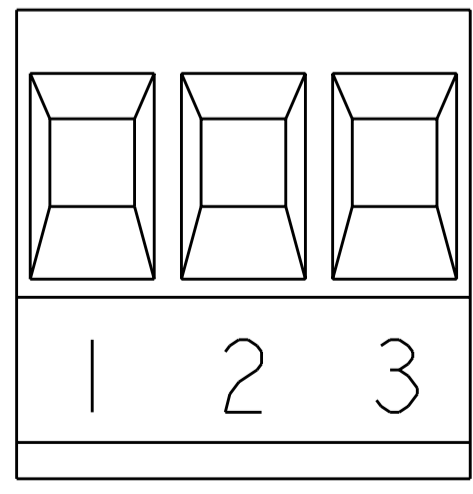
THIS DRAWING IS UNPUBLISHED. RELEASED FOR PUBLICATION 20  
 © COPYRIGHT 20 BY TYCO ELECTRONICS CORPORATION. ALL RIGHTS RESERVED.

| LOC |     | DIST        |                           | REVISIONS |      |    |  |
|-----|-----|-------------|---------------------------|-----------|------|----|--|
| P   | LTR | DESCRIPTION | DATE                      | DWN       | APVD |    |  |
|     |     | A           | RELEASED                  | -         | -    | -  |  |
|     |     | A1          | REVISED ECO-06-007741     | 31MAR2006 | SW   | CR |  |
|     |     | A2          | REVISED PER ECO-07-014363 | 20JUN2007 | SS   | CR |  |

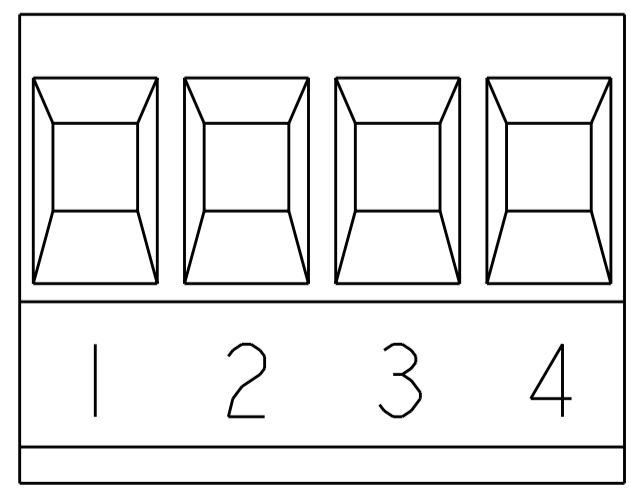


- 1 MATERIALS AND FINISH:  
 HOUSING: PA 6-6, UL 94-V0, COLOR: GRAY.  
 CLAMP: BRASS, NICKEL PLATED.  
 DOUBLE SIDE CONTACT SPRING: PHOSPHOR BRONZE, TIN PLATED.  
 CLAMPING SCREW: M3, BRASS, NICKEL PLATED.
2. END-TO-END STACKABLE WITHOUT LOSS OF CENTERLINE SPACING.
3. WIRE SIZE RANGE: 12-30 AWG
4. RECOGNIZED UNDER THE COMPONENT PROGRAM OF UNDERWRITERS LABORATORIES INC. FILE N° E60677.
5. IMQ CERTIFICATE WITH SURVEILLANCE IN CONFORMITY WITH IEC 998-1/998-2-1.
- 6 NOT CUMULATIVE TOLERANCE
- 7 PARTS TO BE PERMANENTLY MARKED WITH BLACK LETTERS.

| MARKING      | DIM L | NO OF POSN | PART NUMBER |
|--------------|-------|------------|-------------|
| SEE DETAIL P | 20.0  | 4          | 2-1546208-8 |
| SEE DETAIL N | 20.0  | 4          | 2-1546208-7 |
| SEE DETAIL M | 15.0  | 3          | 2-1546208-6 |
|              | 125.0 | 25         | 2-1546208-5 |
|              | 120.0 | 24         | 2-1546208-4 |
|              | 115.0 | 23         | 2-1546208-3 |
|              | 110.0 | 22         | 2-1546208-2 |
|              | 105.0 | 21         | 2-1546208-1 |
|              | 100.0 | 20         | 2-1546208-0 |
|              | 95.0  | 19         | 1-1546208-9 |
|              | 90.0  | 18         | 1-1546208-8 |
|              | 85.0  | 17         | 1-1546208-7 |
|              | 80.0  | 16         | 1-1546208-6 |
|              | 75.0  | 15         | 1-1546208-5 |
|              | 70.0  | 14         | 1-1546208-4 |
|              | 65.0  | 13         | 1-1546208-3 |
|              | 60.0  | 12         | 1-1546208-2 |
|              | 55.0  | 11         | 1-1546208-1 |
|              | 50.0  | 10         | 1-1546208-0 |
|              | 45.0  | 9          | 1546208-9   |
|              | 40.0  | 8          | 1546208-8   |
|              | 35.0  | 7          | 1546208-7   |
|              | 30.0  | 6          | 1546208-6   |
|              | 25.0  | 5          | 1546208-5   |
|              | 20.0  | 4          | 1546208-4   |
|              | 15.0  | 3          | 1546208-3   |
|              | 10.0  | 2          | 1546208-2   |



7  
DETAIL M



7  
DETAIL N

|   |  |                                 |   |                    |
|---|--|---------------------------------|---|--------------------|
| THIS DRAWING IS A CONTROLLED DOCUMENT FOR TYCO ELECTRONICS CORPORATION. IT IS SUBJECT TO CHANGE AND THE CONTROLLING ENGINEERING ORGANIZATION SHOULD BE CONTACTED FOR THE LATEST REVISION. |  | DWN<br>S. WELDON<br>27FEB2004   | Tyco Electronics<br>Harrisburg, PA 17105-3608           |                    |
| DIMENSIONS:<br>mm   |  | CHK<br>C. RICHARD<br>27FEB2004  | NAME<br>TERMINAL BLOCK, PLUG, STACKING,<br>5.00mm PITCH |                    |
| TOLERANCES UNLESS OTHERWISE SPECIFIED:<br>0 PLC ±-<br>1 PLC ±0.2<br>2 PLC ±-<br>3 PLC ±-<br>4 PLC ±-<br>ANGLES ±-<br>FINISH   |  | APVD<br>C. RICHARD<br>27FEB2004 | RESTRICTED TO   |                    |
| MATERIAL  |  | PRODUCT SPEC                    | SIZE<br>A2  | CAGE CODE<br>00779 |
|   |  | APPLICATION SPEC                | DRAWING NO<br>1546208                                   | SCALE<br>5:1       |
|   |  | WEIGHT                          | SHEET 1 OF 2  |                    |
|   |  | CUSTOMER DRAWING                | REV A2  |                    |

4

3

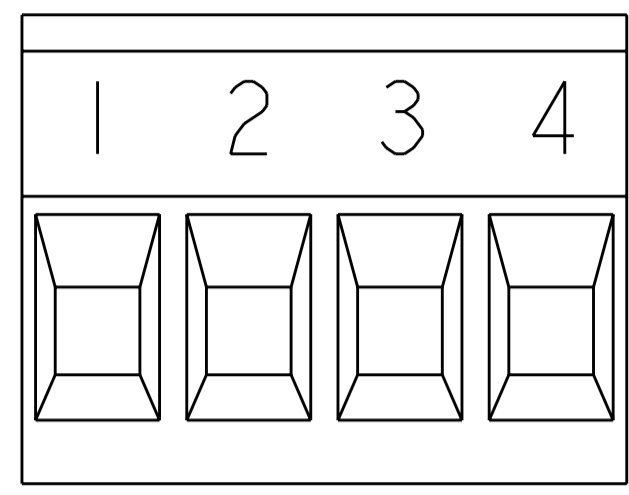
2

1


THIS DRAWING IS UNPUBLISHED.      RELEASED FOR PUBLICATION      20

© COPYRIGHT 20      BY TYCO ELECTRONICS CORPORATION. ALL RIGHTS RESERVED.

| LOC | DIST | REVISIONS   |      |     |      |
|-----|------|-------------|------|-----|------|
| P   | LTR  | DESCRIPTION | DATE | DWN | APVD |
|     |      | SEE SHEET 1 | -    | -   | -    |
|     |      |             |      |     |      |
|     |      |             |      |     |      |



  
DETAIL P

|   |   |   |   |
|---|---|---|---|
| <small>THIS DRAWING IS A CONTROLLED DOCUMENT FOR TYCO ELECTRONICS CORPORATION<br/>IT IS SUBJECT TO CHANGE AND THE CONTROLLING ENGINEERING ORGANIZATION<br/>SHOULD BE CONTACTED FOR THE LATEST REVISION.</small> |   | DWN <u>S. WELDON</u> 27FEB2004<br>CHK <u>C. RICHARD</u> 27FEB2004<br>APVD <u>C. RICHARD</u> 27FEB2004 |  Tyco Electronics<br>Harrisburg, PA 17105-3608 |
| DIMENSIONS:<br>mm   | TOLERANCES UNLESS OTHERWISE SPECIFIED:<br>0 PLC ±-<br>1 PLC ±0.2<br>2 PLC ±-<br>3 PLC ±-<br>4 PLC ±-<br>ANGLES ±-<br>FINISH - | PRODUCT SPEC -<br>APPLICATION SPEC -<br>WEIGHT -  | NAME <b>TERMINAL BLOCK, PLUG, STACKING,<br/>5.00mm PITCH</b><br>SIZE A2 CAGE CODE 00779 DRAWING NO. 1546208 RESTRICTED TO -         |
| MATERIAL -  |   | CUSTOMER DRAWING  |   |
|   |   | SCALE 4:1   | SHEET 2 OF 2 REV A2   |