

Quick Reference

BRKTSTBC-A8451

Sensor Toolbox Breakout Board for the
MMA8451Q 3-Axis Digital Accelerometer

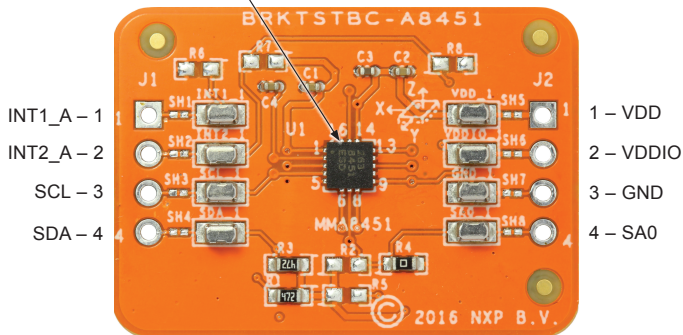
SENSOR TOOLBOX BREAKOUT BOARD



Quick Reference

GET TO KNOW THE BRKTSTBC-A8451

MMA8451Q 3-axis digital accelerometer
16 QFN (3 mm x 3 mm x 1 mm)



HOW TO GET STARTED

Find additional information in the breakout board section of

nxp.com/sensortoolbox

- Schematics
- Layout design
- Documentation

The FRDMSTBC-A8451 extends this breakout board with broad demo and development capabilities.

- Software development platform
- Graphical tools

www.nxp.com

NXP and the NXP logo are trademarks of NXP B.V. All other product or service names are the property of their respective owners. © 2016 NXP B.V.

Document Number: BRKTSTBC-A8451_QRC REV 0
Agile Number: 920-29412 REV A

