

SAFETY ORGANIZATIONS

THIS FILTER HAS BEEN FORMALLY RECOGNIZED, CERTIFIED OR APPROVED BY THE LISTED AGENCY. THEREFORE, ALL TEST/REQUIREMENTS SPECIFIED IN THE LATEST REVISION OF THE FOLLOWING AGENCY STANDARDS HAVE BEEN MET:

UL RECOGNIZED: UL 1283 SEV APPROVED: IEC 939
 CSA CERTIFIED: CSA 22.2, # 8 SEMKO APPROVED: SEN 432901
 VDE APPROVED: VDE 565-3

OPERATING SPECIFICATIONS

LINE CURRENT/VOLTAGE: 1 AMP, 120/250 VAC,
 1 AMP/40°C, 250 VAC

LINE FREQUENCY: 50-60Hz

MAXIMUM LEAKAGE CURRENT,
 EACH LINE TO GROUND: 0.22 mA @ 120V 60Hz
 0.38 mA @ 250V 50Hz

OPERATING AMBIENT TEMP. RANGE: -10°C TO +40°C @ RATED CURRENT, I_r .

IN AN AMBIENT, T_0 , HIGHER THAN 40°C, THE MAXIMUM OPERATING CURRENT, I_0 , IS AS FOLLOWS:

$$I_0 = I_r \sqrt{\frac{85 - T_0}{45}}$$

RELIABILITY SPECIFICATIONS:

STORAGE TEMPERATURE: -40°C TO +85°C
 HUMIDITY: 21 DAYS @ 40°C 95% RH.
 CURRENT OVERLOAD TEST: 6 TIMES I_r FOR
 8 SECONDS

TEST SPECIFICATIONS:

INDUCTANCE: 10.0 mH NOMINAL
 CAPACITANCE: (MEASURED @ 1KHz, 0.250VAC MAX., 25°C±1°C)
 LINE TO GROUND: 0.0053 μ F ±20%
 LINE TO LINE: 0.0105 μ F ±20%
 DISCHARGE RESISTOR: 1.5 M Ω
 L/G AND L/L I.R.
 NO DISCHARGE RESISTOR: 6000M Ω (MIN.) @ 100VDC,
 20°C AND 50% RH

RECOMMENDED RECEIVING INSPECTION HIPOT:

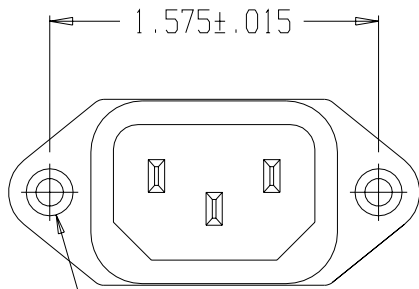
LINE TO GROUND: 1500VAC OR 2250VDC FOR 1 MINUTE
 LINE TO LINE: 1450VDC FOR 1 MINUTE

FILTER APPROVAL:

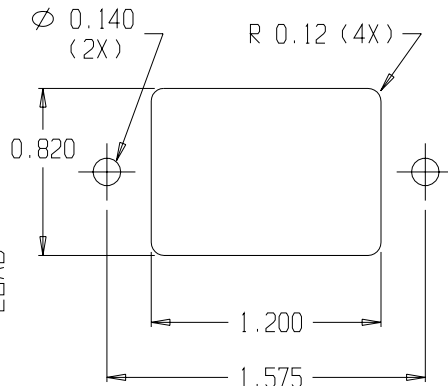
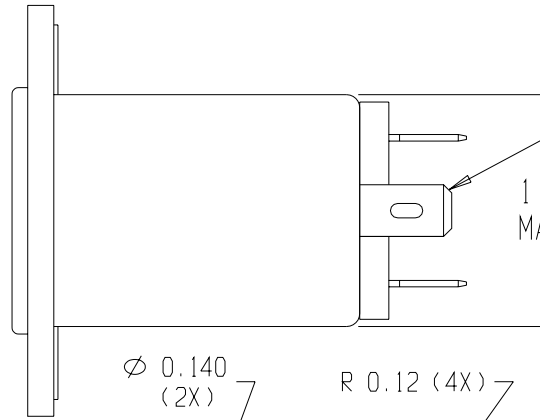
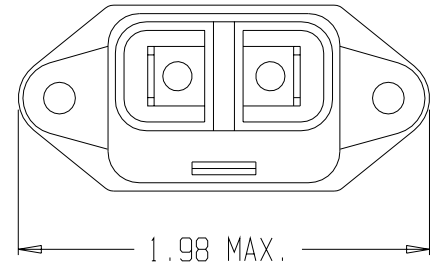
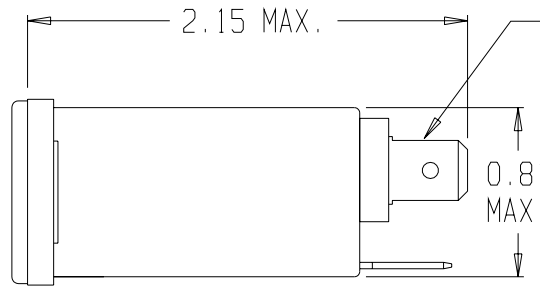
THE BEST WAY TO SELECT AND QUALIFY A FILTER IS FOR YOUR ENGINEERING TO TEST THE UNIT IN YOUR EQUIPMENT.

CATALOG # 1EEA1

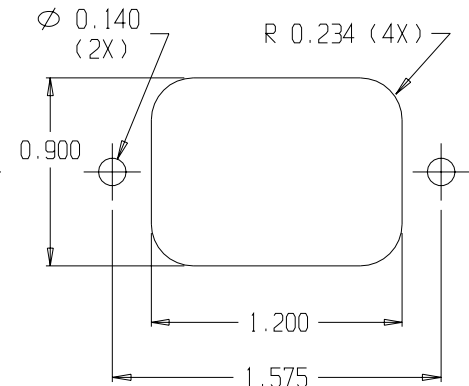
ECN #	APPRVD.	DATE



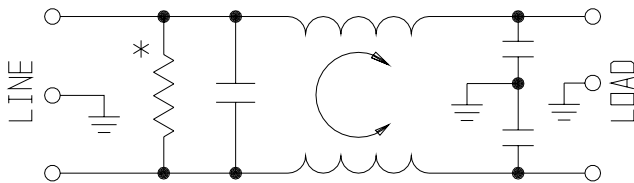
Ø 0.132±.01 WITH
 Ø 0.260 REF X 90°
 COUNTERSUNK HOLE FOR
 #4 FLAT HEAD SCREW (2X)



PANEL CUTOUT (FRONT MOUNT)
 TOLERANCE ±.005



PANEL CUTOUT (BACK MOUNT)
 TOLERANCE ±.005



* RESISTOR ADDED TO PRODUCT BUILT AFTER 3-30-92 (9212).

50 Ω - 50 Ω (MINIMUM) INSERTION LOSS										
FREQUENCY MHz	.01	.05	.10	.15	.50	1	1.5	5	10	30
COMMON dB	12	23	29	32	41	47	-	47	47	40
DIFF. dB					1	9	19	42	45	45

THIRD ANGLE PROJECTION

UNLESS OTHERWISE SPECIFIED,
 TOLERANCE TO BE ±.025
 MATERIAL & FINISH: AS SUPPLIED

This document is proprietary to CORCOM INC. and is not to be reproduced nor used for manufacturing purposes except on CORCOM'S prior written consent.



POWER LINE FILTER

CAD FILE: C:\CK\CD\1EEA100	DATE: 9/17/96	CATALOG NO.	REV.
SCALE: NTS	DRG: KAW	1EEA1	00