

N = Number of poles
 Dim L = N x 5.0
 Dim P = (N - 1) x 5.0

Poles	Dim L	Dim P
2-6p	±0.15	±0.10
7-12p	±0.20	±0.20
13-18p	±0.30	±0.25
19-24p	±0.40	±0.30

SIGN	DATE	DESCRIPTION	APPROVER
△	02.08'06	Standard spec is changed.	Marivn
△	12.01'09	Wire range changed from 1.0-2.5mm ² to 0.5-2.5mm ²	Kind
△	12.01'09	Operating Tem. changed from -30°~105° to -40°~115°	Kind
△	05/18`10	Solid wire changed from 14-22 to 14-26	Tason
△	05/18`10	Stranded wire changed from 14-22 to 14-26	Tason
△	05/18`10	Torque changed from 2.6Lb-In/0.6Nm to 2.6Lb-In/0.5Nm	Tason
△	11/22`10	The dimensional is changed from 0.95mm to 1.00mm	Tason
△	11/28`13	Update the drawing	Guoxue

THIS IS CAD DRAWING, DO NOT REVISE MANUALLY!!!

Material

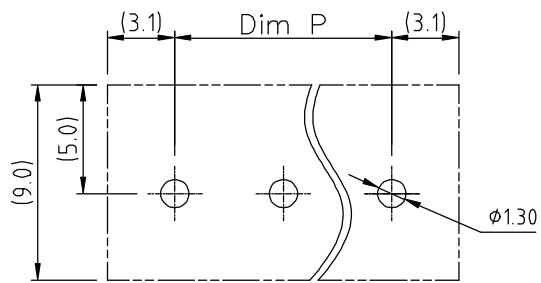
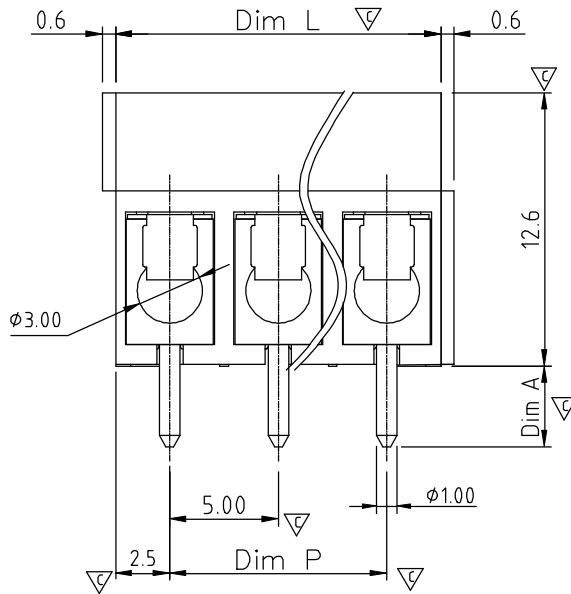
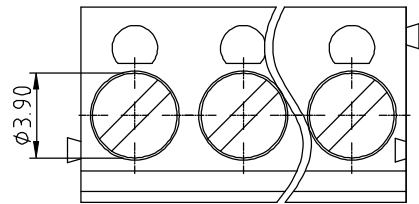
- (a) Terminal body : Brass(CuZn) , Tin plated
- (b) Terminal screw: Steel Zinc plating "-" slot type
- (c) Wire guard: Stainless steel
- (d) Terminal housing: Thermoplastic (UL94V-0)

- △△ Electrical UL/CSA/VDE
 - Voltage rating: 250VAC/250VAC/250VAC
 - Current rating: 16A/16A/16A
 - △ ● Wire range: 0.5-2.5mm²
 - △ ● Solid wire(AWG): 14-26/14-22
 - △ ● Stranded wire(AWG): 14-26/14-22
 - △ ● Torque: 2.6Lb-In/3.5kgf.cm/0.5Nm
 - Screw: M3
 - Wire strip length: 6-7mm
 - Withstanding Voltage: 1.5KV/1.5KV/2KV
 - △ ● Operating temperature: -40°C to +115°C
 - △ ● Soldering temperature: 260°C±5°C/5 Sec
 - △ ● SAFETY APPROVAL DETA:
 - Critical dimension: ▽

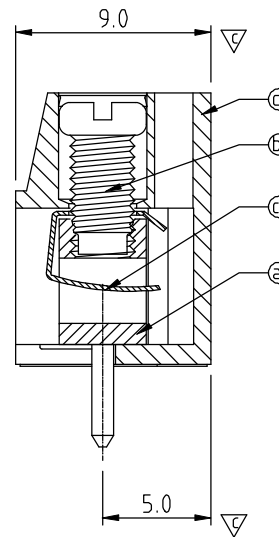
TA xx 00 x x xxxx G

	Color	Dim A	RoHS compliant (lead<4%) In copper Alloy
02 2 POLES	0 Black (RAL9005)	0 4.4mm	0000 Standard @ Logo
03 3 POLES	2 Red (RAL3001/D)	1 3.8mm	000A Standard ANY Logo
...	3 Orange(RAL2011/P)	2 3.5mm	Any special item by customer request, please contact sales department.
24 24 POLES	4 Yellow(RAL1018/A)		
	5 Green(RAL6018/T)		
	6 Blue (RAL5015/A)		
	8 Grey(RAL7035/D)		
	C Green(RAL6018/U)		

ANYTEK				CUSTOMER COPY			
ALL RIGHTS RESERVED. REPRODUCTION OR ISSUE TO THIRD PARTIES IN ANY FORM WHATSOEVER IS NOT PERMITTED WITHOUT WRITTEN AUTHORITY FROM THE PROPRIETOR. PROPERTY OF ANYTEK TECHNOLOGY CO., LTD							
TITLE		TA - 5.0mm series "+/-"					
PART NO.		TAXX00XXXXXXG			DWG NO.		8TA0001
APPROVED		CHECKED		DESIGNED		DRAWN	
		Guoxue 2013.12.03		Guoxue 2013.12.03		CUST NO.	
						Tolerance	
						X. ±0.50	
						X.X ±0.30	
						X.XX ±0.10	
						X° ±1°	
				SHEET: 01/01		UNIT: mm	
						SCALE: NONE	
						REV.: G	



RECOMMENDED PCB LAYOUT
TOP VIEW



N = Number of poles
Dim L = N x 5.0
Dim P = (N - 1) x 5.0

	Dim L	Dim P
2-6p	±0.15	±0.10
7-12p	±0.20	±0.20
13-18p	±0.30	±0.25
19-24p	±0.40	±0.30

SIGN	DATE	DESCRIPTION	APPROVER
△	12.01'09	Wire range changed from 1.0-2.5mm ² to 0.5-2.5mm ²	Kind
△	12.01'09	Operating Tem. changed from -30°~105° to -40°~115°	Kind
△	05/18'10	Solid wire changed from 14-22 to 14-26	Tason
△	05/18'10	Stranded wire changed from 14-22 to 14-26	Tason
△	05/18'10	Torque changed from 2.6Lb-In/0.6Nm to 2.6Lb-In/0.5Nm	Tason
△	02/21'13	update the drawing	Guoxue
△	02/21'13	update the drawing	Guoxue
△	11/28'13	update the drawing	Guoxue

THIS IS CAD DRAWING, DO NOT REVISE MANUALLY!!!

Material

- (a) Terminal body : Brass(CuZn) , Tin plated
- (b) Terminal screw: Steel Zinc plating "-" slot type
- (c) Wire guard: Stainless steel
- (d) Terminal housing: Thermoplastic (UL94V-0)

△ Electrical UL/CSA/VDE

- Voltage rating: 250VAC/250VAC/250VAC
- Current rating: 16A/16A/16A
- △ ● Wire range: 0.5-2.5mm²
- Solid wire(AWG): 14-26/14-22
- △ ● Stranded wire(AWG): 14-26/14-22
- △ ● Torque: 2.6Lb-In/3.5kgf.cm/0.5Nm
- Screw: M3

- Wire strip length: 6-7mm
- Withstanding Voltage: 1.5KV/1.5KV/2KV
- △ ● Operating temperature: -40°C to +115°C
- △ ● Soldering temperature: 260°C±5°C/5 Sec

- △ ● SAFETY APPROVAL DATA: G RoHS compliant (lead<4%) In copper Alloy
- Critical dimension: ▽

△△ TA xx 01 x x xxxx G

02 2 POLES	0 Black (RAL9005)	Dim A 0 4.4mm	0000 Standard @ Logo
03 3 POLES	2 Red (RAL3001/D)	1 3.8mm	000A Standard ANY Logo
...	3 Orange(RAL2011/P)	2 3.5mm	Any special item by
24 24 POLES	4 Yellow(RAL1018/A)		customer request,
	5 Green(RAL6018/T)		please contact sales
	6 Blue (RAL5015/A)		department.
	8 Grey(RAL7035/D)		
	C Green(RAL6018/U)		

ANYTEK		CUSTOMER COPY		
				ALL RIGHTS RESERVED. REPRODUCTION OR ISSUE TO THIRD PARTIES IN ANY FORM WHATSOEVER IS NOT PERMITTED WITHOUT WRITTEN AUTHORITY FROM THE PROPRIETOR. PROPERTY OF ANYTEK TECHNOLOGY CO., LTD
TITLE	TA - 5.0mm series "-"			
PART NO.	TAXX01xxxxxxG	DWG NO.	8TA0011	
APPROVED	CHECKED	DESIGNED	DRAWN	CUST NO.
		Guoxue 2013.12.03	Guoxue 2013.12.03	
				Tolerance X. ±0.50 X.X ±0.30 X.XX ±0.10 X° ±1°
SHEET: 01/01		UNIT: mm	SCALE: NONE	REV.: F