

N = Number of poles
 Dim L = N x 5.0
 Dim P = (N - 1) x 5.0

| Poles | Dim L | Dim P |
|--------|-------|-------|
| 2-6p | ±0.15 | ±0.10 |
| 7-12p | ±0.20 | ±0.20 |
| 13-18p | ±0.30 | ±0.25 |
| 19-24p | ±0.40 | ±0.30 |

| SIGN | DATE | DESCRIPTION | APPROVER |
|------|----------|--|----------|
| △ | 02.08'06 | Standard spec is changed. | Marivn |
| △ | 12.01'09 | Wire range changed from 1.0-2.5mm ² to 0.5-2.5mm ² | Kind |
| △ | 12.01'09 | Operating Tem. changed from -30°~105° to -40°~115° | Kind |
| △ | 05/18`10 | Solid wire changed from 14-22 to 14-26 | Tason |
| △ | 05/18`10 | Stranded wire changed from 14-22 to 14-26 | Tason |
| △ | 05/18`10 | Torque changed from 2.6Lb-In/0.6Nm to 2.6Lb-In/0.5Nm | Tason |
| △ | 11/22`10 | The dimensional is changed from 0.95mm to 1.00mm | Tason |
| △ | 11/28`13 | Update the drawing | Guoxue |

THIS IS CAD DRAWING, DO NOT REVISE MANUALLY!!!

Material

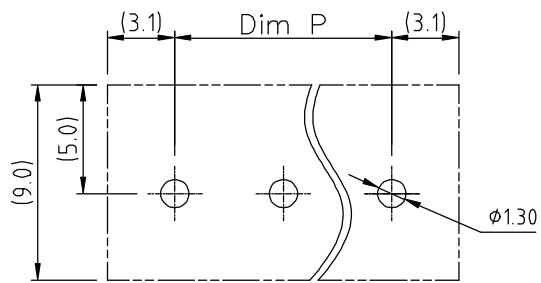
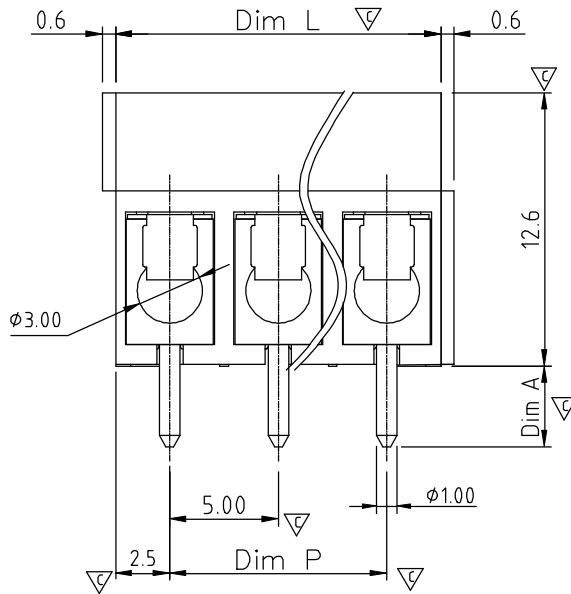
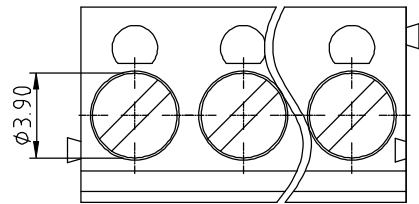
- (a) Terminal body : Brass(CuZn) , Tin plated
- (b) Terminal screw: Steel Zinc plating "-" slot type
- (c) Wire guard: Stainless steel
- (d) Terminal housing: Thermoplastic (UL94V-0)

- △△ Electrical UL/CSA/VDE
 - Voltage rating: 250VAC/250VAC/250VAC
 - Current rating: 16A/16A/16A
 - △ ● Wire range: 0.5-2.5mm²
 - △ ● Solid wire(AWG): 14-26/14-22
 - △ ● Stranded wire(AWG): 14-26/14-22
 - △ ● Torque: 2.6Lb-In/3.5kgf.cm/0.5Nm
 - Screw: M3
 - Wire strip length: 6-7mm
 - Withstanding Voltage: 1.5KV/1.5KV/2KV
 - △ ● Operating temperature: -40°C to +115°C
 - △ ● Soldering temperature: 260°C±5°C/5 Sec
 - △ ● SAFETY APPROVAL DETA:
 - Critical dimension: ▽

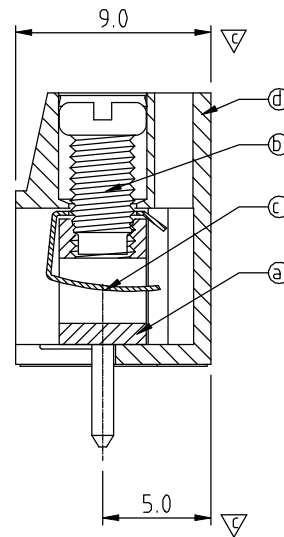
TA xx 00 x x xxxx G

| | Color | Dim A | RoHS compliant (lead<4%) In copper Alloy |
|-------------|---------------------|---------|--|
| 02 2 POLES | 0 Black (RAL9005) | 0 4.4mm | 0000 Standard @ Logo |
| 03 3 POLES | 2 Red (RAL3001/D) | 1 3.8mm | 000A Standard ANY Logo |
| ... | 3 Orange(RAL2011/P) | 2 3.5mm | Any special item by customer request, please contact sales department. |
| 24 24 POLES | 4 Yellow(RAL1018/A) | | |
| | 5 Green(RAL6018/T) | | |
| | 6 Blue (RAL5015/A) | | |
| | 8 Grey(RAL7035/D) | | |
| | C Green(RAL6018/U) | | |

| | | | | | | | |
|---|--|-------------------------|----------------------|----------------------|----------|------------------------------------|---|
| ANYTEK | | | | CUSTOMER COPY | | | |
| ALL RIGHTS RESERVED. REPRODUCTION OR ISSUE TO THIRD PARTIES IN ANY FORM WHATSOEVER IS NOT PERMITTED WITHOUT WRITTEN AUTHORITY FROM THE PROPRIETOR. PROPERTY OF ANYTEK TECHNOLOGY CO., LTD | | | | | | | |
| TITLE | | TA - 5.0mm series "+/-" | | | | | |
| PART NO. | | TAXX00XXXXXXG | | | DWG NO. | | 8TA0001 |
| APPROVED | | CHECKED | DESIGNED | DRAWN | CUST NO. | | Tolerance |
| | | | Guoxue 2013.12.03 | Guoxue 2013.12.03 | | | X. ±0.50 X.X ±0.30 X.XX ±0.10 X° ±1° |
| | | | | SHEET: 01/01 | | UNIT: mm SCALE: NONE REV.: G | |



RECOMMENDED PCB LAYOUT
TOP VIEW



N = Number of poles
Dim L = N x 5.0
Dim P = (N - 1) x 5.0

| | Dim L | Dim P |
|--------|-------|-------|
| 2-6p | ±0.15 | ±0.10 |
| 7-12p | ±0.20 | ±0.20 |
| 13-18p | ±0.30 | ±0.25 |
| 19-24p | ±0.40 | ±0.30 |

| SIGN | DATE | DESCRIPTION | APPROVER |
|------|----------|--|----------|
| △ | 12.01'09 | Wire range changed from 1.0-2.5mm ² to 0.5-2.5mm ² | Kind |
| △ | 12.01'09 | Operating Tem. changed from -30°~105° to -40°~115° | Kind |
| △ | 05/18'10 | Solid wire changed from 14-22 to 14-26 | Tason |
| △ | 05/18'10 | Stranded wire changed from 14-22 to 14-26 | Tason |
| △ | 05/18'10 | Torque changed from 2.6Lb-In/0.6Nm to 2.6Lb-In/0.5Nm | Tason |
| △ | 02/21'13 | update the drawing | Guoxue |
| △ | 02/21'13 | update the drawing | Guoxue |
| △ | 11/28'13 | update the drawing | Guoxue |

THIS IS CAD DRAWING, DO NOT REVISE MANUALLY!!!

Material

- (a) Terminal body : Brass(CuZn) , Tin plated
- (b) Terminal screw: Steel Zinc plating "-" slot type
- (c) Wire guard: Stainless steel
- (d) Terminal housing: Thermoplastic (UL94V-0)

△ Electrical UL/CSA/VDE

- Voltage rating: 250VAC/250VAC/250VAC
- Current rating: 16A/16A/16A
- △ ● Wire range: 0.5-2.5mm²
- △ ● Solid wire(AWG): 14-26/14-22
- △ ● Stranded wire(AWG): 14-26/14-22
- △ ● Torque: 2.6Lb-In/3.5kgf.cm/0.5Nm
- Screw: M3

- Wire strip length: 6-7mm
- Withstanding Voltage: 1.5KV/1.5KV/2KV
- △ ● Operating temperature: -40°C to +115°C
- △ ● Soldering temperature: 260°C±5°C/5 Sec

- △ ● SAFETY APPROVAL DATA: G RoHS compliant (lead<4%) In copper Alloy
- Critical dimension: ▽

△△ TA xx 01 x x xxxx G

| | Color | Dim A | |
|-------------|---------------------|---------|------------------------|
| 02 2 POLES | 0 Black (RAL9005) | 0 4.4mm | 0000 Standard @ Logo |
| 03 3 POLES | 2 Red (RAL3001/D) | 1 3.8mm | 000A Standard ANY Logo |
| ... | 3 Orange(RAL2011/P) | 2 3.5mm | Any special item by |
| 24 24 POLES | 4 Yellow(RAL1018/A) | | customer request, |
| | 5 Green(RAL6018/T) | | please contact sales |
| | 6 Blue (RAL5015/A) | | department. |
| | 8 Grey(RAL7035/D) | | |
| | C Green(RAL6018/U) | | |

| | | | | |
|---------------|-----------------------|------------------------------------|----------------------|---|
| ANYTEK | | CUSTOMER COPY | | |
| | | | | ALL RIGHTS RESERVED. REPRODUCTION OR ISSUE TO THIRD PARTIES IN ANY FORM WHATSOEVER IS NOT PERMITTED WITHOUT WRITTEN AUTHORITY FROM THE PROPRIETOR. PROPERTY OF ANYTEK TECHNOLOGY CO., LTD |
| TITLE | TA - 5.0mm series "-" | | | |
| PART NO. | TAXX01xxxxxxG | DWG NO. | 8TA0011 | |
| APPROVED | CHECKED | DESIGNED | DRAWN | CUST NO. |
| | | Guoxue 2013.12.03 | Guoxue 2013.12.03 | |
| | | | | Tolerance X. ±0.50 X.X ±0.30 X.XX ±0.10 X° ±1° |
| SHEET: 01/01 | | UNIT: mm SCALE: NONE REV.: F | | |