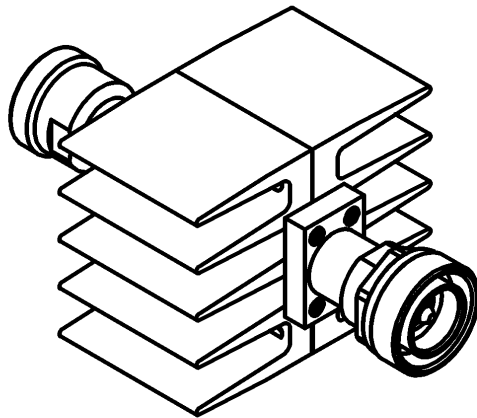
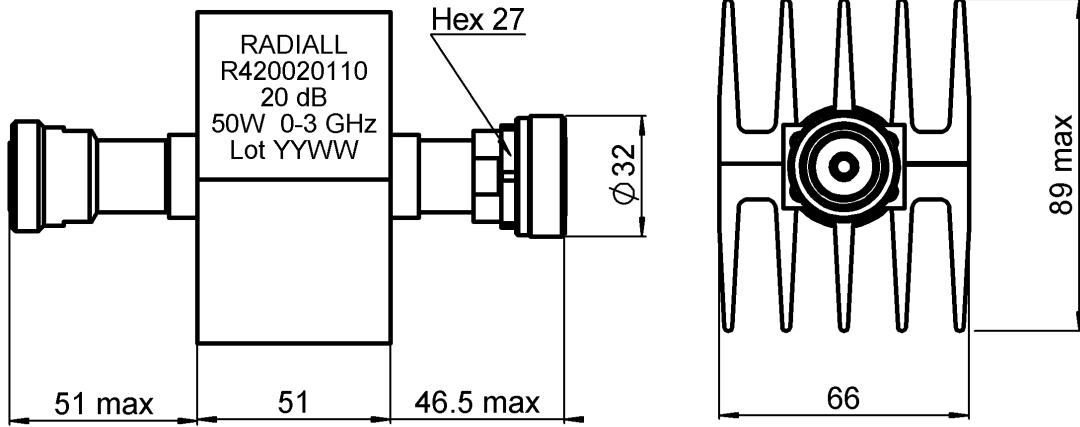


7-16 ATTENUATOR

20 DB 3 GHZ 50W

R420.020.110

Series : ATTENUATOR



All dimensions are in mm.



COMPONENTS	MATERIALS	PLATING(μm)
BODY	BRASS	BBR0.5 OVER SILVER 3
MALE CENTER CONTACT	BRASS	BBR0.5 OVER SILVER 3
FEMALE CENTER CONTACT	BERYLLIUM COPPER	BBR0.5 OVER SILVER 3
OUTER CONTACT	BRASS	.BBR 0.5 OVER SILVER 5
INSULATOR	PTFE	
GASKET	SILICONE RUBBER	
SUBSTRATE	ALUMINA	
RESISTOR	THICK FILM	
OTHERS PARTS	ALUMINIUM	BLACK PAINTING

Issue : 0746 A

In the effort to improve our products, we reserve the right to make changes judged to be necessary.

7-16 ATTENUATOR

R420.020.110

20 DB 3 GHZ 50W

Series : ATTENUATOR

ELECTRICAL CHARACTERISTICS

Frequency (GHz)	DC - 1	1 - 2	2 - 3
V.S.W.R (≤)	1.10	1.25	1.35
Deviation(±dB)	2.0	2.0	2.0

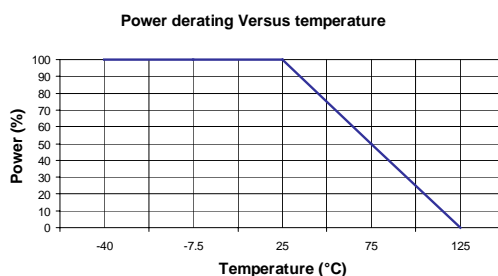
Operating Frequency Range	DC - 3	GHz
Impedance	50	Ω
Nominal Attenuation	20	dB
Peak power at 25°C (1μs, 1%)	5000	W
Average power at 25°C	50	W (Free Air Cooled)
		W (Conduction Cooled)

MECHANICAL CHARACTERISTICS

Connectors	7-16	Male Female	IEC 169-4
Weight	594,9370	g	

ENVIRONMENTAL CHARACTERISTICS

Operating temperature range	-55 / +125	°C
Storage temperature range	-55 / +125	°C



SPECIFICATION

OTHER CHARACTERISTICS

Issue : 0746 A

In the effort to improve our products, we reserve the right to make changes judged to be necessary.