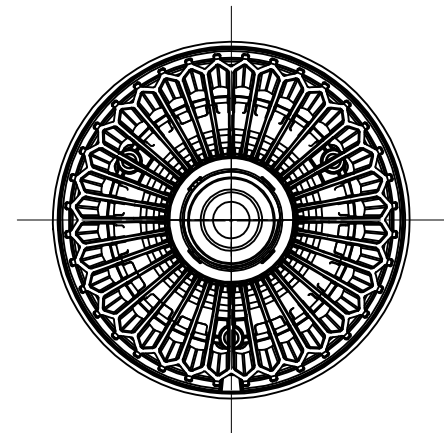
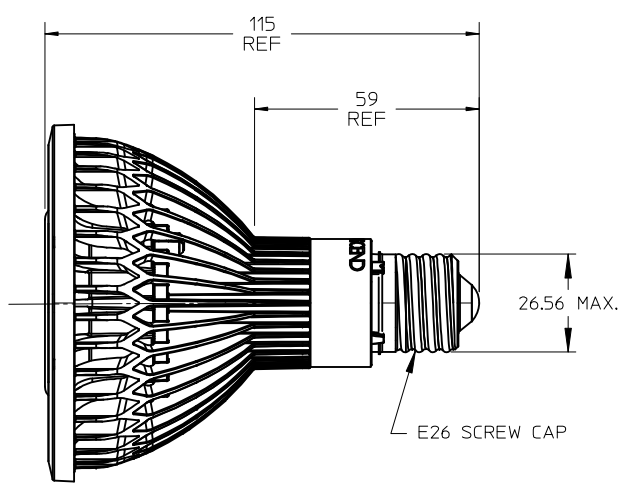
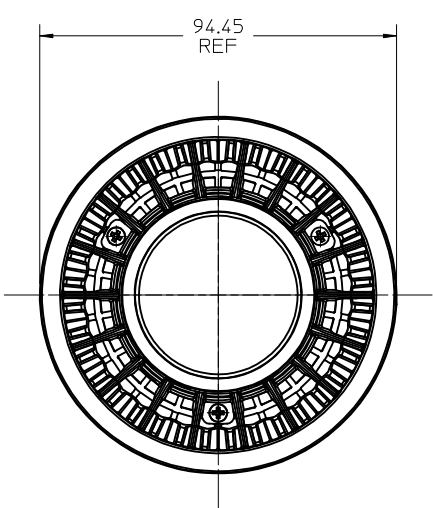
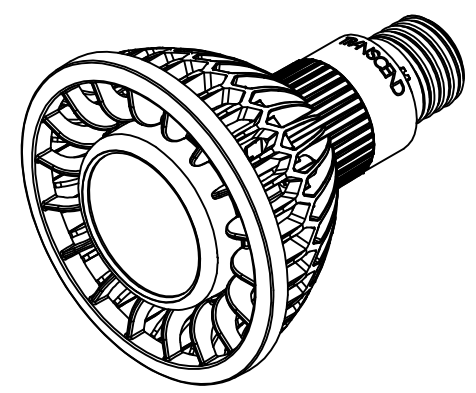


| KIT MATERIAL NO. | DESCRIPTION | SPQ | PACKAGING SPECIFICATION | LAMP P/N MARKING |
|------------------|---|-----|-------------------------|------------------|
| 1801302021 | PAR30-L LED LAMP IN TRAY PACKAGING | 16 | E-180130-900 | 1801302020 |
| 1801302022 | PAR30-L LED LAMP IN CLAMSHELL PACKAGING | 4 | E-180130-901 | 1801302020 |



- NOTES:
- 1) MEETS UL 1993 TESTING FOR SELF BALLASTED LAMPS AND LAMP ADAPTERS.
 - 2) UL FILE E322950.
 - 3) OPERATING VOLTAGE: 120VOLTS @ 60HZ
 - 4) POWER CONSUMPTION: 12.5 WATTS.
 - 5) LUMEN OUTPUT: 700 LUMENS.
 - 6) COLOR TEMP: 3000K
 - 7) POWER FACTOR: GREATER THAN 0.90.
 - 8) SUITABLE FOR DAMP ENVIRONMENT.
 - 9) DO NOT USE WHERE DIRECTLY EXPOSED TO WATER.
 - 9) NOT FOR USE IN TOTALLY ENCLOSED FIXTURES.

| | | | | | | | | | |
|--------------------------------------|---|-------------|-----------------|--|--------|-----------------|---|--------------|------------------------|
| PROD. RELEASE EC NO: SSL2013-0047 | DRWNG: DACHAMME 2012/10/16 CHKD: DACHAMMER 2012/10/16 APPR: DMCGOWAN 2012/10/17 | DESCRIPTION | QUALITY SYMBOLS | GENERAL TOLERANCES (UNLESS SPECIFIED) | | DIMENSION STYLE | SCALE | DESIGN UNITS | THIRD ANGLE PROJECTION |
| | | | | mm | INCH | MM ONLY | 1:1 | METRIC | |
| REV | REV | DESCRIPTION | QUALITY SYMBOLS | 4 PLACES | ± --- | ± --- | DRAWN BY | DATE | TITLE |
| | | | | 3 PLACES | ± --- | ± --- | FJAKL I C | 2011/03/24 | |
| | | | | 2 PLACES | ± 0.13 | ± --- | CHECKED BY | DATE | MATERIAL NO. |
| | | | | 1 PLACE | ± 0.25 | ± --- | ACHAMMER | 2011/11/15 | |
| | | | | ANGULAR ± 1/2° | | | APPROVED BY | DATE | SHEET NO. |
| | | | | DRAFT WHERE APPLICABLE MUST REMAIN WITHIN DIMENSIONS | | | DMCGOWAN | 2011/11/29 | |
| | | | | | | SIZE | THIS DRAWING CONTAINS INFORMATION THAT IS PROPRIETARY TO MOLEX INCORPORATED AND SHOULD NOT BE USED WITHOUT WRITTEN PERMISSION | | |