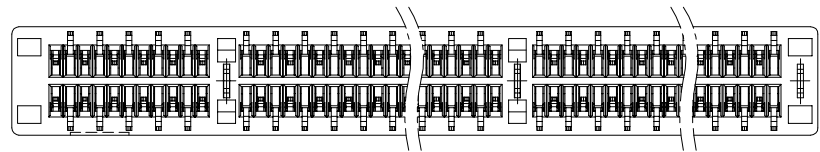
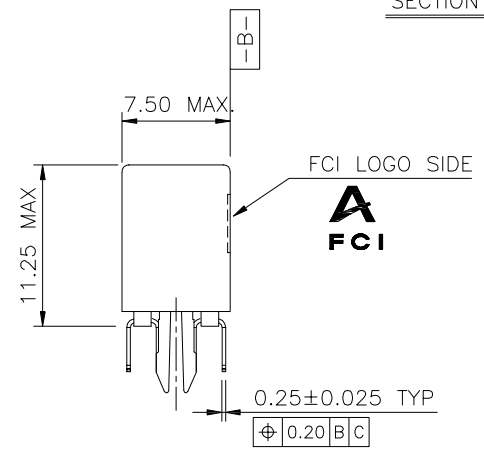
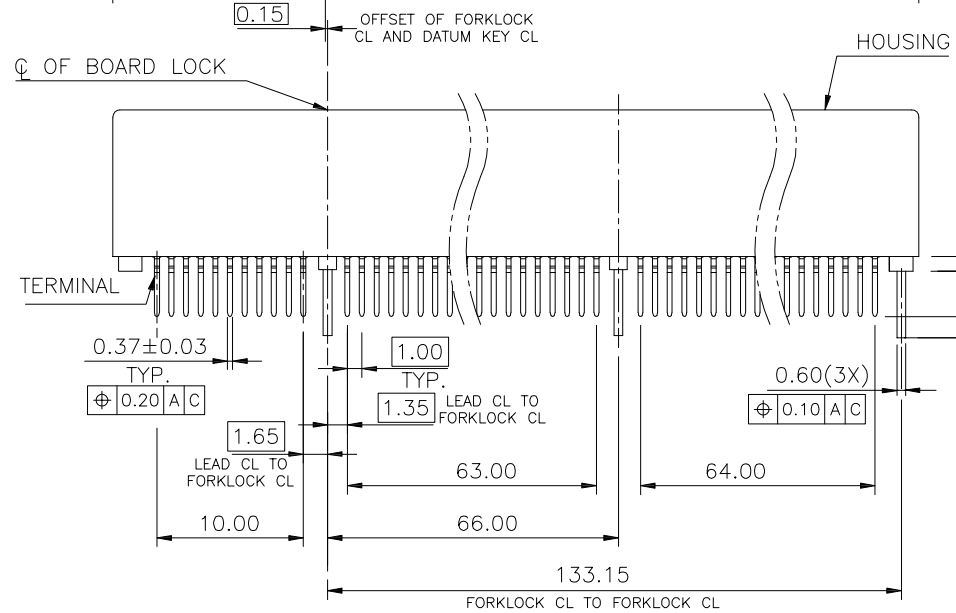
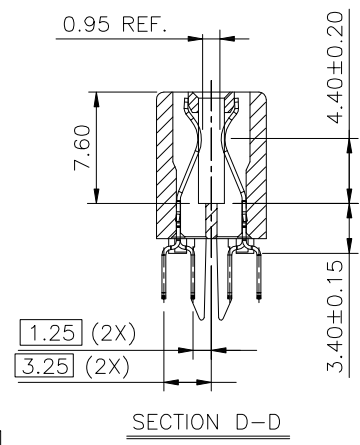
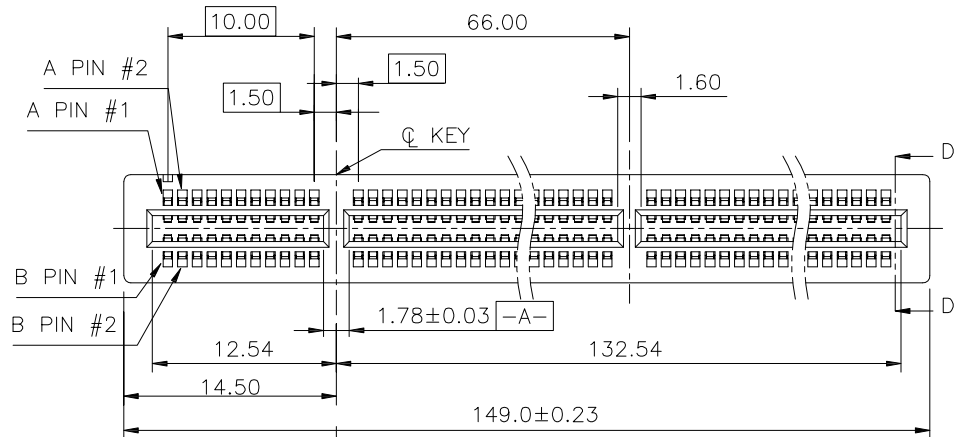


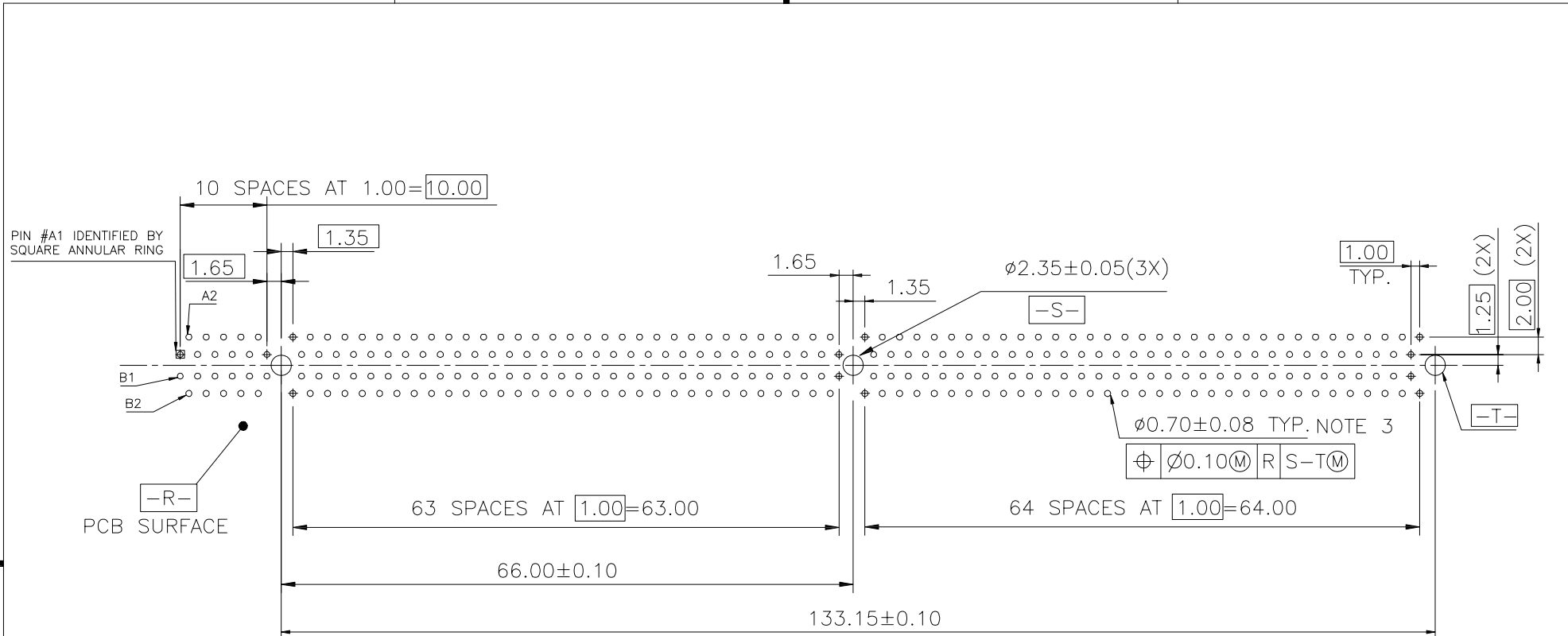
PRODUCT NO.
10027747-X1XXXX



CONFIDENTIAL


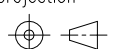

mat'l. code		tolerances unless otherwise specified				CUSTOMER COPY		FCI www.fciconnect.com	
ltr	ecn no	dr	date	linear	.X ± 0.30	projection	title	PCI EXPRESS GEN3 CARD EDGE ASSY 280P	
A	T04-0386	M W	10/07/04		.XX ± 0.20	MM			
B	T04-0427	M W	12/10/04	angles	.XXX ± 0.10	scale	product family	EDGE CARD	code
C	T05-0010	M W	01/11/05		0° ± 2°	2:1	size	dwg no	TWN
D	ELX-DG-21161-1	S T	05/27/15	dr	STONE LI	05/27/15	A4	10027747	sheet
-	-	-	-	engr	STONE LI	05/27/15			1 of 4
				chr	/	/			
				appd	PM ZHENG	05/27/15			
sheet index	revision sheet	D 1	D 2	D 3	D 4				

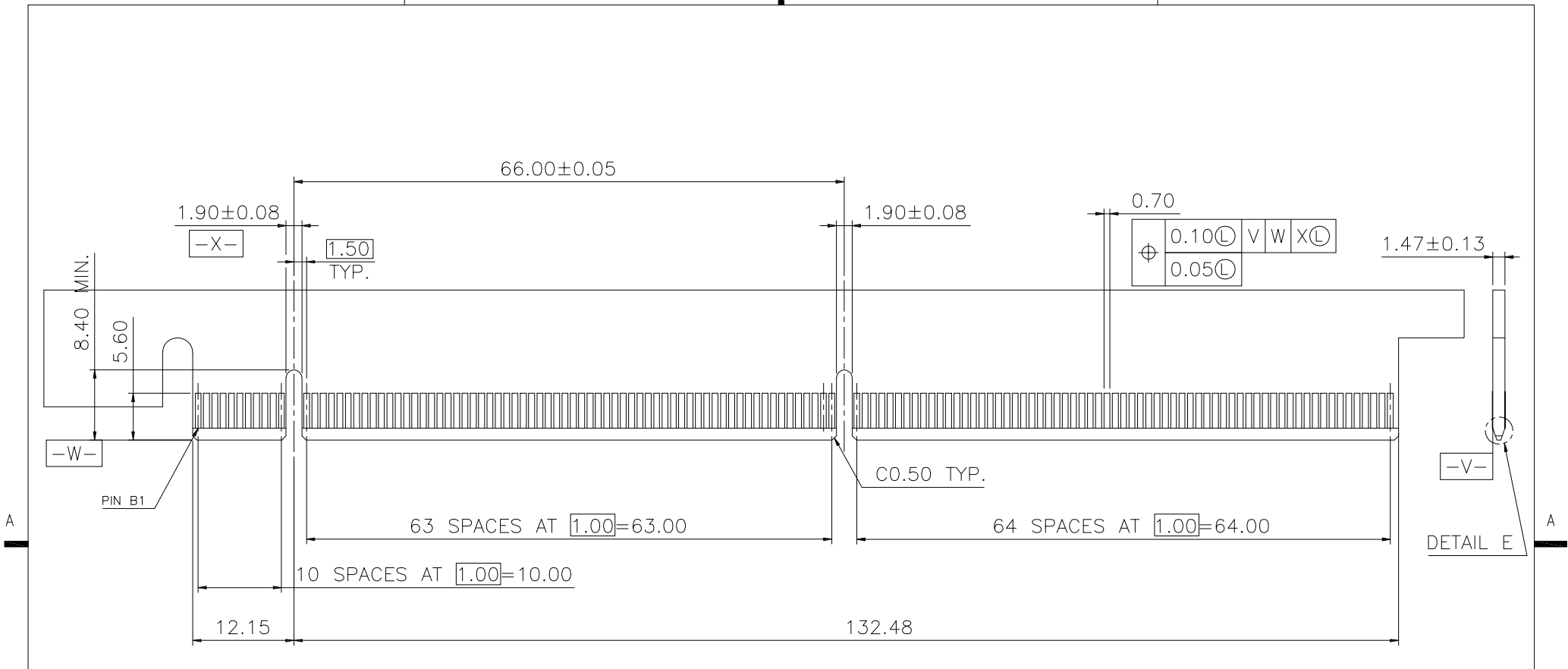
cage code
22526



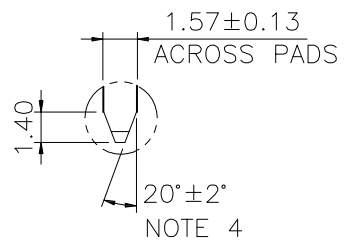
MOTHER BOARD FOOTPRINT PATTERN
CONNECTOR SIDE SHOWN

CONFIDENTIAL

mat'l. code				tolerances unless otherwise specified		CUSTOMER COPY		 www.fciconnect.com			
ltr	ecn no	dr	date	linear	.X ±	projection	title				
					.XX ±		PCI EXPRESS GEN3 				
				angles	.XXX ±		CARD EDGE ASS'Y 280P				
					0° ±2°	MM	product family	EDGE CARD	code		
				dr	STONE LI 05/27/15		size	dwg no	TWN		
				enr	STONE LI 05/27/15	scale	A4		10027747		
				chr	/ /		1.5:1	sheet		2 of 4	
				appd	PM ZHENG 05/27/15						
sheet index		revision sheet								cage code	
										22526	



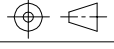


DAUGHTER CARD
PRIMARY (COMPONENT) SIDE



SCALE 2:1
DETAIL E

CONFIDENTIAL

mat'l. code				tolerances unless otherwise specified			CUSTOMER COPY		 www.fciconnect.com		
ltr	ecn no	dr	date	linear	.X ±		projection	title			
					.XX ±			PCI EXPRESS GEN3  CARD EDGE ASS'Y 280P			
					.XXX ±			product family			
				angles	0° ±2°		 MM	EDGE CARD		code	
				dr	STONE LI	05/27/15		size dwg no		TWN	
				enr	STONE LI	05/27/15		A4		10027747	sheet
				chr	/	/		scale		1.5:1	3 of 4
				appd	PM ZHENG	05/27/15	cage code				
sheet index	revision sheet										22526

