

Hi-Ratio Cable Breakout Boot Eight Entry

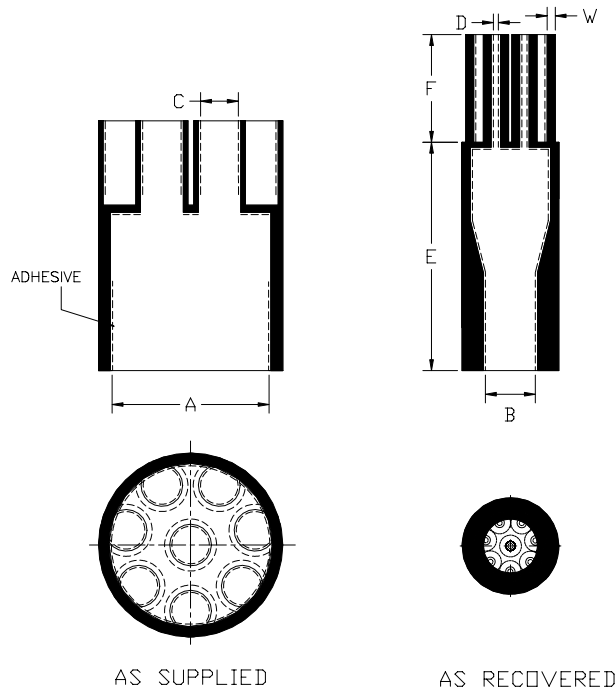


Table of Dimensions, inch (mm):

PART NUMBER (See Note*)	Body ID		Leg ID		Length Recovered Min		Rec'd. Wall Ref (W)
	Min. Exp. (A)	Max. Rec'd (B)	Min. Exp. (C)	Max. Rec'd (D)	(E), Body	(F), Leg	
8S14-50FR	2.09 (53)	0.75 (19)	0.62 (16)	0.13 (3)	2.65 (67)	1.40 (36)	0.10 (2.5)
8S42-100FR	2.50 (64)	0.75 (19)	0.87 (22)	0.13 (3)	2.65 (67)	1.40 (36)	0.10 (2.5)

Note*: Add "NA" to the end of Part Number if no adhesive is required

Material: -152, heat shrinkable, crosslinked flexible polyolefin per Mil-I-81765/1A Type II

Factory applied sealant: Hot melt adhesive provided on the shrinkable portion of the boot is standard.

Tyco Electronics Corporation 300 Constitution Drive Menlo Park, CA 94025 USA		<h1 style="margin: 0;">Raychem</h1>						
Specification Control Drawing		Title: Hi-Ratio Cable Breakout Boot Eight Entry						
		Size A	Cage Code 06090	Document No. 8SXXX-XXXFR-High-Ratio				
UNLESS OTHERWISE SPECIFIED DIMENSIONS ARE IN INCHES. METRIC DIMENSIONS ARE SHOWN IN BRACKETS		Tyco Electronics reserves the right to amend this drawing at any time. Users should evaluate the suitability of the product for their application.			Rev.: A		Rev. Date: 25-Mar-03	
Drawn By: A.. Ng	Org. Date: 03/17/03	Original file: N/A		File : r030160.doc	Scale: None	Sheet: 1 of 1		

If this document is printed it becomes uncontrolled. Check for the latest revision.