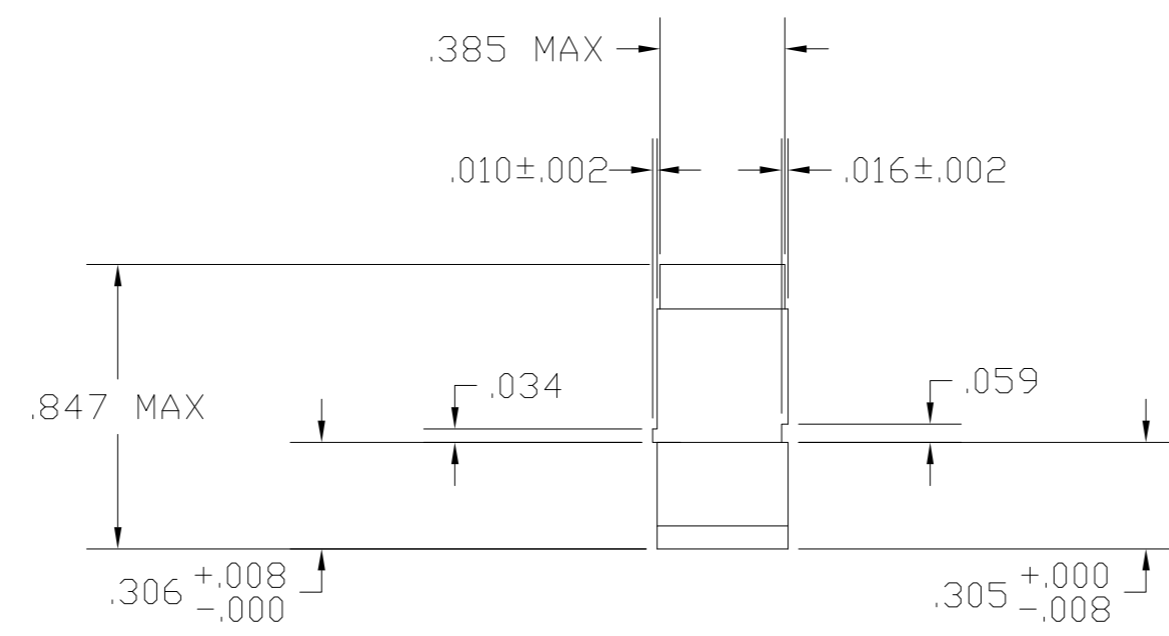
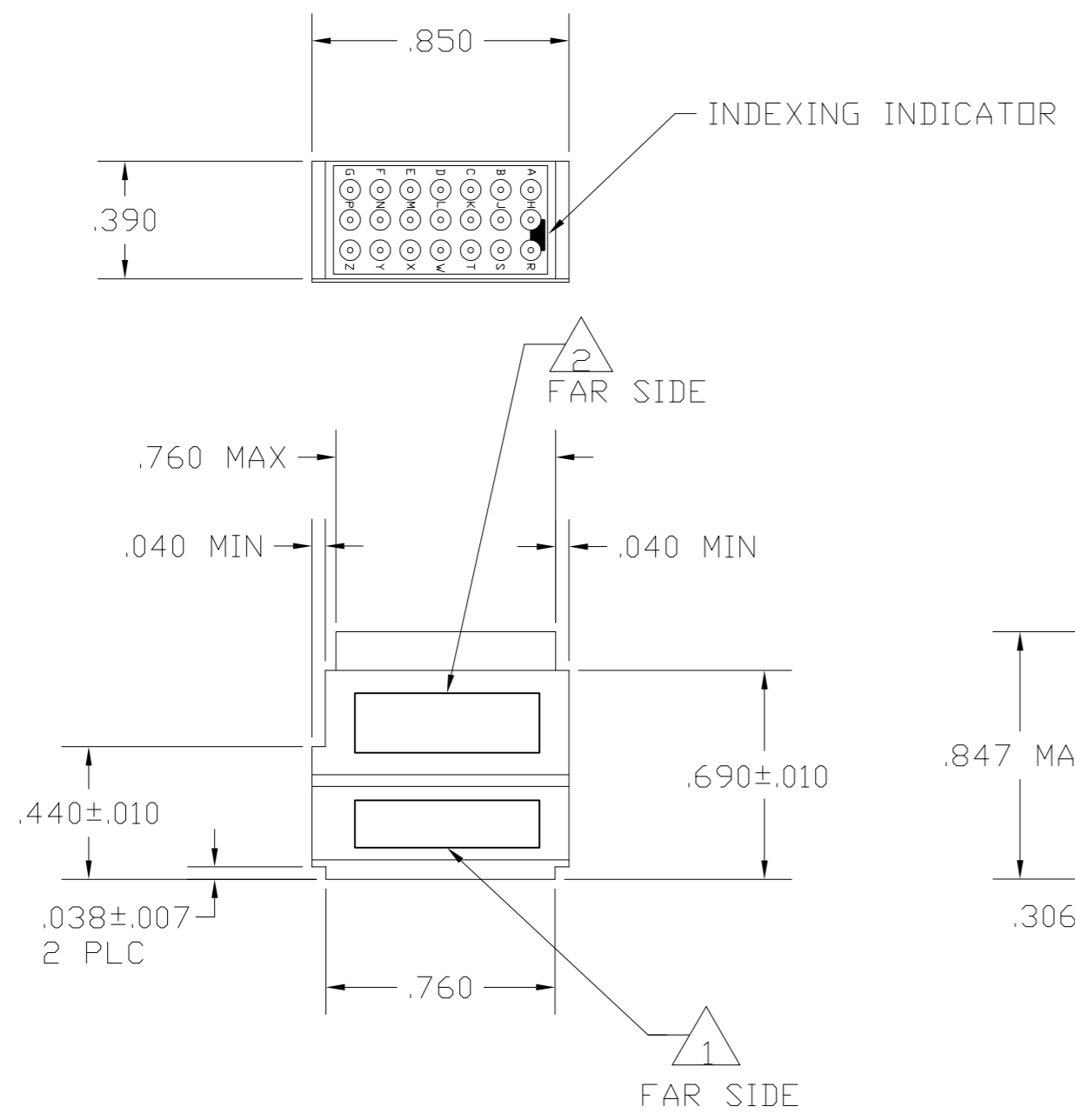
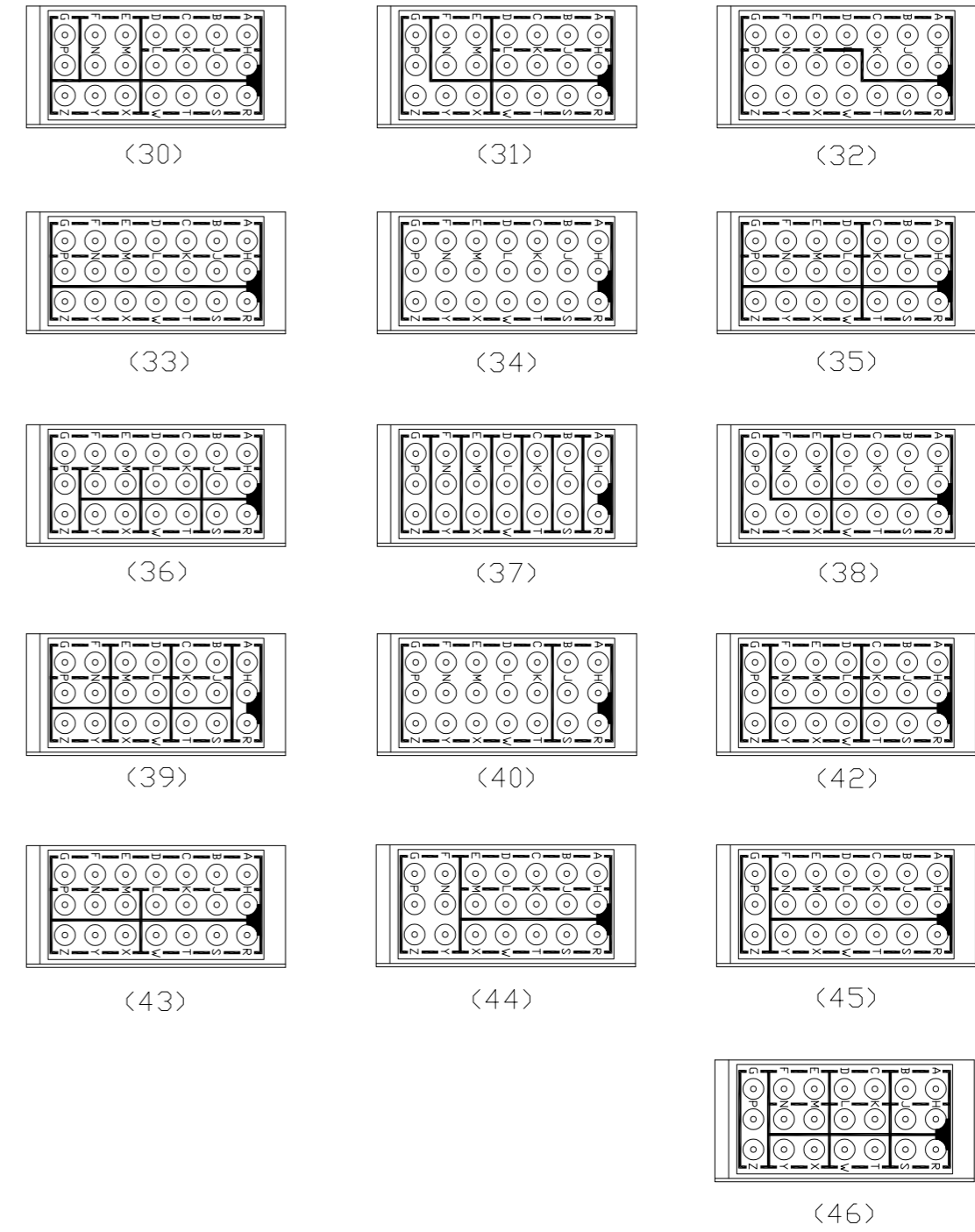


THIS DRAWING IS UNPUBLISHED.		RELEASED FOR PUBLICATION
© COPYRIGHT - By -		ALL RIGHTS RESERVED.
DESCRIPTION	MATERIAL	FINISH
MODULE ASSEMBLY	D.A.P. PER MIL-M14 TYPE SDG-F	COLOR: GREEN
GROMMET	FLUORSILICONE RUBBER MPS #10149	COLOR: GREEN
CONTACT SOCKET	BERYLLIUM COPPER PER ASTM B194	GOLD PLATE PER MIL-G-45204
RETAINING CLIP	BERYLLIUM COPPER PER ASTM B194 OR STAINLESS STEEL PER QQ-S-766	NONE
CONTACTS	COPPER ALLOY PER MIL-C-39029/1	GOLD PLATE PER MIL-G-45204
SEALING PLUGS	F.E.P. PER MIL-P-19468	COLOR: BLACK

LDC	DIST	REVISIONS					
		P	LTR	DESCRIPTION	DATE	DWN	APVD
DF	AO	B		REV PER ECO-11-011660	11 JUL 11	PY	DE



BUSSING ARRANGEMENTS

- CONTACTS AND SEALING PLUGS ARE PACKAGED SEPARATELY WHEN REQUIRED.
- BUSSING ARRANGEMENT OUTLINE DENOTES INTERNAL ARRANGEMENT OF CONTACT SOCKETS.
- MARK MODULE ASSEMBLY WITH CUSTOMER PART NO., MILITARY PART NO. IF REQUIRED .060 MINIMUM HIGH CHARACTERS AT APPROXIMATE AREA SHOWN.
- MARK MODULE ASSEMBLY WITH "AMP", AMP PART NO. AND DATE CODE .060 MINIMUM HIGH CHARACTERS AT APPROXIMATE AREA SHOWN.

THIS DRAWING IS A CONTROLLED DOCUMENT.		DWN J. MECK 31 JAN 2002	TE Connectivity	
DIMENSIONS: INCHES		CHK R. RYAN 12-14-94		
TOLERANCES UNLESS OTHERWISE SPECIFIED:		APVD R. RYAN 12-14-94	NAME -	
0 PLC ± -		PRODUCT SPEC	MODULE ASSY, FEED-BACK, SIZE 22HD, TJ	
1 PLC ± -		APPLICATION SPEC	-	
2 PLC ± -		WEIGHT	SIZE	CAGE CODE
3 PLC ± .005		WEIGHT	A2	00779
4 PLC ± -		CUSTOMER DRAWING	DRAWING NO	RESTRICTED TO
ANGLES ± -		SCALE	C=592630	-
FINISH		SCALE	2: 1	SHEET
		SHEET	1 of 2	REV
		REV	B	

THIS DRAWING IS UNPUBLISHED. RELEASED FOR PUBLICATION
 © COPYRIGHT - By - ALL RIGHTS RESERVED.


LOC		DIST		REVISIONS			
P	LTR	DESCRIPTION		DATE	DWN	APVD	
DF	A0	-	-	SEE SHEET 1	-	-	

		46	45	44	43	42	40	39	38	37	36	35	34	33	32	31	30	SEALING PLUG QTY 2	CONTACTS QTY 22	PART NO.
	MRTB21E33																			4-592630-4
SUPERSEDED BY 4-592629-3	M81714/17-A43					X												X	X	4-592630-3
	M81714/17-A41																	OBSOLETE	X	4-592630-1
	MRTB21E37								X											3-592630-9
	MRTB21E31														X					3-592630-8
	MRTB21E32																			3-592630-7
	MRTB21E39							X												3-592630-6
	MRTB21E38								X											3-592630-5
	MRTB21E44			X																3-592630-4
	MRTB21E42					X														3-592630-3
	MRTB21E36										X									3-592630-2
	MRTB21E35											X								3-592630-1
		X																		3-592630-0
		X																X	X	2-592630-9
			X																	2-592630-8
SUPERSEDED BY 4-592629-5	M81714/17-A45		X															X	X	2-592630-7
				X																2-592630-6
SUPERSEDED BY 1-592629-9	M81714/17-A44			X														X	X	2-592630-5
						X														2-592630-4
SUPERSEDED BY 4-592629-2	M81714/17-A42					X												X	X	2-592630-3
								X												2-592630-2
SUPERSEDED BY 1-592629-7	M81714/17-A40							X										X	X	2-592630-1
									X											2-592630-0
SUPERSEDED BY 1-592629-5	M81714/17-A39								X									X	X	1-592630-9
										X										1-592630-8
SUPERSEDED BY 1-592629-3	M81714/17-A38									X								X	X	1-592630-7
											X									1-592630-6
SUPERSEDED BY 1-592629-1	M81714/17-A37										X							X	X	1-592630-5
												X								1-592630-4
SUPERSEDED BY 4-592629-4	M81714/17-A36											X						X	X	1-592630-3
													X							1-592630-2
SUPERSEDED BY 592629-9	M81714/17-A35													X				X	X	1-592630-1
															X					1-592630-0
SUPERSEDED BY 592629-7	M81714/17-A34														X			X	X	592630-9
																				592630-8
SUPERSEDED BY 592629-5	M81714/17-A33															X		X	X	592630-7
																				592630-6
SUPERSEDED BY 592629-3	M81714/17-A32															X		X	X	592630-5
																				592630-4
SUPERSEDED BY 592629-1	M81714/17-A31															X		X	X	592630-3
																				592630-2
SUPERSEDED BY 4-592629-7	M81714/17-A30															X		X	X	592630-1

MARKING


BUSSING
 ARRANGEMENTS

SEALING PLUG QTY 2 
 CONTACTS QTY 22  PART NO.

THIS DRAWING IS A CONTROLLED DOCUMENT.		DWN	J.MECK	31JAN2002		TE Connectivity	
DIMENSIONS: INCHES		CHK	R.RYAN	12-14-94		NAME	
TOLERANCES UNLESS OTHERWISE SPECIFIED:		APVD	R.RYAN	12-14-94		MODULE ASSY,FEED-BACK,SIZE 22HD,TJ	
0 PLC ± - 1 PLC ± - 2 PLC ± - 3 PLC ± .005 4 PLC ± -		PRODUCT SPEC				RESTRICTED TO	
MATERIAL		FINISH			SIZE	CAGE CODE	DRAWING NO
					A2	00779	C=592630
					SCALE		SHEET
					2:1		2 of 2
					CUSTOMER DRAWING		REV
							B