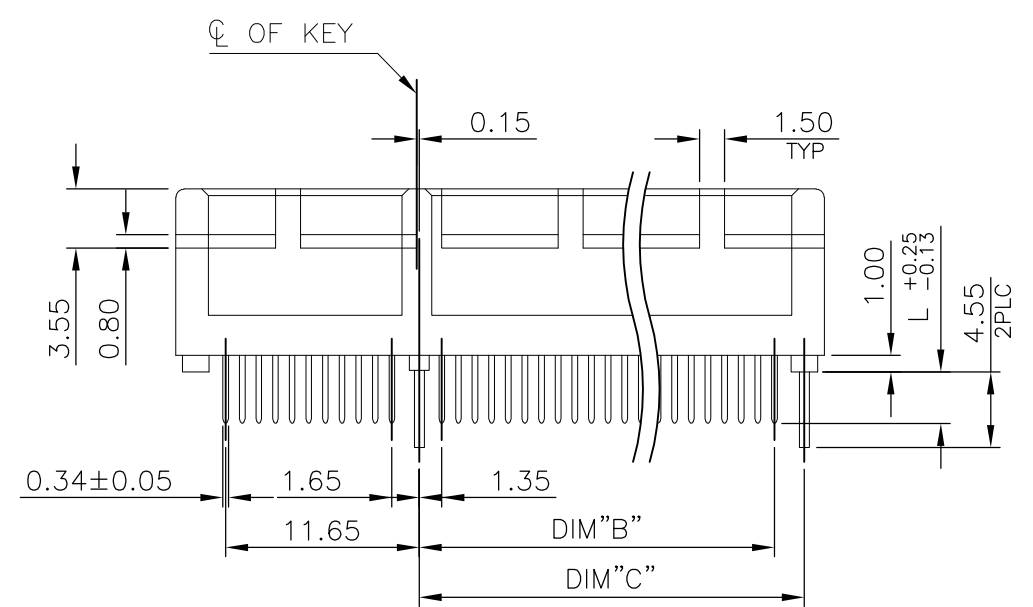


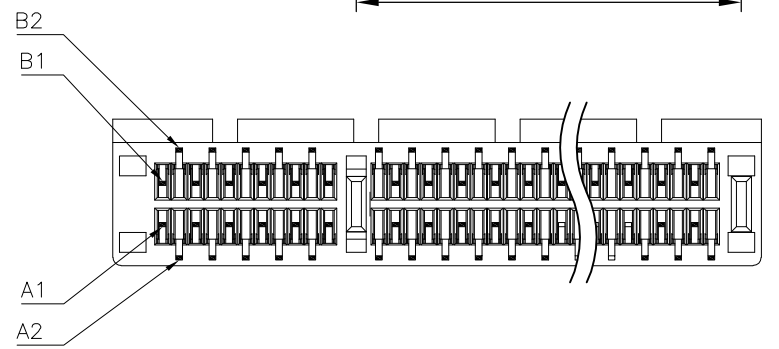
THIS DRAWING IS UNPUBLISHED. RELEASED FOR PUBLICATION
 © COPYRIGHT - By - ALL RIGHTS RESERVED.

REVISIONS					
P	LTR	DESCRIPTION	DATE	DWN	APVD
D		ECR-16-014363	11OCT2016	FL	SY

- NOTE:
- MATERIAL:
 HOUSING (SEE TABLE): PA46 OR PA9T, UL94 V-0, COLOR: BLACK.
 CONTACTS: PHOSPHOR BRONZE.
 BOARDLOCK: BRASS.
 - FINISH:
 2.1 CONTACTS: (SEE TABLE) GOLD PLATED ON CONTACT AREA, 2.54um [100u"] MIN. MATTE-TIN ON SOLDER TAIL, WITH ENTIRE CONTACT UNDERPLATED 1.27um [50u"] MIN. NICKEL.
 2.2 BOARDLOCK: 2.54um [100u"] MATTE-TIN PLATING ALL OVER NICKEL 1.27um[50u"] MIN. UNDERPLATED OVERALL.
 - WAVE SOLDER CAPABLE TO 265°C MAX. PER TE SPEC. 109-202, CONDITION B.
 - WEIGHT:
 36 POS.: 2.55 GRAMS
 64 POS.: 3.90 GRAMS
 98 POS.: 5.50 GRAMS
 164 POS.: 8.80 GRAMS
 - REFLOW SOLDER CAPABLE TO 260°C PER TE SPEC. TEC-109-201, CONDITION B.



PACKAGING	SOLDER CAPACITY	HOUSING MATERIAL	DIM L	GOLD PLATING	DIM E	DIM D	DIM C	DIM B	DIM A	POS.	PART NUMBER	
HARD TRAY	NOTE 3 & 5	PA9T	2.30	0.381µm[15µ"] MIN.	71.65	70.0	73.15	71.35	89.0	164	6-	-2
				0.762µm[30µ"] MIN.							4-	-6
			3.10	0.381µm[15µ"] MIN.	71.65	70.0	73.15	71.35	89.0	164	4-	-5
				GOLD FLASH							4-	-4
			2.30	0.762µm[30µ"] MIN.	71.65	70.0	73.15	71.35	89.0	164	4-	-3
				0.381µm[15µ"] MIN.							4-	-2
		3.10	GOLD FLASH	38.65	37.0	40.15	38.35	56.0	98	4-	-1	
			0.762µm[30µ"] MIN.							3-	-6	
		2.30	0.381µm[15µ"] MIN.	38.65	37.0	40.15	38.35	56.0	98	3-	-5	
			GOLD FLASH							3-	-4	
		3.10	0.762µm[30µ"] MIN.	21.65	20.0	23.15	21.35	39.0	64	3-	-3	
			0.381µm[15µ"] MIN.							2-	-6	
2.30	GOLD FLASH	21.65	20.0	23.15	21.35	39.0	64	2-	-5			
	0.762µm[30µ"] MIN.							2-	-4			
3.10	0.381µm[15µ"] MIN.	7.65	6.0	9.15	7.35	25.0	36	2-	-2			
	GOLD FLASH							2-	-1			
2.30	0.762µm[30µ"] MIN.	7.65	6.0	9.15	7.35	25.0	36	1-	-6			
	0.381µm[15µ"] MIN.							1-	-5			
3.10	GOLD FLASH	7.65	6.0	9.15	7.35	25.0	36	1-	-4			
	0.762µm[30µ"] MIN.							1-	-3			
2.30	0.381µm[15µ"] MIN.	7.65	6.0	9.15	7.35	25.0	36	1-	-2			
	GOLD FLASH							1-	-2			
											1-1775801-1	



THIS DRAWING IS A CONTROLLED DOCUMENT.

DWN B. HSING 21MAY2009
 CHK S. CHIEN 21MAY2009
 APVD W. KODAMA 21MAY2009

STE TE Connectivity

PCI EXPRESS CARD EDGE CONNECTOR
 VERTICAL, DIP TYPE,(BOARD-LOCK FUNCTION)

108-57375

PRODUCT SPEC
 APPLICATION SPEC

SIZE A3 CAGE CODE 00779 DRAWING NO C-1775801 RESTRICTED TO -

WEIGHT 0

CUSTOMER DRAWING SCALE 1:1 SHEET 1 OF 4 REV D

DIMENSIONS:	TOLERANCES UNLESS OTHERWISE SPECIFIED:
mm	
	0 PLC ± -
	1 PLC ± 0.3
	2 PLC ± 0.2
	3 PLC ± 0.15
	4 PLC ± -
	ANGLES ± 3'

MATERIAL SEE NOTE FINISH SEE NOTE

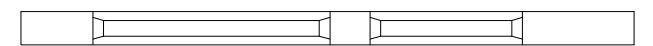
THIS DRAWING IS UNPUBLISHED. RELEASED FOR PUBLICATION
 © COPYRIGHT - By - ALL RIGHTS RESERVED.

REVISIONS					
P	LTR	DESCRIPTION	DATE	DWN	APVD
-	-	SEE SHEET 1	-	-	-

1. NO TIE BAR PERMITTED FROM CARD EDGE TO LEADING EDGE OF PAD FOR PINS A1 AND "K"
2. CHAMFER EDGE MUST BE FREE OF CUTTING BURRS



I/O PANEL DIRECTION
 PRIMARY (COMPONENT) SIDE



SECONDARY (SOLDER) SIDE



RECOMMENDED PCB LAYOUT

TOLERANCE: ±0.05
 DIM.L=3.1mm THICKNESS: 2.4mm
 DIM.L=2.3mm THICKNESS: 1.6mm

POS.	N	DIM. F	DIM. G	DIM. H	"K"
36	6	8.15	9.15	7.35	B17
64	20	22.15	23.15	21.35	B17,B31
98	37	39.15	40.15	38.35	B17,B31,B48
164	70	72.15	73.15	71.35	B17,B31,B48,B81

THIS DRAWING IS A CONTROLLED DOCUMENT.		DWN B. HSING 21MAY2009	TE Connectivity			
DIMENSIONS: mm		CHK S. CHIEN 21MAY2009				
TOLERANCES UNLESS OTHERWISE SPECIFIED:		APVD W. KODAMA 21MAY2009	NAME			
0 PLC ± - 1 PLC ± 0.3 2 PLC ± 0.2 3 PLC ± 0.15 4 PLC ± - ANGLES ± 3°		PRODUCT SPEC	PCI EXPRESS CARD EDGE CONNECTOR VERTICAL, DIP TYPE,(BOARD-LOCK FUNCTION)			
MATERIAL		APPLICATION SPEC	SIZE	CAGE CODE	DRAWING NO	RESTRICTED TO
FINISH		WEIGHT	A300779		C=1775801	-
CUSTOMER DRAWING			SCALE	SHEET	REV	
			1:1	2 OF 4	D	

THIS DRAWING IS UNPUBLISHED.

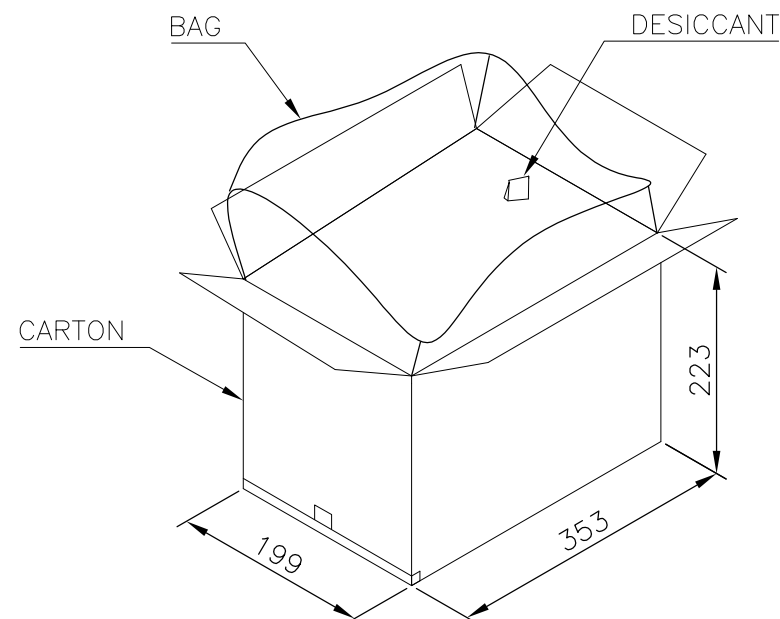
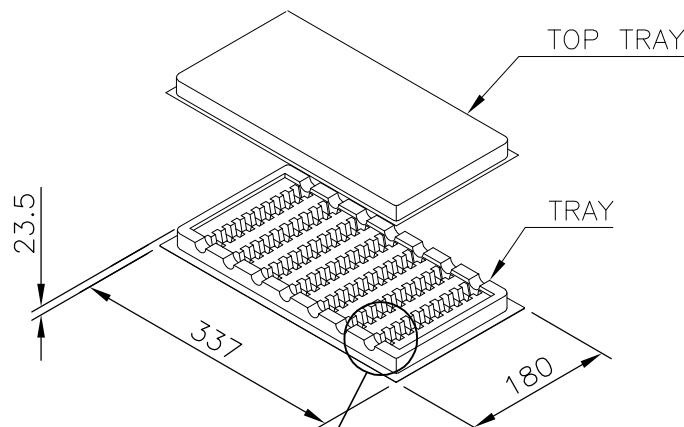
RELEASED FOR PUBLICATION

ALL RIGHTS RESERVED.

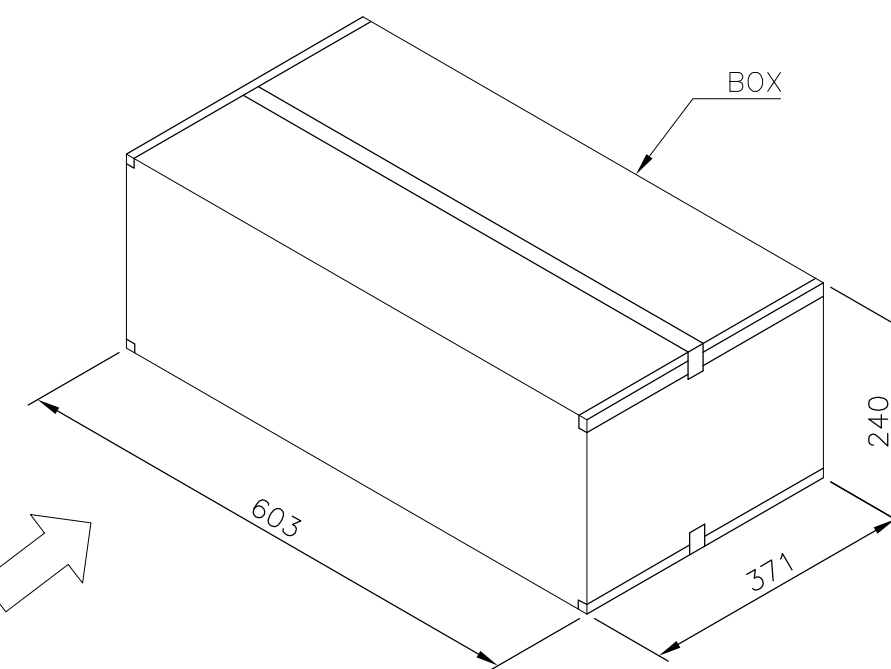
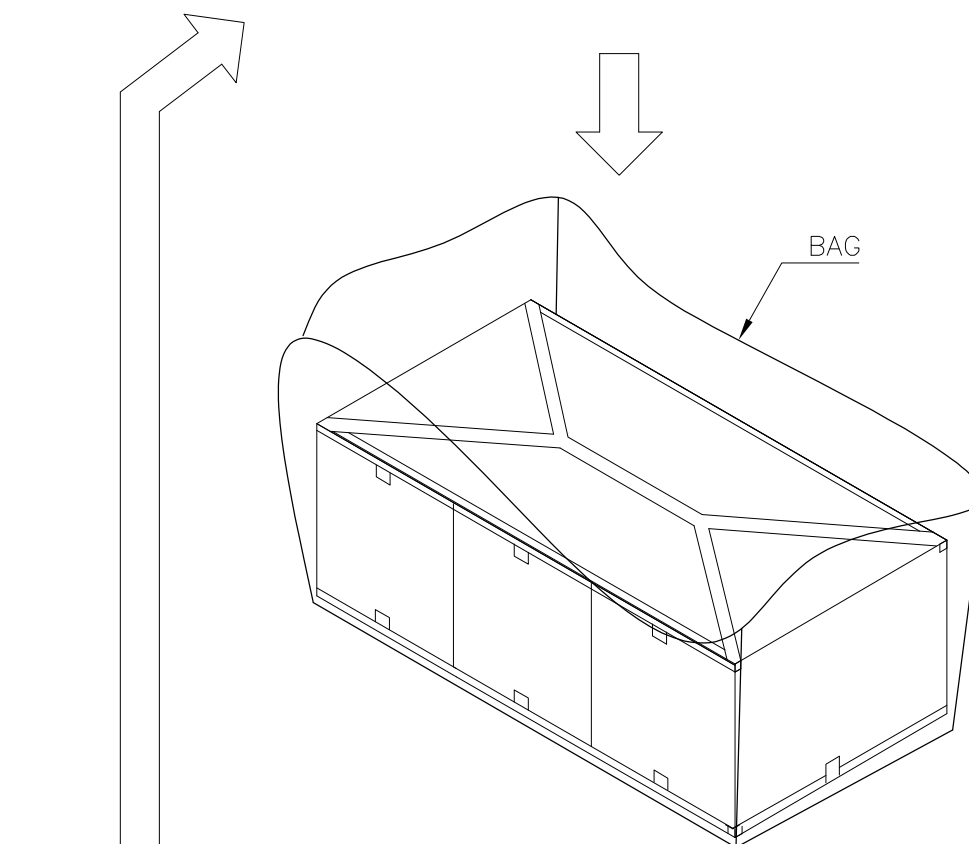
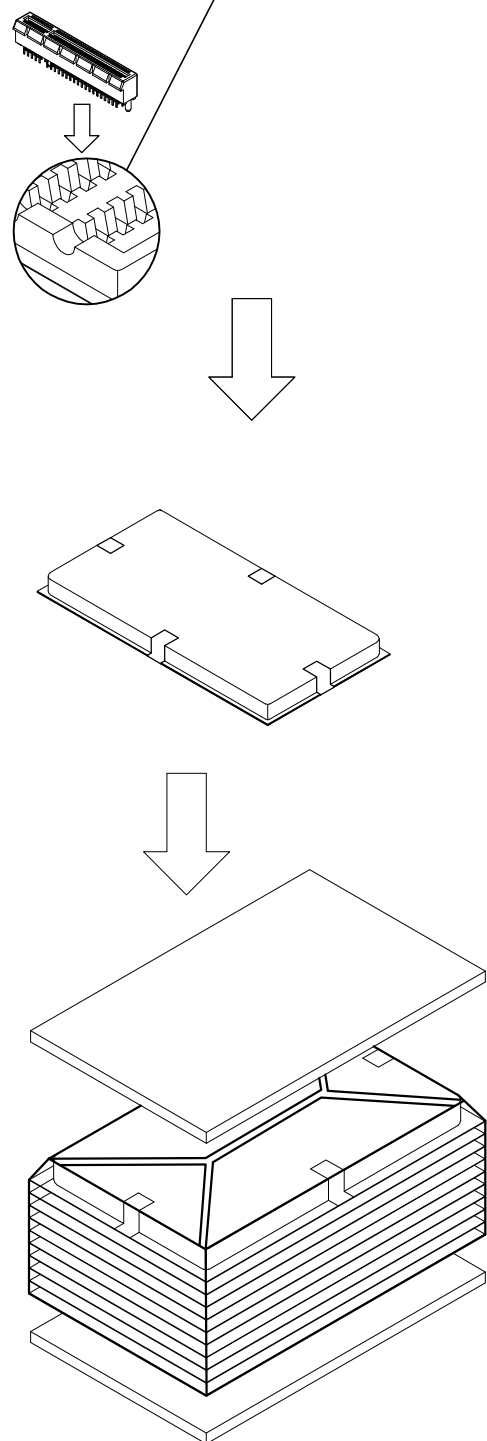
© COPYRIGHT - By -

REVISIONS

P	LTR	DESCRIPTION	DATE	DWN	APVD
-	-	SEE SHEET 1	-	-	-



- NOTES :
- MATERIAL :
TRAY : PVC, COLOR: TRANSPARENT.
CARTON: CORRUGATED FIBER
BOX: CORRUGATED FIBER
 - DIMENSION :
TRAY: SEE DRAWING
CARTON: SEE DRAWING
BOX : SEE DRAWING
 - QUANTITY : SEE TABLE
 - WEIGHT : SEE TABLE



9.6 KG	7.6 KG	30	10	3	900	164
8.5 KG	6.5 KG	40	10	3	1200	98
9.1 KG	7.1 KG	60	10	3	1800	64
7.7 KG	5.7 KG	70	10	3	2100	36
GROSS WEIGHT	NET WEIGHT	PCS/ TRAY	TRAY/ CARTON	CARTON/ BOX	PCS/ BOX	POS

THIS DRAWING IS A CONTROLLED DOCUMENT.

DIMENSIONS:	TOLERANCES UNLESS OTHERWISE SPECIFIED:
mm	
	0 PLC ± -
	1 PLC ± -
	2 PLC ± -
	3 PLC ± -
	4 PLC ± -
	ANGLES ± -
MATERIAL	FINISH
-	-

DWN	B. HSING	21MAY2009
CHK	S. CHIEN	21MAY2009
APVD	W. KODAMA	21MAY2009
PRODUCT SPEC	-	
APPLICATION SPEC	-	
WEIGHT	0	



NAME				PCI EXPRESS CARD EDGE CONNECTOR VERTICAL, DIP TYPE,(BOARD-LOCK FUNCTION)		
SIZE	CAGE CODE	DRAWING NO	RESTRICTED TO			
A3	00779	C-1775801	-			
CUSTOMER DRAWING		SCALE	SHEET	REV	D	
		1:1	3 of 4			

THIS DRAWING IS UNPUBLISHED.

RELEASED FOR PUBLICATION

ALL RIGHTS RESERVED.

© COPYRIGHT - By -

REVISIONS

P	LTR	DESCRIPTION	DATE	DWN	APVD
-	-	SEE SHEET 1	-	-	-

NOTES :

PACKING MATERIAL MET TE SPEC TEC-138-702.

* CADMIUM AND CADMIUM COMPOUNDS CONTENT:

5 PPM UNDER (PLASTIC, RUBBER, INK, PIGMENT, PAINT)

* LEAD, CADMIUM, CHROM VI AND MERCURY IN PACKAGING MATERIALS CONTENT: 100 PPM (COMBINED) UNDER.

1. MATERIAL :

TRAY: HIPS, COLOR: BLACK.

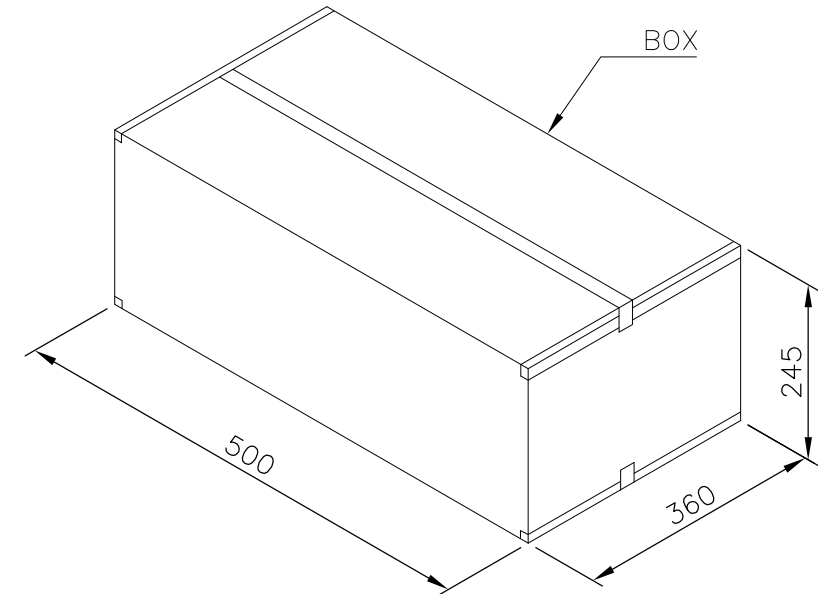
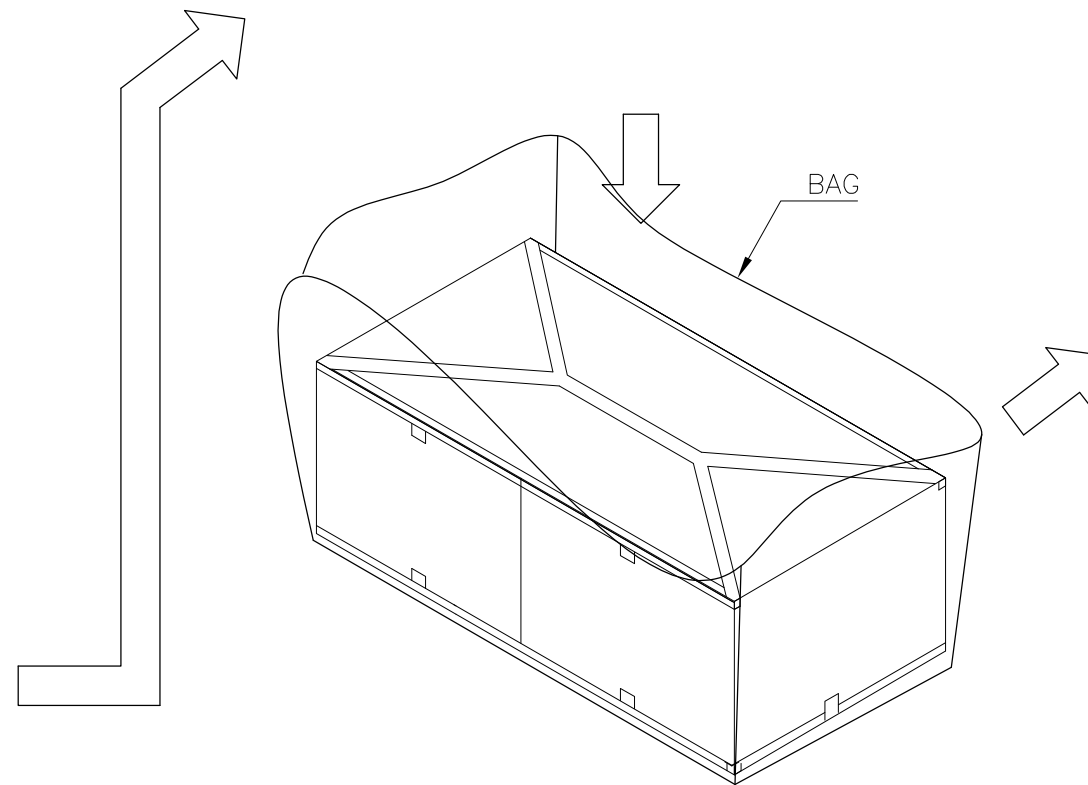
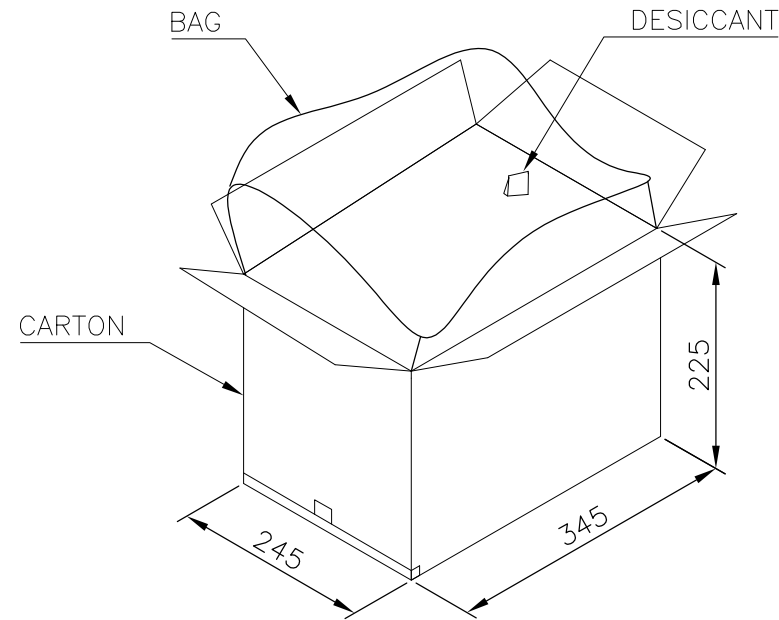
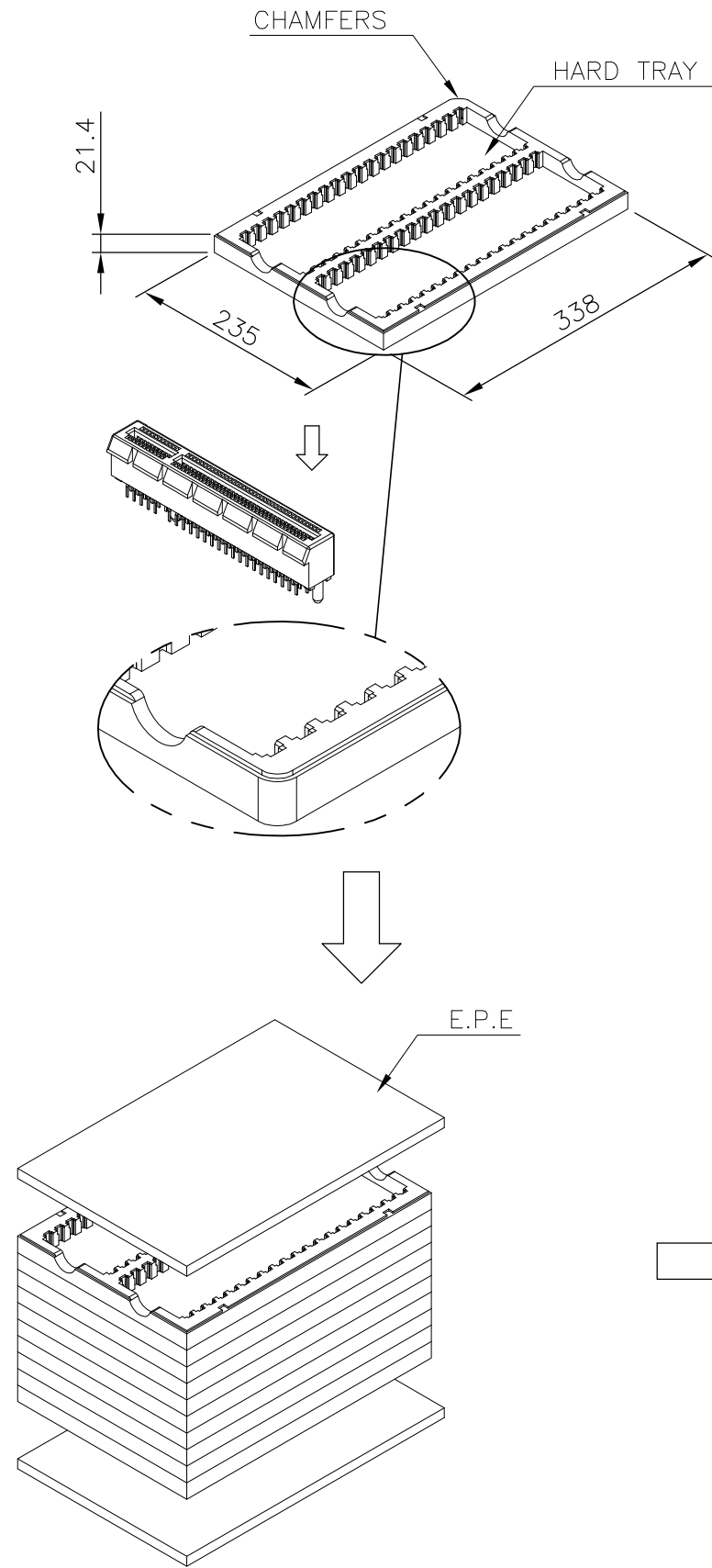
CARTON: CORRUGATED FIBER

BOX: CORRUGATED FIBER

TRANSPARENT BAG: PE, SIZE: 500mm*380mm*0.06mm
640mm*510mm*0.06mm

2. EACH BAG SHALL BE INCLUDED:

* DESICCANT



11.5 Kg	7.0 Kg	40	10	2	800	164
GROSS WEIGHT	NET WEIGHT	PCS/ TRAY	TRAY/ CARTON	CARTON/ BOX	PCS/ BOX	POS

THIS DRAWING IS A CONTROLLED DOCUMENT.

DIMENSIONS:	TOLERANCES UNLESS OTHERWISE SPECIFIED:
mm	
	0 PLC ± -
	1 PLC ± -
	2 PLC ± -
	3 PLC ± -
	4 PLC ± -
	ANGLES ± -
MATERIAL	FINISH
-	-

DWN	B. HSING	21MAY2009
CHK	S. CHIEN	21MAY2009
APVD	W. KODAMA	21MAY2009
PRODUCT SPEC	-	
APPLICATION SPEC	-	
WEIGHT	0	
CUSTOMER DRAWING		

STE TE Connectivity

PCI EXPRESS CARD EDGE CONNECTOR
VERTICAL, DIP TYPE,(BOARD-LOCK FUNCTION)

SIZE	CAGE CODE	DRAWING NO	RESTRICTED TO
A3	00779	C-1775801	-
SCALE	1:1	SHEET	4 OF 4
REV	D		