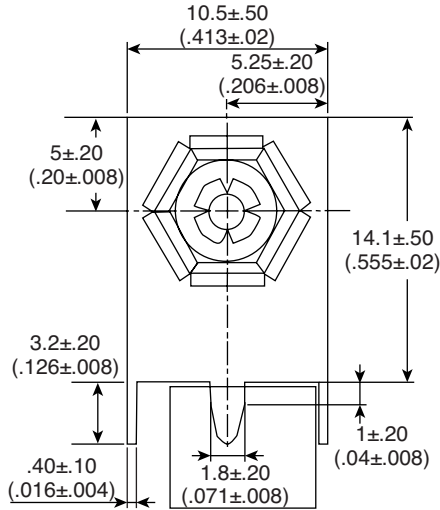
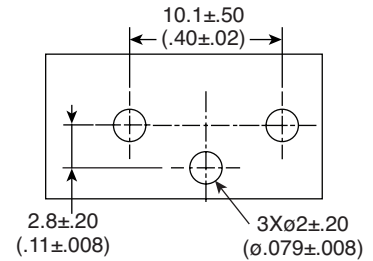
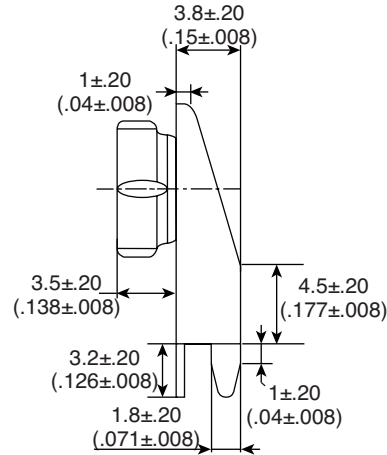


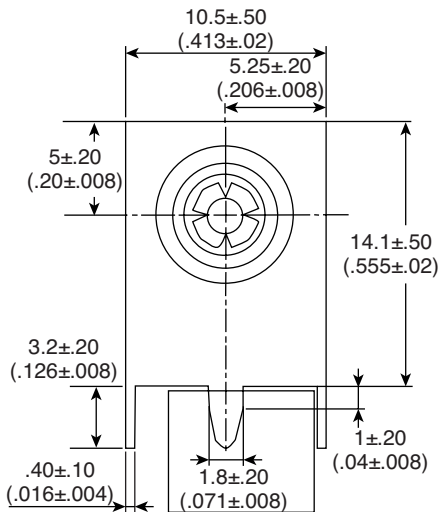
Date Last Revised: 1-09-14



Female Contact 12BC2202-GR



PCB/MOUNTING LAYOUT



Male Contact 12BC2102-GR

DIMENSIONS mm (in.)

SPECIFICATIONS	
Terminal:	With 6 prong snap terminal
Material:	Brass, nickel plated
Thickness:	0.4mm
RoHS Compliant	

Available from Mouser Electronics  
1-800-346-6873 / www.mouser.com

EPD-200926