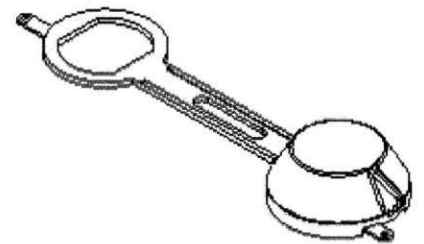
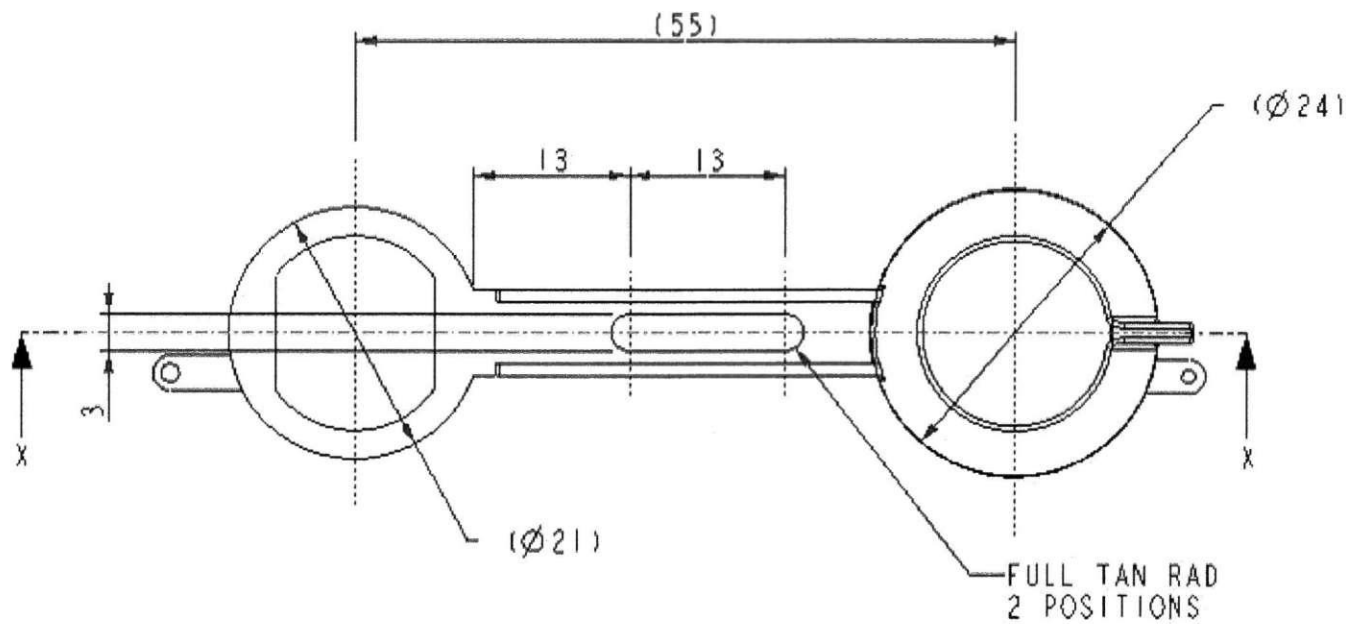
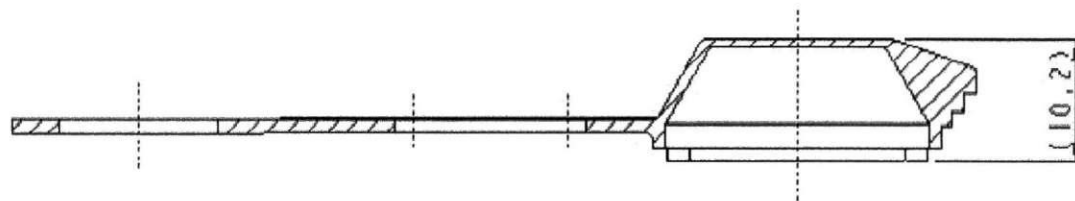


THIRD ANGLE PROJECTION



ISOMETRIC VIEW  
ACTUAL SIZE



SECTION X-X

DRAWN	S MOSLEY	ISSUE	MOD.	DATE	ISSUE	MOD.	DATE	UNLESS OTHERWISE STATED DIMENSIONS ARE mm TOLERANCES $\pm 0.2$ ANGLES $\pm 1^\circ$	ALL DIMENSIONS APPLY OVER FINISH	SCALE 2:1	TITLE
CHECKED		01	EC213	11118					MATL. SRL020	USED ON	DUST CAP, SLOTTED
DESIGN APPROVAL									FINISH		
PRODUCTION APPROVAL									LORLIN ELECTRONICS		DRG No. SRL027