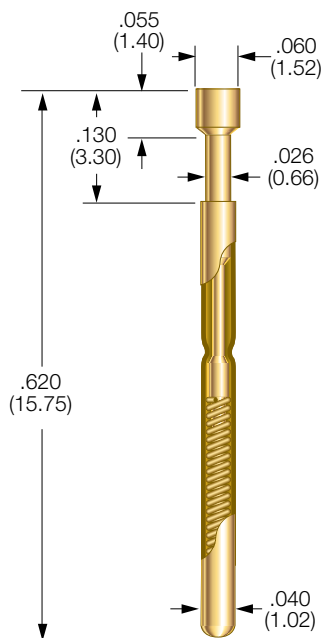
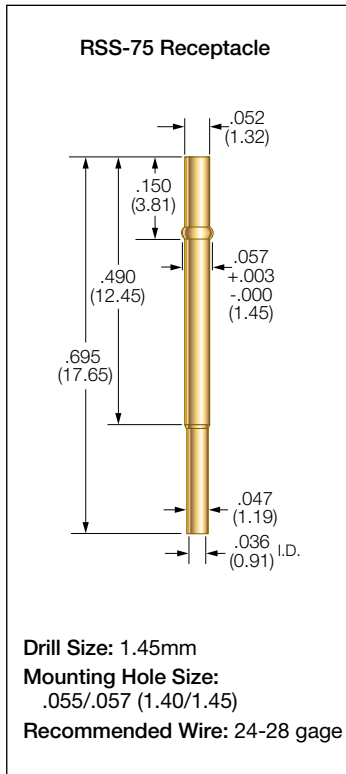


# .075 Centers - Size 75 Series SS

## SS-75 PROBE



## PROBE SPECIFICATIONS

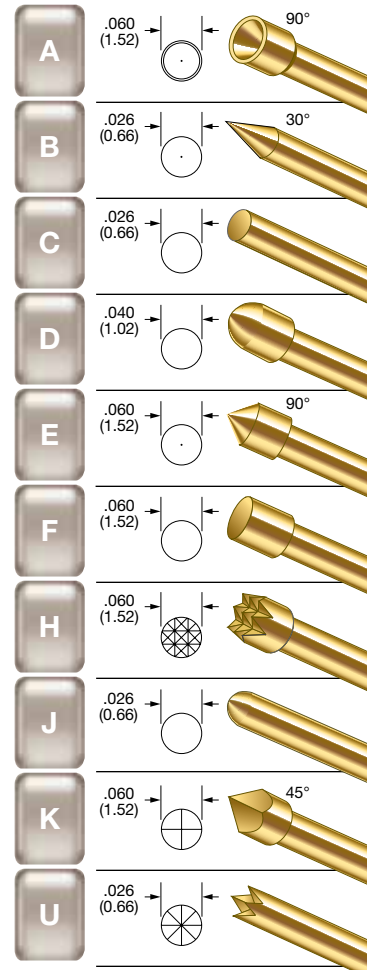
Minimum Centers: .075 (1.91)  
 Current Rating: 3 amps continuous  
 Spring Force: 2.4 or 4.9 oz. @ .050 (1.27) travel  
 Typical Resistance: < 25 mΩ  
 Maximum Travel: .050 (1.27)  
 Working Travel: .050 (1.27)

| Rated Force oz. (g) | Preload oz. (g) | Material |
|---------------------|-----------------|----------|
| 2.4 (68)            | 1.7 (48)        | SS       |
| 4.9 (139)           | 3.1 (88)        | SS       |

## MATERIALS

Barrel: Nickel/silver, gold plated  
 Spring: Stainless steel, gold plated  
 Plunger: Beryllium copper, gold plated over nickel or Duralloy™  
 Receptacle: Nickel/silver, gold plated, gold plated post

## BeCu PLUNGER TIPS



## RECEPTACLE OPTIONS

| Part Number   | Style      | Receptacle Length | Probe/Receptacle Combined Length | Comments                     |
|---------------|------------|-------------------|----------------------------------|------------------------------|
| RSS-75-CR     | Crimp      | 0.695 (17.65)     | 0.825 (20.96)                    | —                            |
| RSS-75-SC     | Solder Cup | 0.695 (17.65)     | 0.825 (20.96)                    | —                            |
| RSS-75-RP     | Round Post | 1.070 (27.18)     | 1.200 (30.48)                    | .375 post length - .025 dia. |
| RSS-75-WW-429 | Wire Wrap  | 1.124 (28.55)     | 1.254 (31.85)                    | .429 post length - .025 sq.  |

## HOW TO ORDER: SPRING CONTACT PROBE

## RECEPTACLE

**SS** SERIES  
**75** SIZE  
**A** TIP STYLE  
**2.4** SPRING FORCE  
**G** PLATING OPTIONS

**RSS** SERIES  
**75** SIZE  
**WW** TERMINATION  
**429** POST LENGTH

SERIES:  
 SS: STANDARD  
 SSX: IMPROVED POINTING ACCURACY

PLATING OPTIONS:  
 G: GOLD PLATED PLUNGER  
 D: DURALLOY™ PLATED PLUNGER

TERMINATIONS:  
 CR: CRIMP  
 SC: SOLDER CUP  
 WW: WIRE WRAP  
 RP: ROUND POST

POST LENGTH:  
 WW: 429

SPRING FORCE:  
 2.4 oz. @ .050 (1.27) TRAVEL  
 4.9 oz. @ .050 (1.27) TRAVEL

CRIMPING PLIERS: CPSS75  
 INSERTION TOOL: RTSS75

VIEW UPDATES OF THIS INFORMATION AT [WWW.IDINET.COM](http://WWW.IDINET.COM)

Specifications subject to change without notice. Dimensions in inches (millimeters)