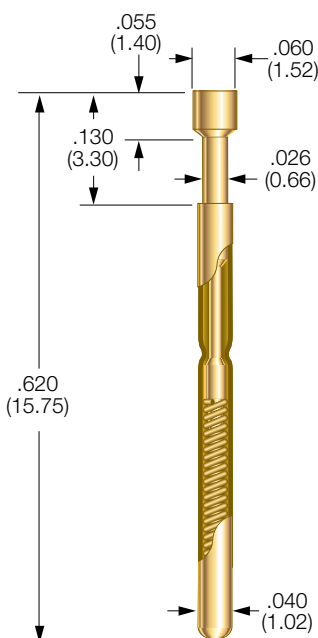
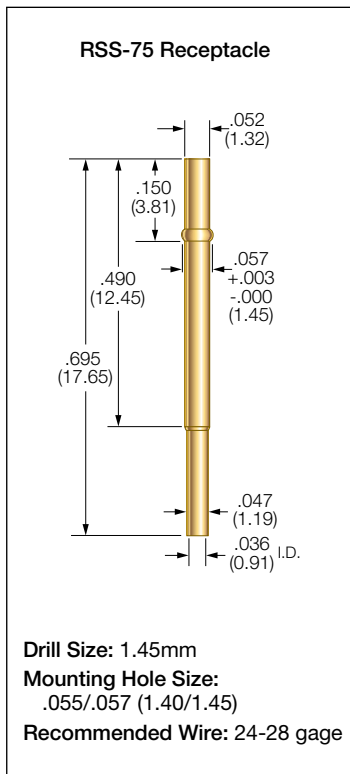


# .075 Centers - Size 75 Series SS

## SS-75 PROBE



## PROBE SPECIFICATIONS

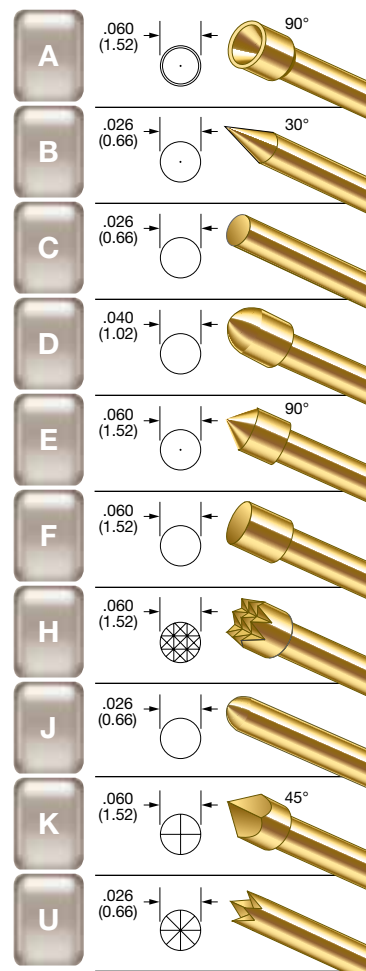
Minimum Centers: .075 (1.91)  
 Current Rating: 3 amps continuous  
 Spring Force: 2.4 or 4.9 oz. @ .050 (1.27) travel  
 Typical Resistance: < 25 mΩ  
 Maximum Travel: .050 (1.27)  
 Working Travel: .050 (1.27)

| Rated Force oz. (g) | Preload oz. (g) | Material |
|---------------------|-----------------|----------|
| 2.4 (68)            | 1.7 (48)        | SS       |
| 4.9 (139)           | 3.1 (88)        | SS       |

## MATERIALS

Barrel: Nickel/silver, gold plated  
 Spring: Stainless steel, gold plated  
 Plunger: Beryllium copper, gold plated over nickel or Duralloy™  
 Receptacle: Nickel/silver, gold plated, gold plated post

## BeCu PLUNGER TIPS



## RECEPTACLE OPTIONS

| Part Number   | Style      | Receptacle Length | Probe/Receptacle Combined Length | Comments                     |
|---------------|------------|-------------------|----------------------------------|------------------------------|
| RSS-75-CR     | Crimp      | 0.695 (17.65)     | 0.825 (20.96)                    | —                            |
| RSS-75-SC     | Solder Cup | 0.695 (17.65)     | 0.825 (20.96)                    | —                            |
| RSS-75-RP     | Round Post | 1.070 (27.18)     | 1.200 (30.48)                    | .375 post length - .025 dia. |
| RSS-75-WW-429 | Wire Wrap  | 1.124 (28.55)     | 1.254 (31.85)                    | .429 post length - .025 sq.  |

## HOW TO ORDER: SPRING CONTACT PROBE

## RECEPTACLE

|   |                   |   |                            |   |                      |                         |                          |                           |
|---|-------------------|---|----------------------------|---|----------------------|-------------------------|--------------------------|---------------------------|
| <b>SS</b><br>SERIES   | <b>75</b><br>SIZE | <b>A</b><br>TIP STYLE   | <b>2.4</b><br>SPRING FORCE | <b>G</b><br>PLATING OPTIONS   | <b>RSS</b><br>SERIES | <b>75</b><br>SIZE       | <b>WW</b><br>TERMINATION | <b>429</b><br>POST LENGTH |
| SERIES:<br>SS: STANDARD<br>SSX: IMPROVED POINTING ACCURACY                    |                   | PLATING OPTIONS:<br>G: GOLD PLATED PLUNGER<br>D: DURALLOY™ PLATED PLUNGER |                            | TERMINATIONS:<br>CR: CRIMP<br>SC: SOLDER CUP<br>WW: WIRE WRAP<br>RP: ROUND POST |                      | POST LENGTH:<br>WW: 429 |                          |                           |
| SPRING FORCE:<br>2.4 oz. @ .050 (1.27) TRAVEL<br>4.9 oz. @ .050 (1.27) TRAVEL |                   | CRIMPING PLIERS: CPSS75<br>INSERTION TOOL: RTSS75                         |                            |   |                      |                         |                          |                           |

VIEW UPDATES OF THIS INFORMATION AT [WWW.IDINET.COM](http://WWW.IDINET.COM)

Specifications subject to change without notice. Dimensions in inches (millimeters)