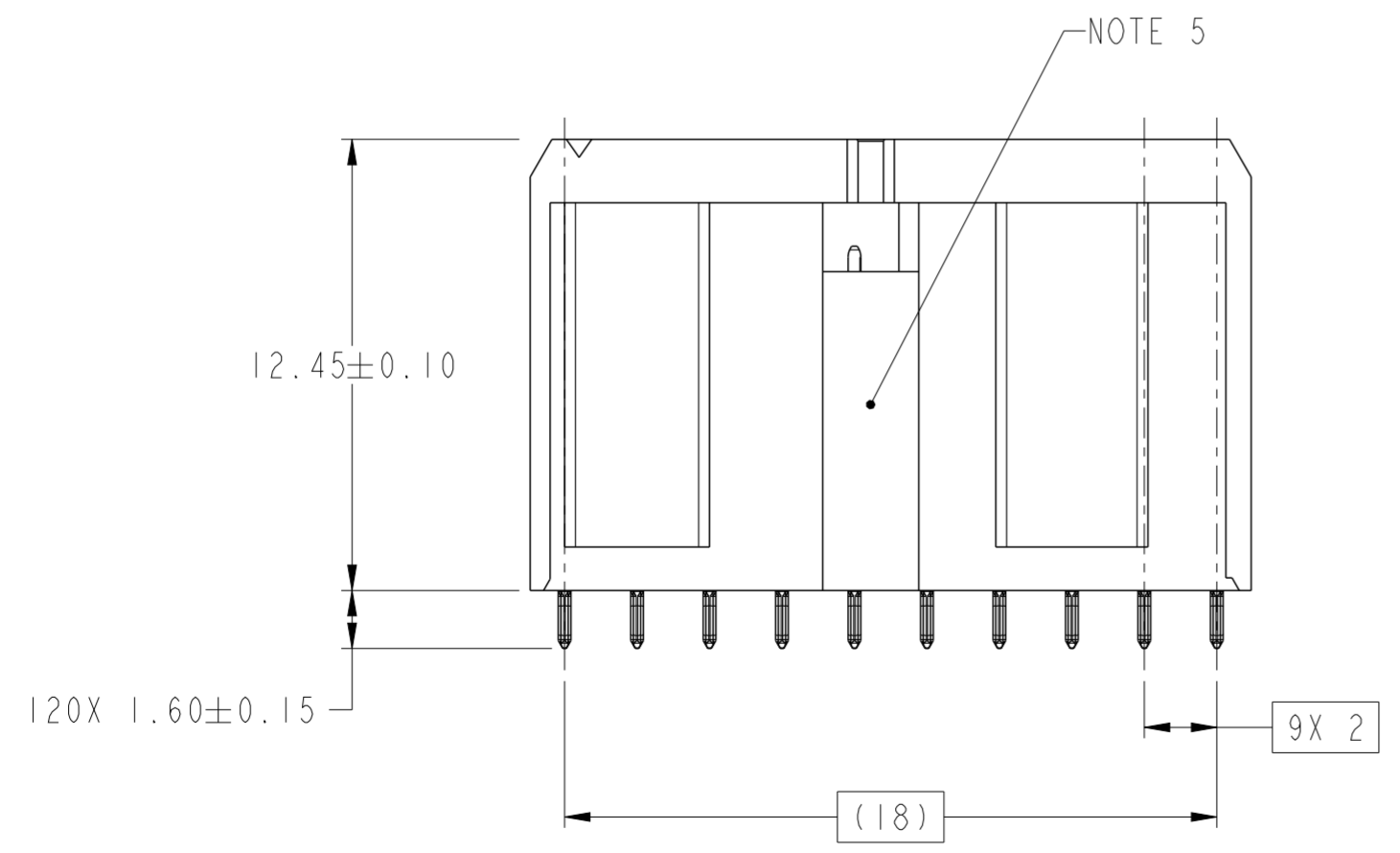
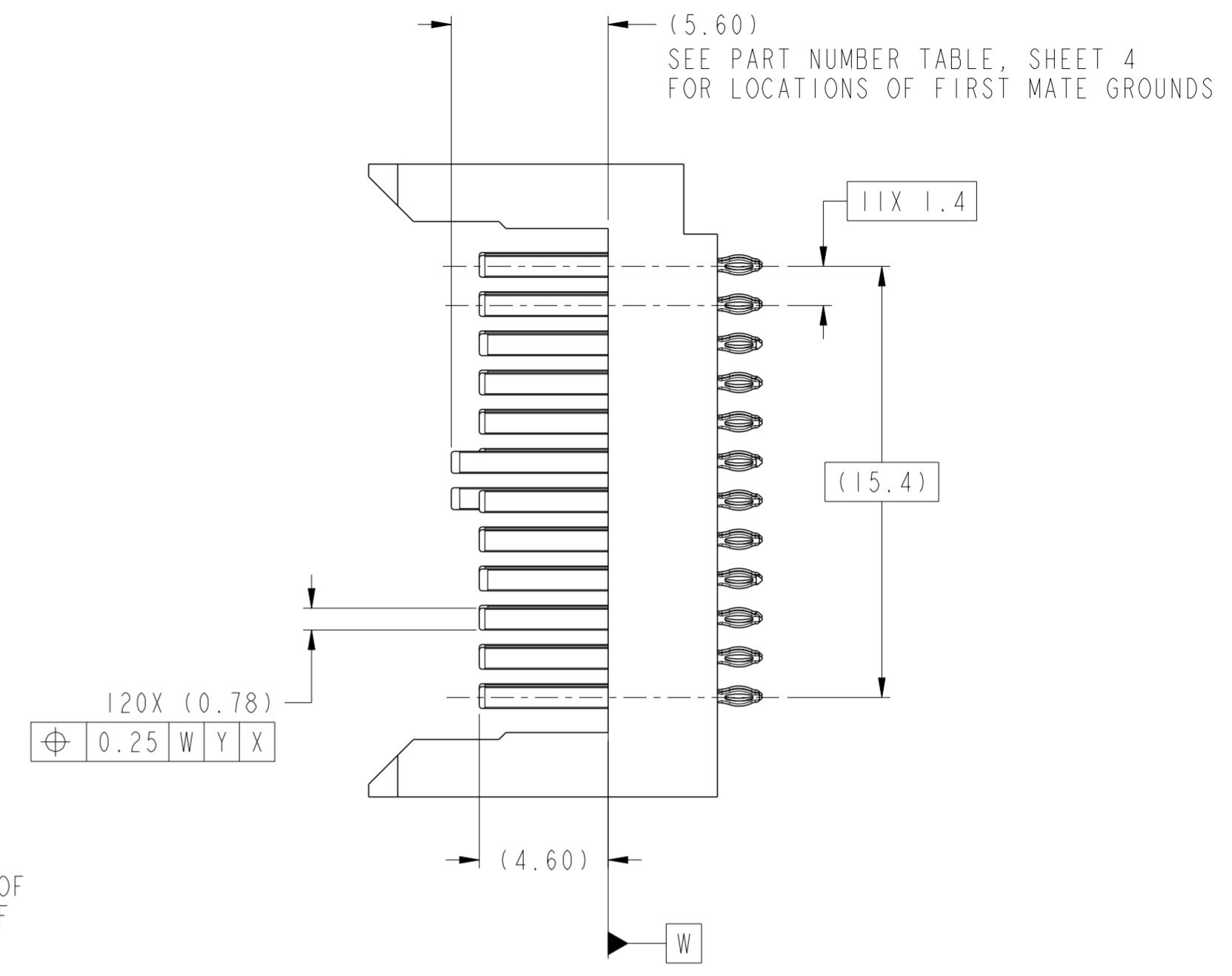
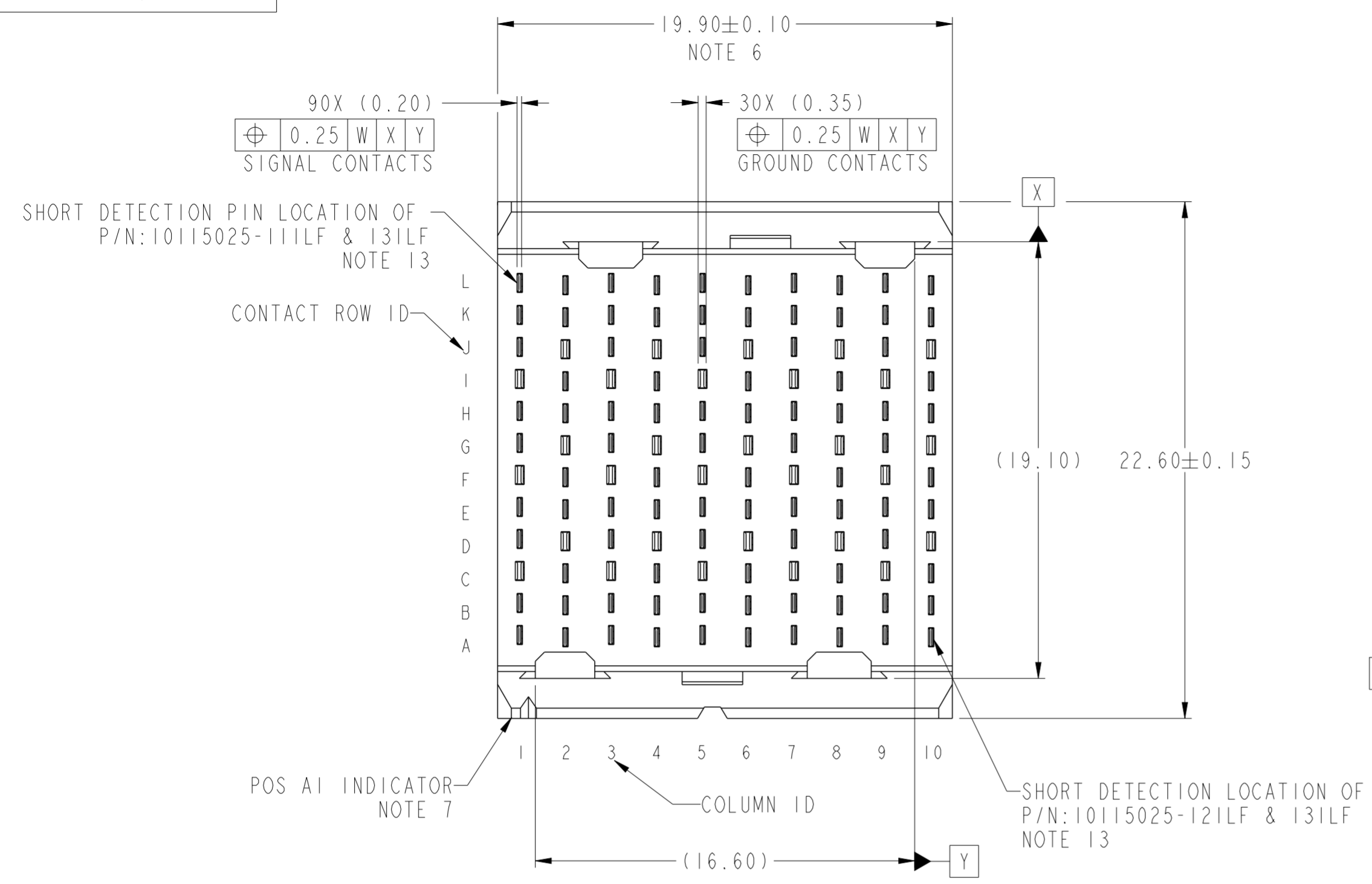


Product number
SEE TABLE, SHT 4



spec ref	-	dr	Stu Stoner	2010/06/07	projection	MM	size	A2	scale	5:1
tolerance std	ASME Y14.5	eng	Terry Luo	2017/12/18			ecn no	ELX-DG-28818-1		
TOLERANCES UNLESS OTHERWISE SPECIFIED		chr	Stone Li	2017/12/19			rel level	Released		
surface	-	appr	Heaven Cen	2017/12/19			product family	AIRMAX VS	div no	10115025
ASME Y14.5	linear	0.X	±0.3		title		AIRMAX VS2 VERTICAL HEADER			
		0.XX	±0.10		PRESS-FIT, 120 POS, 20.0 mm					
	angular	0.XXX	±0.050		cat. no.	-	Product - Customer Drw	sheet 1 of 4		
		0°	±2°							

PDS: Rev :D

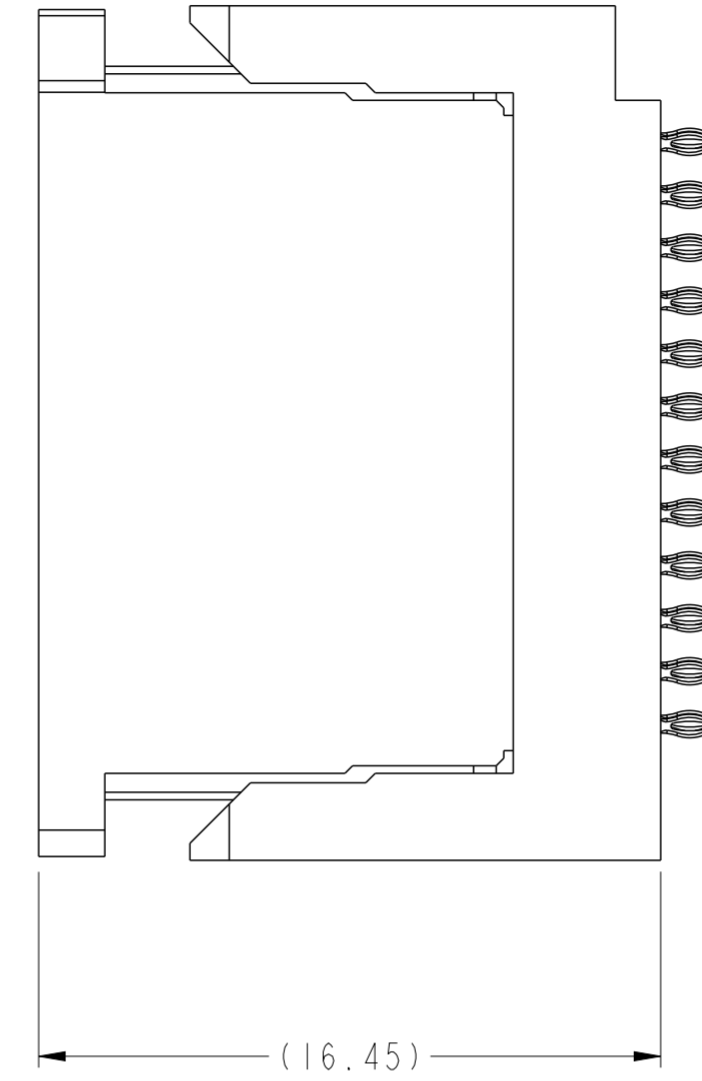
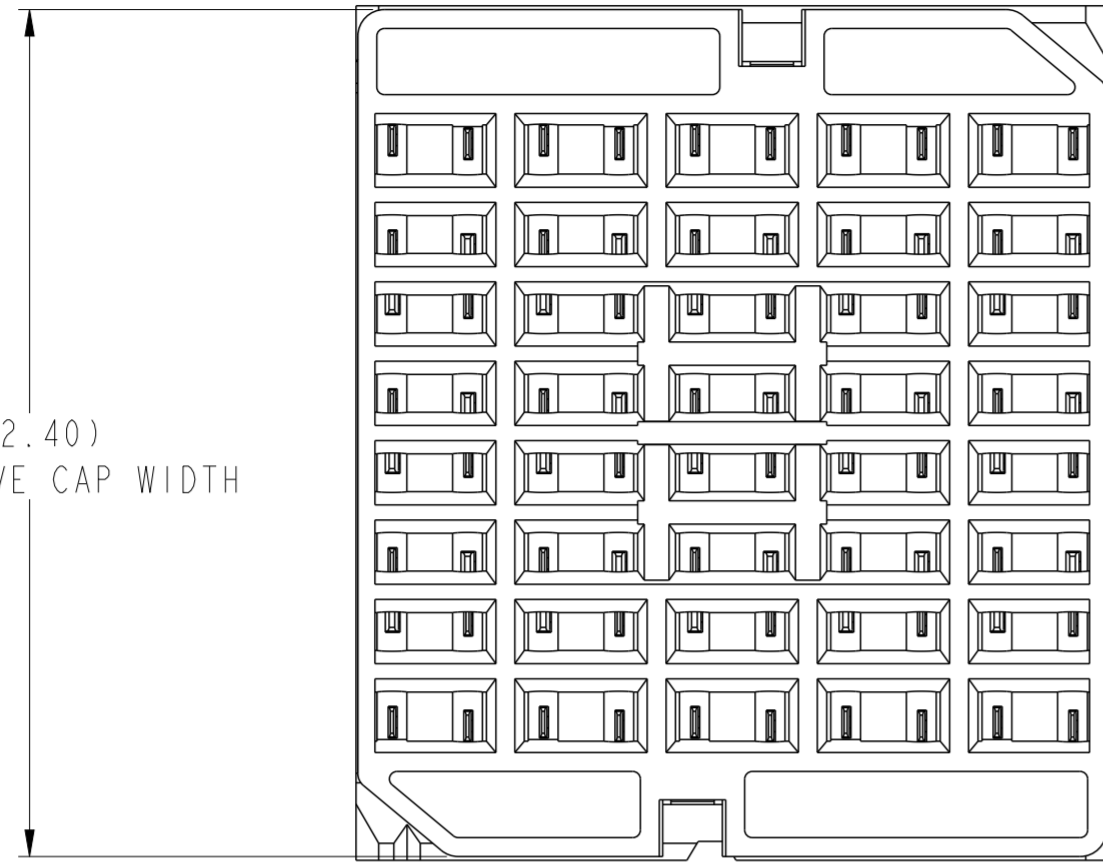
STATUS:Released

Printed: Dec 19, 2017

Amphenol FCI

© 2016 AFCI

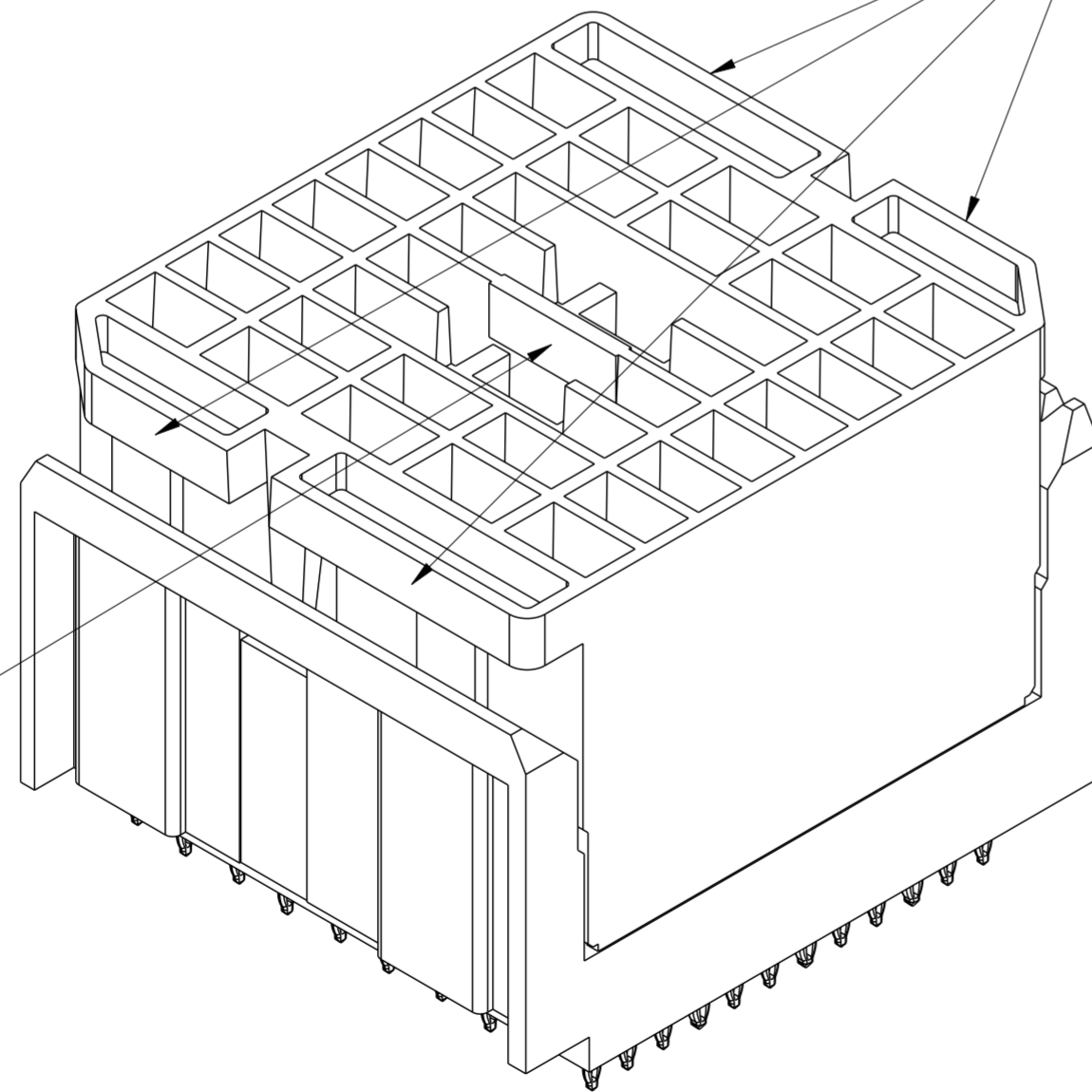
(22.40)
PROTECTIVE CAP WIDTH



(16.45)

NOTE 11

NOTE 12



VIEWS SHOWN WITH
PROTECTIVE COVER INSTALLED

spec ref	-	dr	Stu Stoner	2010/06/07	projection	MM	size	A2	scale	5:1	
tolerance std	ASME Y14.5	eng	Terry Luo	2017/12/18			ecn no	ELX-DG-28818-1			
TOLERANCES UNLESS OTHERWISE SPECIFIED		chr	Stone Li	2017/12/19			rel level	Released			
surface	-	appr	Heaven Cen	2017/12/19			product family	AIRMAX VS			
linear	0.X ±0.3			AIRMAX VS2 VERTICAL HEADER PRESS-FIT, 120 POS, 20.0 mm		cat. no.	10115025		rev	D	
	0.XX ±0.10					Product - Customer Drw		sheet 2 of 4			
angular	0° ±2°					STATUS:Released		Printed: Dec 19, 2017			

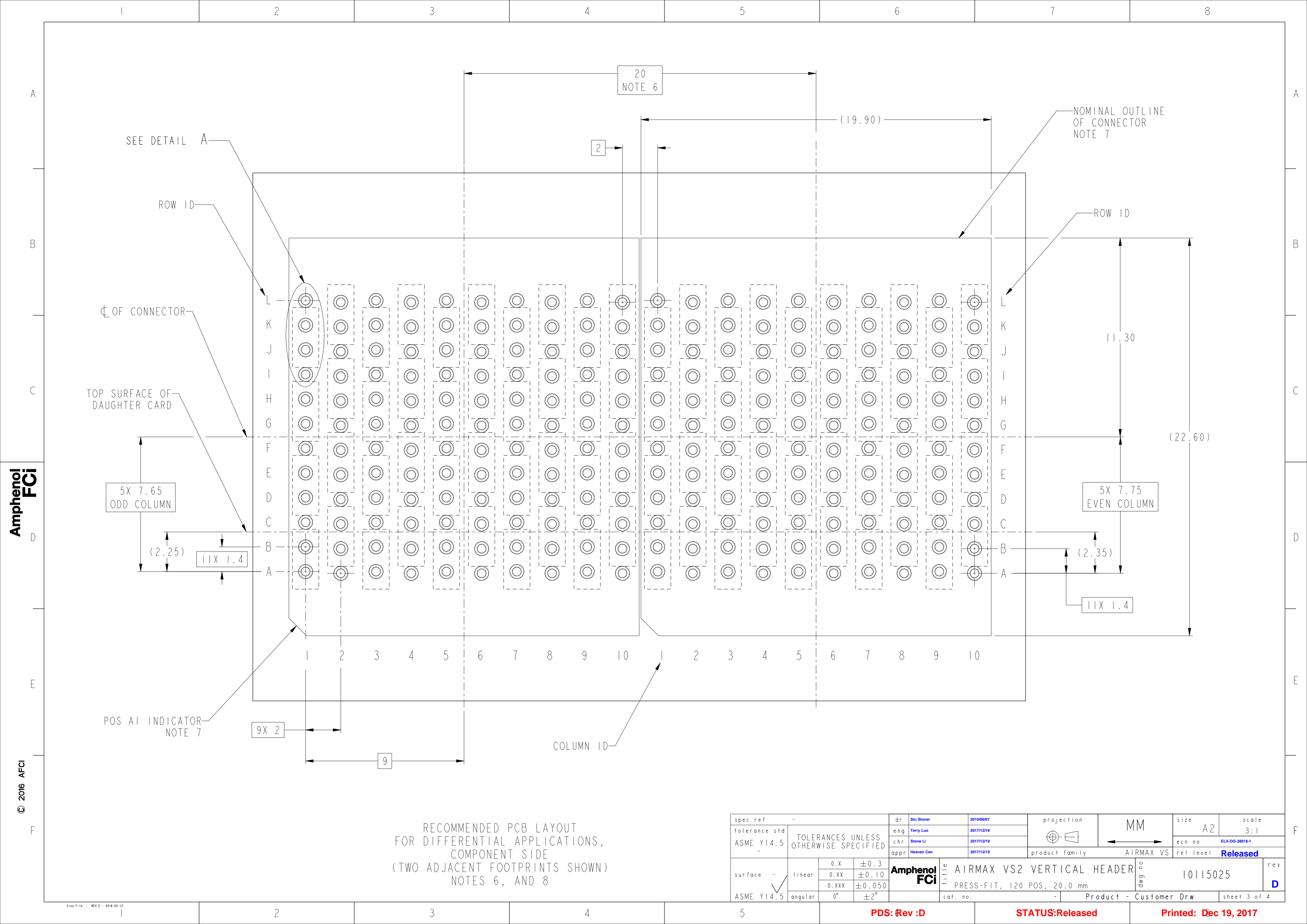
PDS: Rev :D

STATUS:Released

Printed: Dec 19, 2017

Amphenol
FCI

© 2016 AFCI



20
NOTE 6

(19.90)

NOMINAL OUTLINE
OF CONNECTOR
NOTE 7

2

ROW ID

11.30

(22.60)

5X 7.75
EVEN COLUMN

(2.35)

11X 1.4

5X 7.65
ODD COLUMN

(2.25)

11X 1.4

9X 2

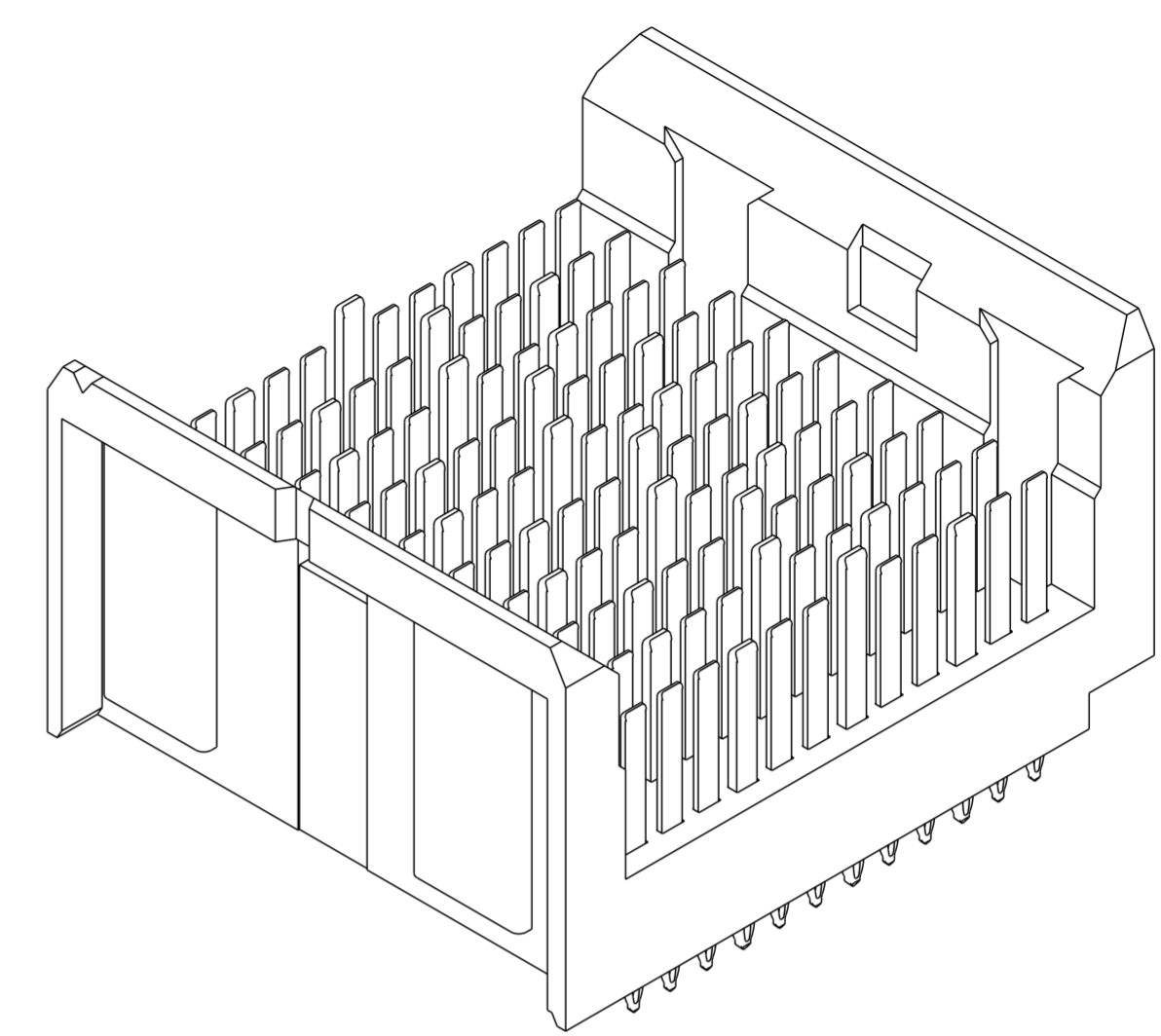
9

COLUMN ID

RECOMMENDED PCB LAYOUT
FOR DIFFERENTIAL APPLICATIONS,
COMPONENT SIDE
(TWO ADJACENT FOOTPRINTS SHOWN)
NOTES 6, AND 8

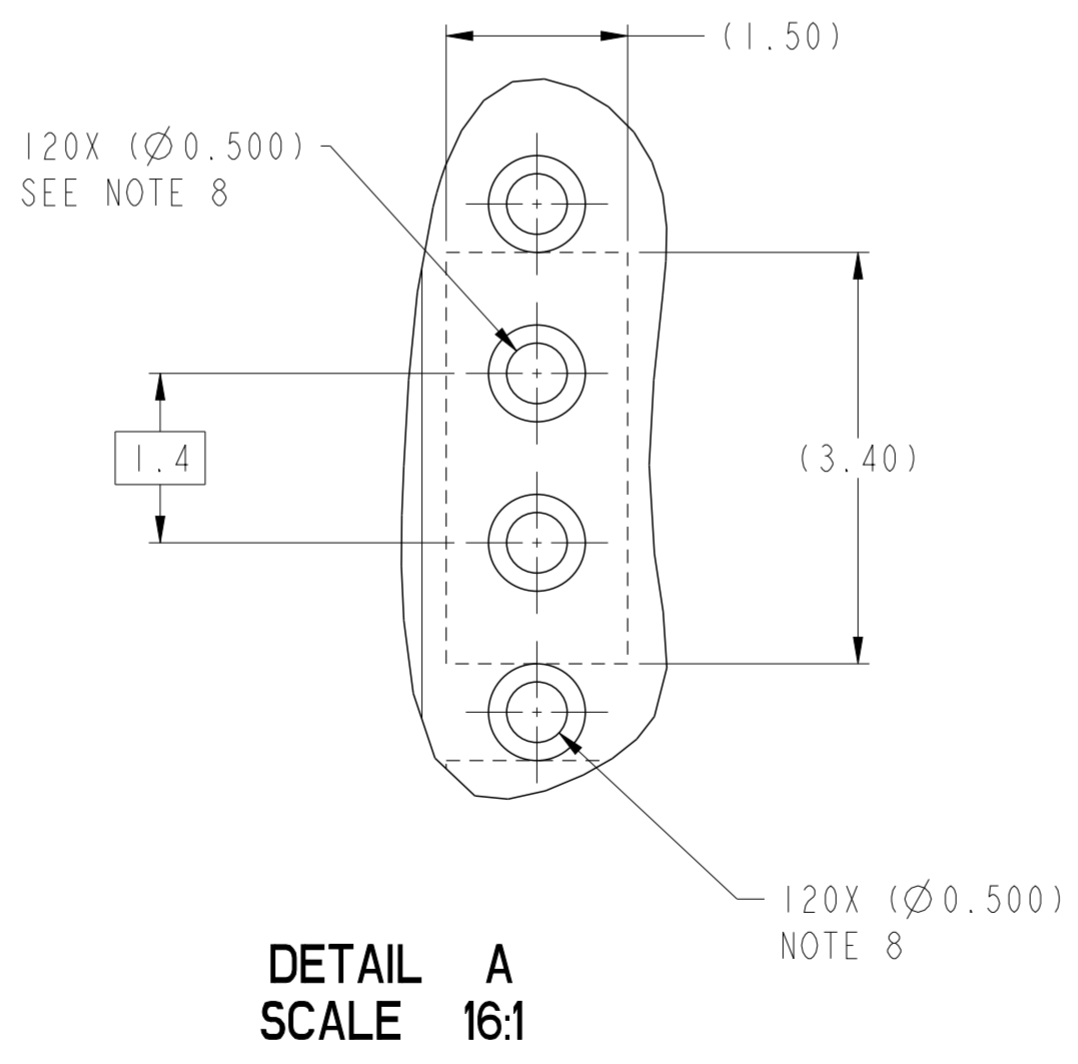
spec ref	-	dr	Stu Stoner	2010/06/07	projection	MM	size	A2	scale	3:1
tolerance std	ASME Y14.5	eng	Terry Luo	2017/12/18			ecn no	ELX-DG-28818-1		
		chr	Stone Li	2017/12/19			rel level	Released		
		appr	Heaven Cen	2017/12/19	product family	AIRMAX VS	cat. no.	10115025		
surface	-	linear	0.X	±0.3		AIRMAX VS2 VERTICAL HEADER PRESS-FIT, 120 POS, 20.0 mm	rev D			
			0.XX	±0.10						
			0.XXX	±0.050						
ASME Y14.5	angular		0°	±2°				Product - Customer Drw	sheet 3 of 4	

PART NUMBER	PRESS-FIT TAIL PLATING TYPE	PROTECTIVE COVER	FIRST MATE PIN LOCATIONS (5.6mm)	SHORT DETECTION PIN OPTION	
				LOCATION	QTY
10115025-10ILF	TIN OVER NICKEL (LEAD FREE)	YES	F1, F3, F5, F7, F9, G2, G4, G6, G8, G10	NA	NA
10115025-11ILF	TIN OVER NICKEL (LEAD FREE)	YES	F1, F3, F5, F7, F9, G2, G4, G6, G8, G10	LI	1
10115025-12ILF	TIN OVER NICKEL (LEAD FREE)	YES	F1, F3, F5, F7, F9, G2, G4, G6, G8, G10	A10	1
10115025-13ILF	TIN OVER NICKEL (LEAD FREE)	YES	F1, F3, F5, F7, F9, G2, G4, G6, G8, G10	LI AND A10	2



10115025-10ILF

- NOTES:
- CONNECTOR MATERIALS:
HOUSING: HIGH TEMP THERMOPLASTIC, BLACK, UL94V-0
CONTACT: COPPER ALLOY
 - CONTACT PLATING:
SEPARABLE INTERFACE: PERFORMANCE-BASED PLATING, QUALIFIED TO MEET THE REQUIREMENTS OF FCI PRODUCT SPECIFICATION GS-12-239 INCLUDING TELCORDIA GR-1217-CORE (NOVEMBER 1995) CENTRAL OFFICE TEST SEQUENCE
PRESS-FIT TAILS: SEE TABLE
 - PRODUCT SPECIFICATION: GS-12-239.
 - APPLICATION SPECIFICATION: GS-20-035.
 - PRODUCT MARKING, (PROTOTYPE, PART NUMBER & LOT CODE), ON THIS SURFACE.
 - THE MINIMUM CENTERLINE SPACING BETWEEN ADJACENT MODULES IS 20.0 mm.
 - CONNECTOR OUTLINE WITH HOUSING POS A1 INDICATOR MAY BE SCREEN PRINTED ONTO CUSTOMER PCB TO BE USED AS A GUIDE FOR MANUAL CONNECTOR PLACEMENT.
 - REFER TO CUSTOMER DRAWING 10045979 FOR INFORMATION ON PCB HOLE DIAMETERS AND PLATING OPTIONS.
 - THIS PRODUCT MEETS EUROPEAN UNION DIRECTIVES AND OTHER COUNTRY REGULATIONS AS DESCRIBED IN GS-22-008.
 - PACKAGING MEETS GS-14-920 LEAD FREE LABELING SPECIFICATION.
 - FOR REMOVAL OF THE PROTECTIVE CAP BY HAND GRIP USING THESE SURFACES.
 - FOR REMOVAL OF THE PROTECTIVE CAP WITH PLIERS GRIP USING THIS FEATURE.
 - SHORT DETECTION PIN IS 0.50mm LESS WIPE NOMINAL THAN THE SHORTEST PIN.
 - A \triangle SYMBOL WILL BE NEXT TO A DIMENSION, VIEW OR NOTE THAT HAD BEEN MODIFIED WITHIN THE CURRENT DRAWING REVISION.



spec ref	-	dr	Stu Stoner	2010/06/07	projection	MM	size	A2	scale	5:1
tolerance std	ASME Y14.5	eng	Terry Luo	2017/12/18			ecn no	ELX-DG-28818-1		
TOLERANCES UNLESS OTHERWISE SPECIFIED		chr	Stone Li	2017/12/19			rel level	Released		
surface	-	appr	Heaven Cen	2017/12/19	product family	AIRMAX VS	cat. no.	10115025	rev	D
ASME Y14.5	linear	0.X	±0.3		AIRMAX VS2 VERTICAL HEADER PRESS-FIT, 120 POS, 20.0 mm		Product - Customer Drw		sheet 4 of 4	
		0.XX	±0.10							
		0.XXX	±0.050							
	angular	0°	±2°							