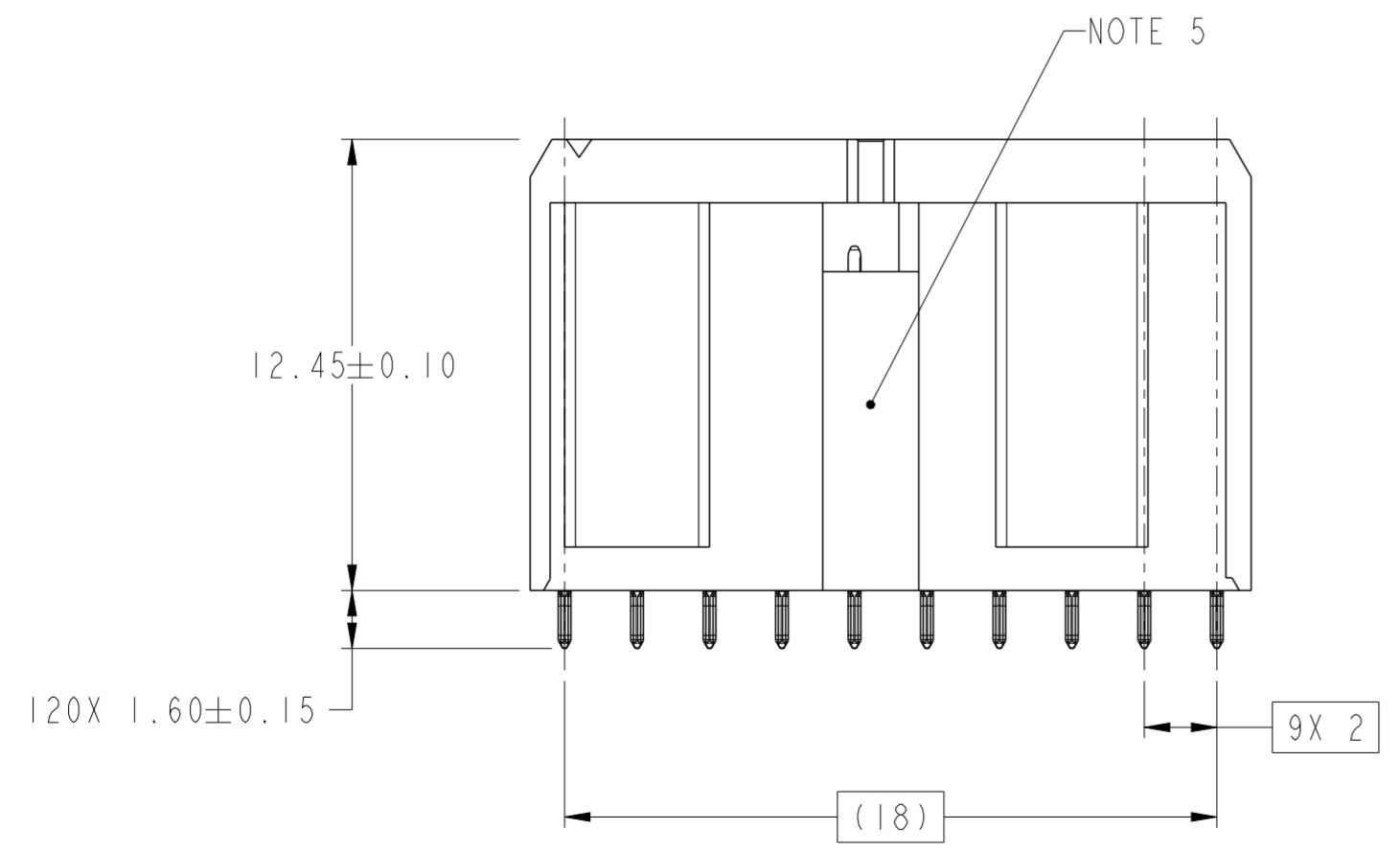
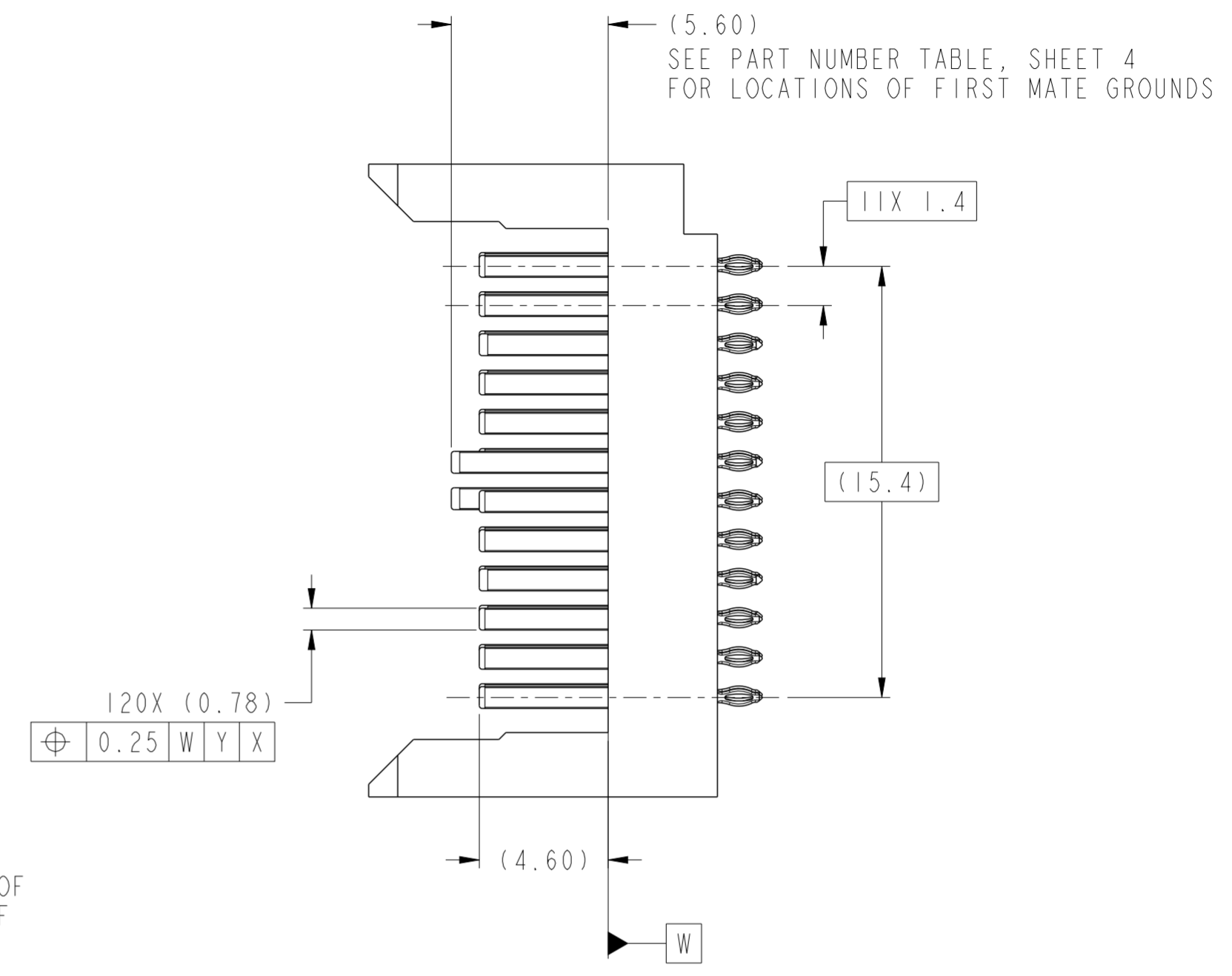
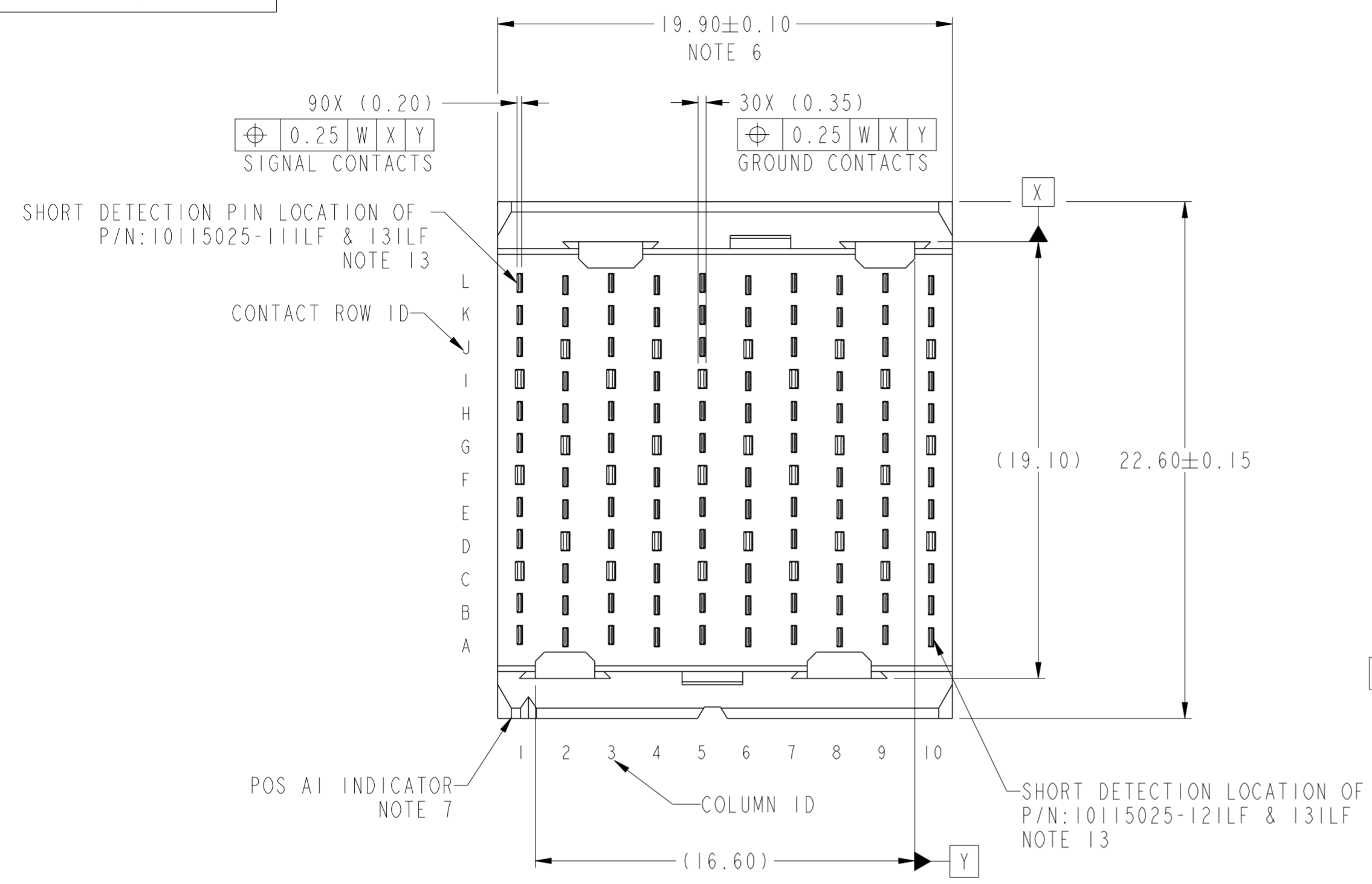


Product number
SEE TABLE, SHT 4



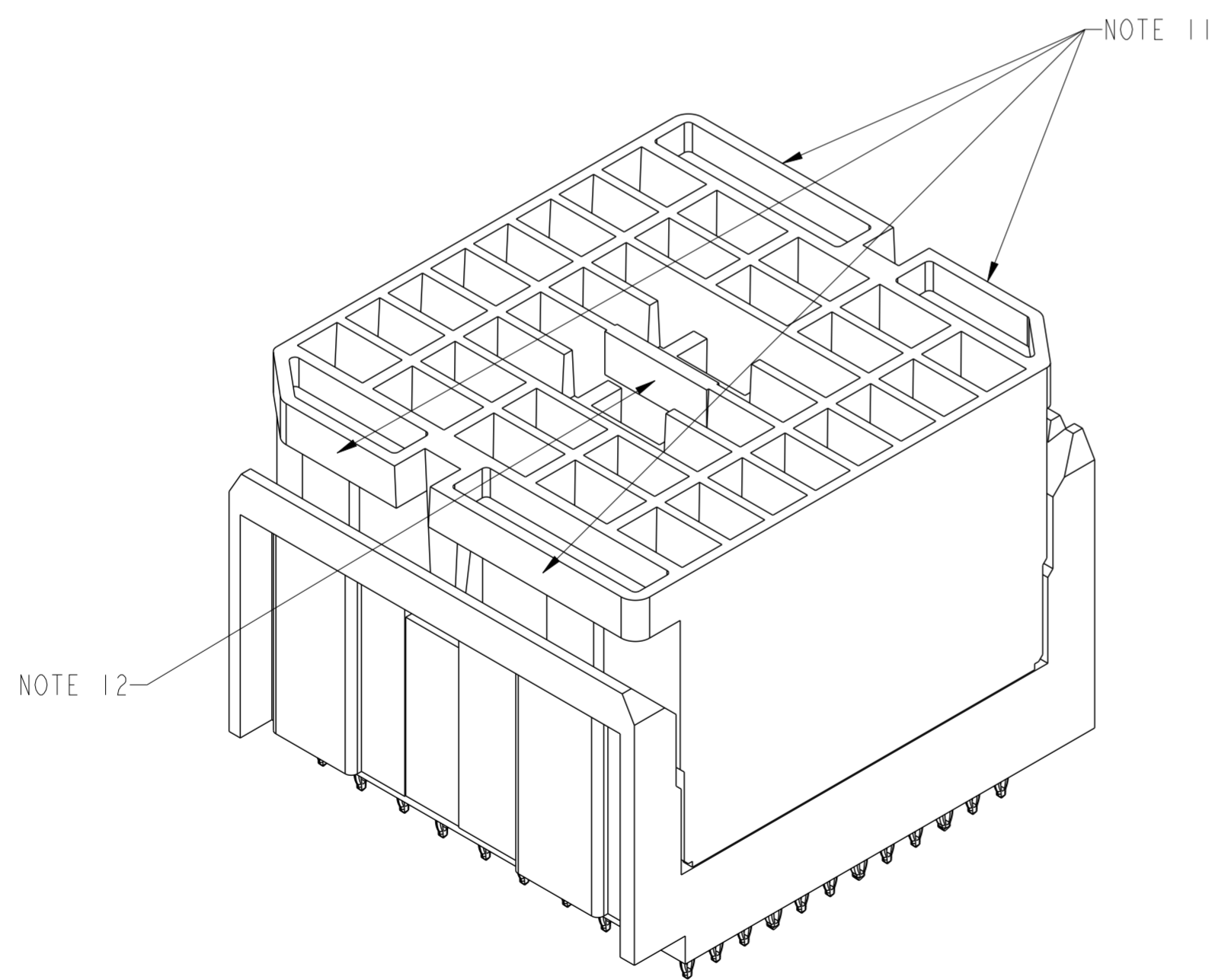
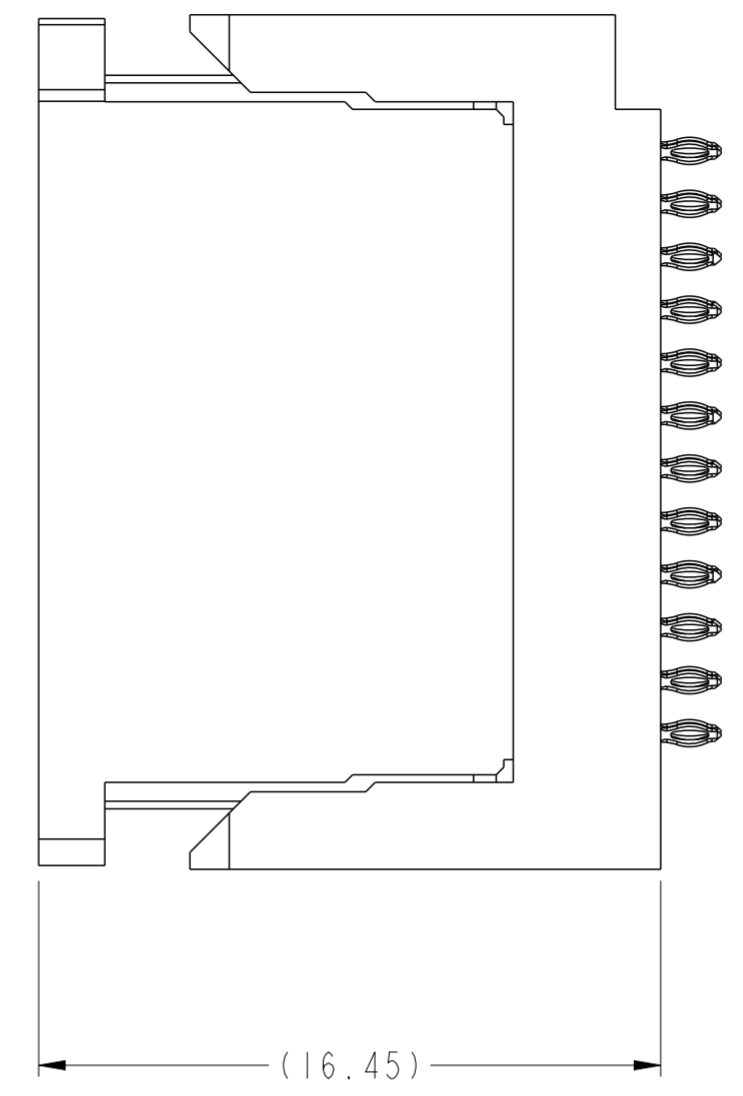
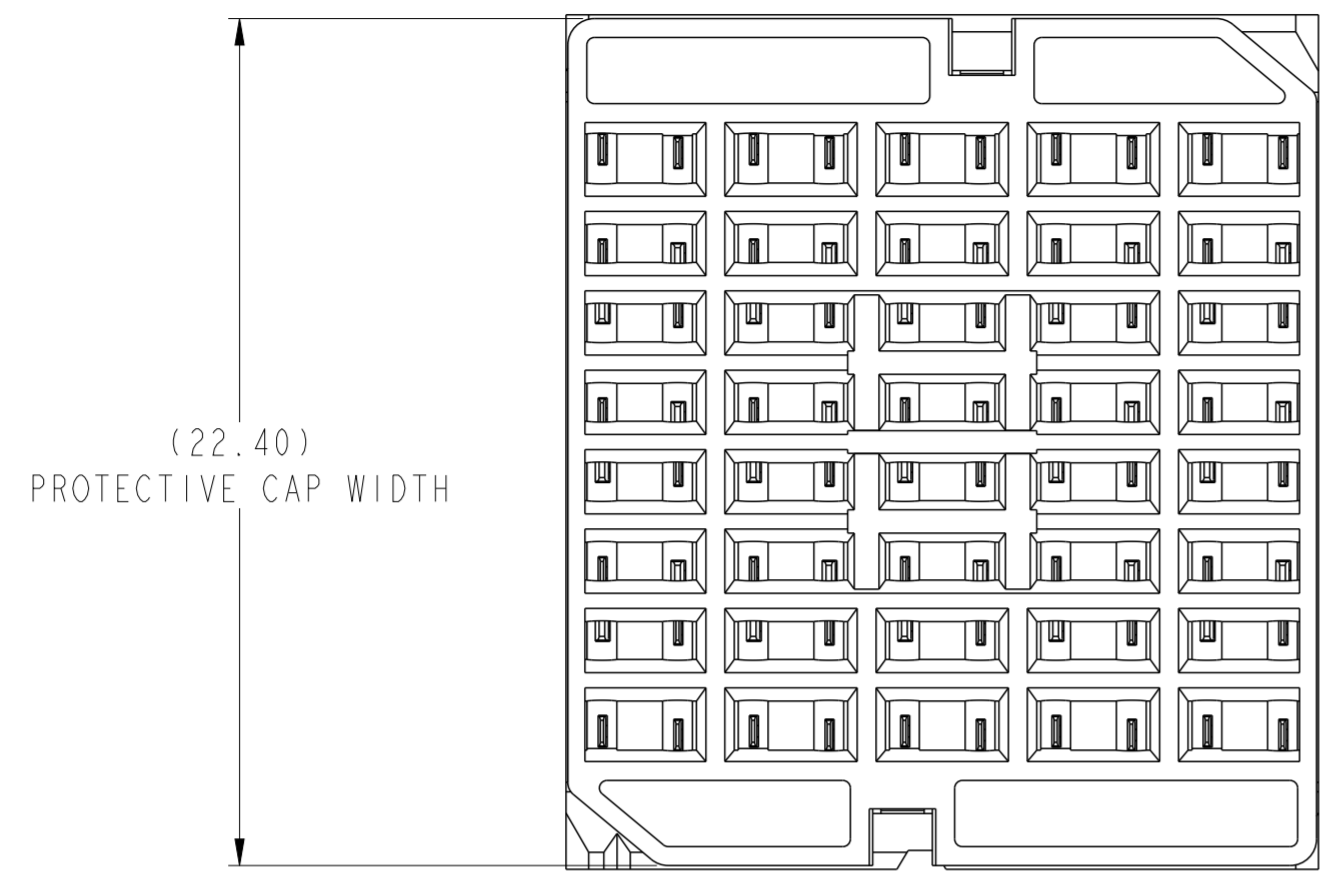
spec ref	-	dr	Stu Stoner	2010/06/07	projection	MM	size	A2	scale	5:1
tolerance std	ASME Y14.5	eng	Terry Luo	2017/12/18			ecn no	ELX-DG-28818-1		
TOLERANCES UNLESS OTHERWISE SPECIFIED		chr	Stone Li	2017/12/19			rel level	Released		
		appr	Heaven Cen	2017/12/19			product family	AIRMAX VS		
surface	-				AIRMAX VS2 VERTICAL HEADER PRESS-FIT, 120 POS, 20.0 mm		div no	10115025	rev	D
ASME Y14.5	linear 0.X ±0.3 0.XX ±0.10 0.XXX ±0.050 angular 0° ±2°	cat. no.		Product - Customer Drw		sheet 1 of 4				

Amphenol FCI

© 2016 AFCI

1 2 3 4 5 6 7 8

A
B
C
D
E
F

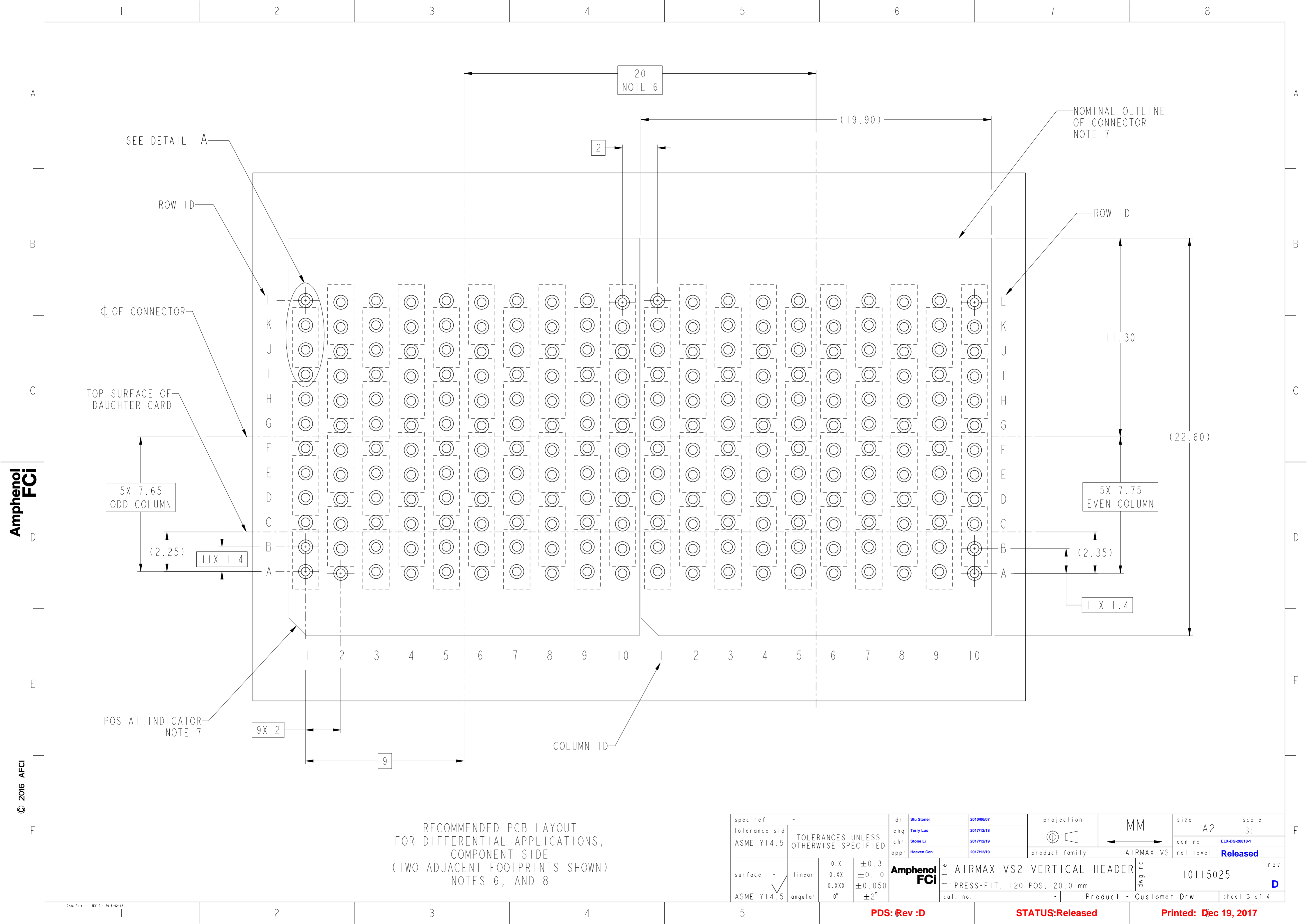


VIEWS SHOWN WITH
PROTECTIVE COVER INSTALLED

Amphenol
FCi

© 2016 AFci

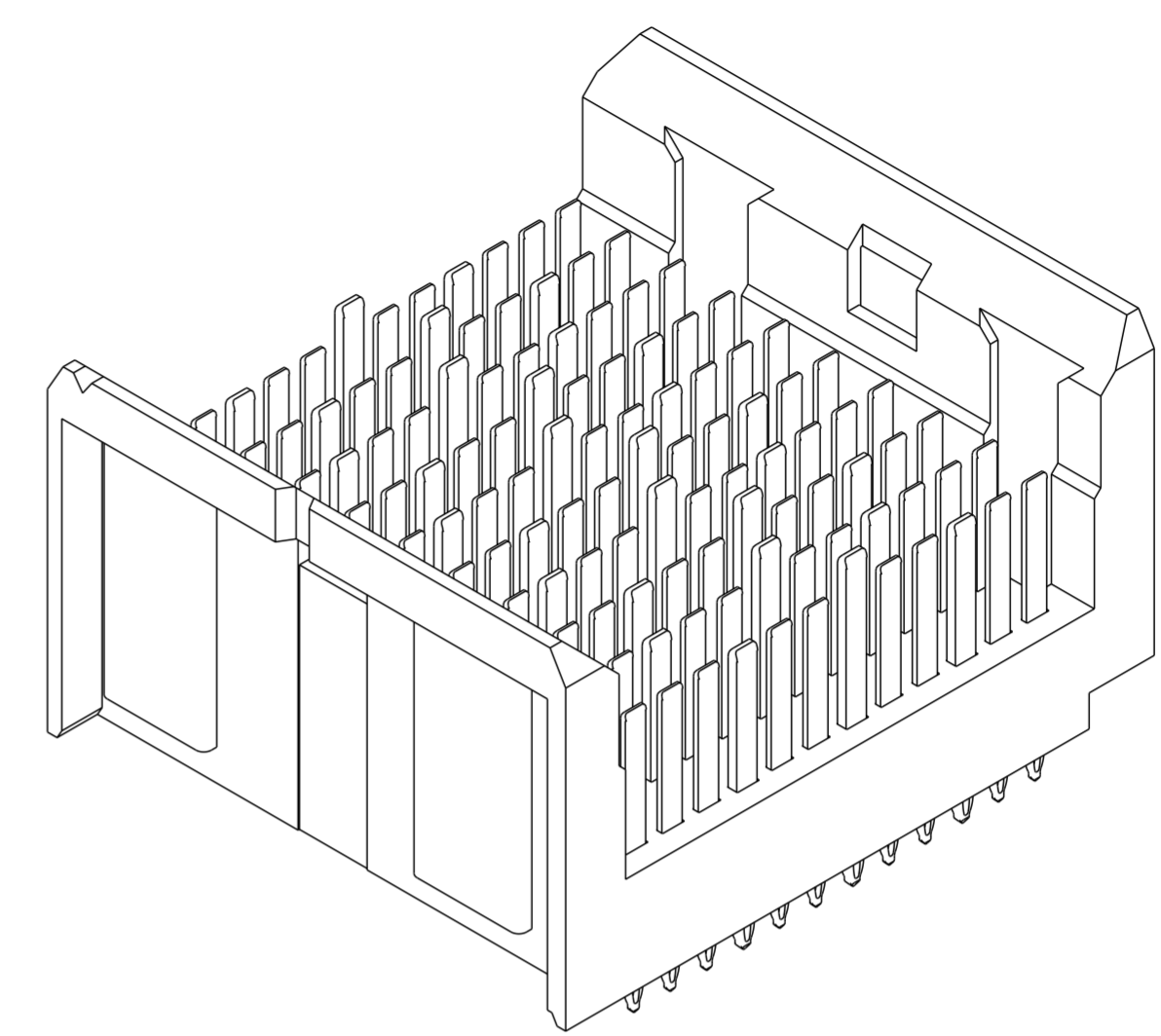
spec ref	-	dr	Stu Stoner	2010/06/07	projection	MM	size	A2	scale	5:1	
tolerance std	ASME Y14.5	eng	Terry Luo	2017/12/18			ecn no	ELX-DG-28818-1			
TOLERANCES UNLESS OTHERWISE SPECIFIED		chr	Stone Li	2017/12/19			rel level	Released			
surface	-	appr	Heaven Cen	2017/12/19			product family	AIRMAX VS			
ASME Y14.5	linear	0.X	±0.3		title	AIRMAX VS2 VERTICAL HEADER				rev	D
		0.XX	±0.10		cat. no.	-	Product - Customer Drw	sheet 2 of 4			
	angular	0°	±2°		divg no	10115025					



RECOMMENDED PCB LAYOUT
 FOR DIFFERENTIAL APPLICATIONS,
 COMPONENT SIDE
 (TWO ADJACENT FOOTPRINTS SHOWN)
 NOTES 6, AND 8

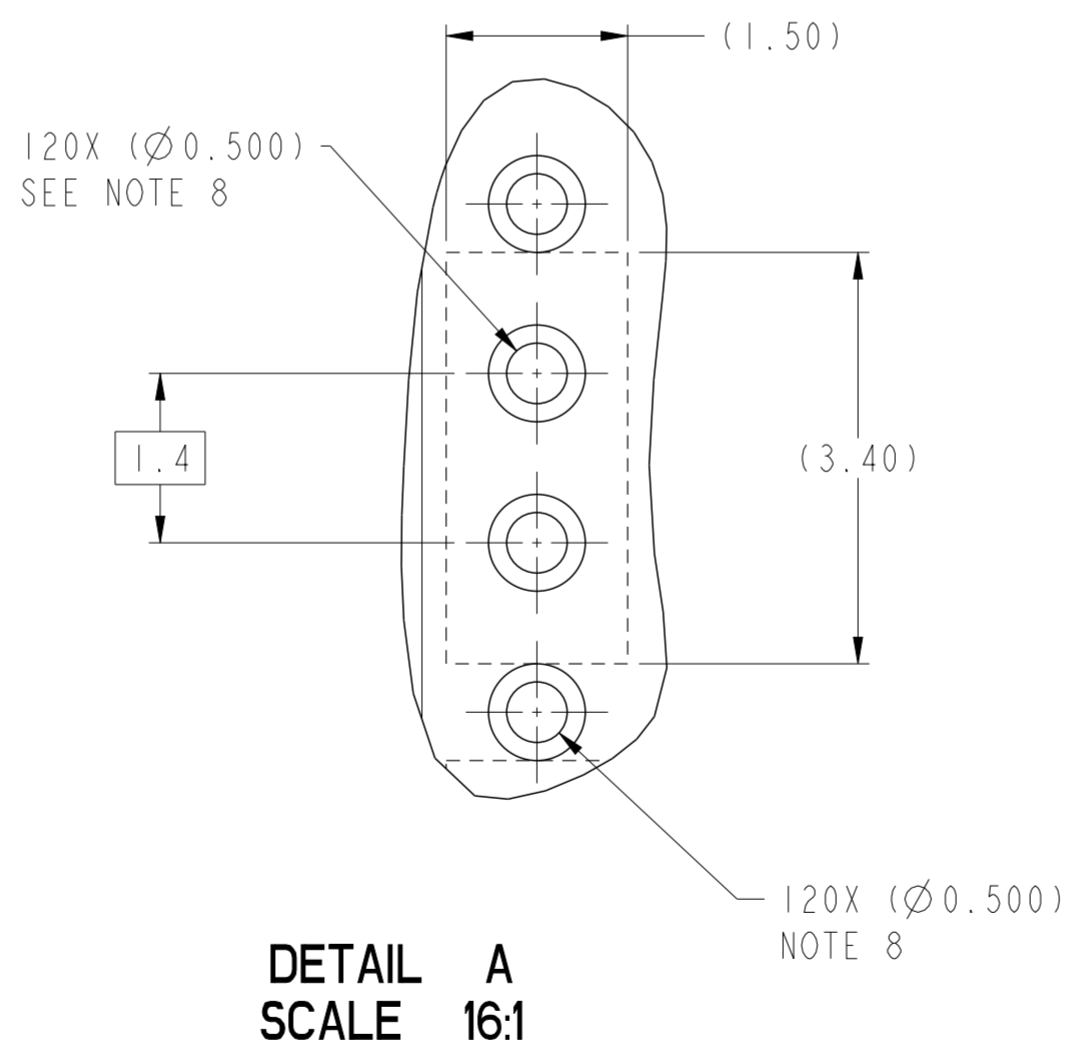
spec ref	-	dr	Stu Stoner	2010/06/07	projection	MM	size	A2	scale	3:1
tolerance std	ASME Y14.5	eng	Terry Luo	2017/12/18			ecn no	ELX-DG-28818-1	rel level	Released
		chr	Stone Li	2017/12/19			product family	AIRMAX VS		
		appr	Heaven Cen	2017/12/19			rel level	Released		
surface	-	linear	0.X	±0.3			part no	AIRMAX VS2 VERTICAL HEADER	cat. no.	-
			0.XX	±0.10			div no	10115025	Product - Customer Drw	sheet 3 of 4
			0.XXX	±0.050			rev	D		
ASME Y14.5	angular	0°	±2°							

PART NUMBER	PRESS-FIT TAIL PLATING TYPE	PROTECTIVE COVER	FIRST MATE PIN LOCATIONS (5.6mm)	SHORT DETECTION PIN OPTION	
				LOCATION	QTY
10115025-10ILF	TIN OVER NICKEL (LEAD FREE)	YES	F1, F3, F5, F7, F9, G2, G4, G6, G8, G10	NA	NA
10115025-11ILF	TIN OVER NICKEL (LEAD FREE)	YES	F1, F3, F5, F7, F9, G2, G4, G6, G8, G10	LI	1
10115025-12ILF	TIN OVER NICKEL (LEAD FREE)	YES	F1, F3, F5, F7, F9, G2, G4, G6, G8, G10	A10	1
10115025-13ILF	TIN OVER NICKEL (LEAD FREE)	YES	F1, F3, F5, F7, F9, G2, G4, G6, G8, G10	LI AND A10	2



10115025-10ILF

- NOTES:
- CONNECTOR MATERIALS:
HOUSING: HIGH TEMP THERMOPLASTIC, BLACK, UL94V-0
CONTACT: COPPER ALLOY
 - CONTACT PLATING:
SEPARABLE INTERFACE: PERFORMANCE-BASED PLATING, QUALIFIED TO MEET THE REQUIREMENTS OF FCI PRODUCT SPECIFICATION GS-12-239 INCLUDING TELCORDIA GR-1217-CORE (NOVEMBER 1995) CENTRAL OFFICE TEST SEQUENCE
PRESS-FIT TAILS: SEE TABLE
 - PRODUCT SPECIFICATION: GS-12-239.
 - APPLICATION SPECIFICATION: GS-20-035.
 - PRODUCT MARKING, (PROTOTYPE, PART NUMBER & LOT CODE), ON THIS SURFACE.
 - THE MINIMUM CENTERLINE SPACING BETWEEN ADJACENT MODULES IS 20.0 mm.
 - CONNECTOR OUTLINE WITH HOUSING POS A1 INDICATOR MAY BE SCREEN PRINTED ONTO CUSTOMER PCB TO BE USED AS A GUIDE FOR MANUAL CONNECTOR PLACEMENT.
 - REFER TO CUSTOMER DRAWING 10045979 FOR INFORMATION ON PCB HOLE DIAMETERS AND PLATING OPTIONS.
 - THIS PRODUCT MEETS EUROPEAN UNION DIRECTIVES AND OTHER COUNTRY REGULATIONS AS DESCRIBED IN GS-22-008.
 - PACKAGING MEETS GS-14-920 LEAD FREE LABELING SPECIFICATION.
 - FOR REMOVAL OF THE PROTECTIVE CAP BY HAND GRIP USING THESE SURFACES.
 - FOR REMOVAL OF THE PROTECTIVE CAP WITH PLIERS GRIP USING THIS FEATURE.
 - SHORT DETECTION PIN IS 0.50mm LESS WIPE NOMINAL THAN THE SHORTEST PIN.
 - A SYMBOL WILL BE NEXT TO A DIMENSION, VIEW OR NOTE THAT HAD BEEN MODIFIED WITHIN THE CURRENT DRAWING REVISION.



spec ref	-	dr	Stu Stoner	2010/06/07	projection	MM	size	A2	scale	5:1
tolerance std	ASME Y14.5	eng	Terry Luo	2017/12/18			ecn no	ELX-DG-28818-1		
		chr	Stone Li	2017/12/19			rel level	Released		
		appr	Heaven Cen	2017/12/19	product family	AIRMAX VS	cat. no.	10115025		
surface	-	linear	0.X	±0.3		AIRMAX VS2 VERTICAL HEADER PRESS-FIT, 120 POS, 20.0 mm	rev D			
			0.XX	±0.10						
			0.XXX	±0.050						
		angular	0°	±2°	Product - Customer Drw sheet 4 of 4					