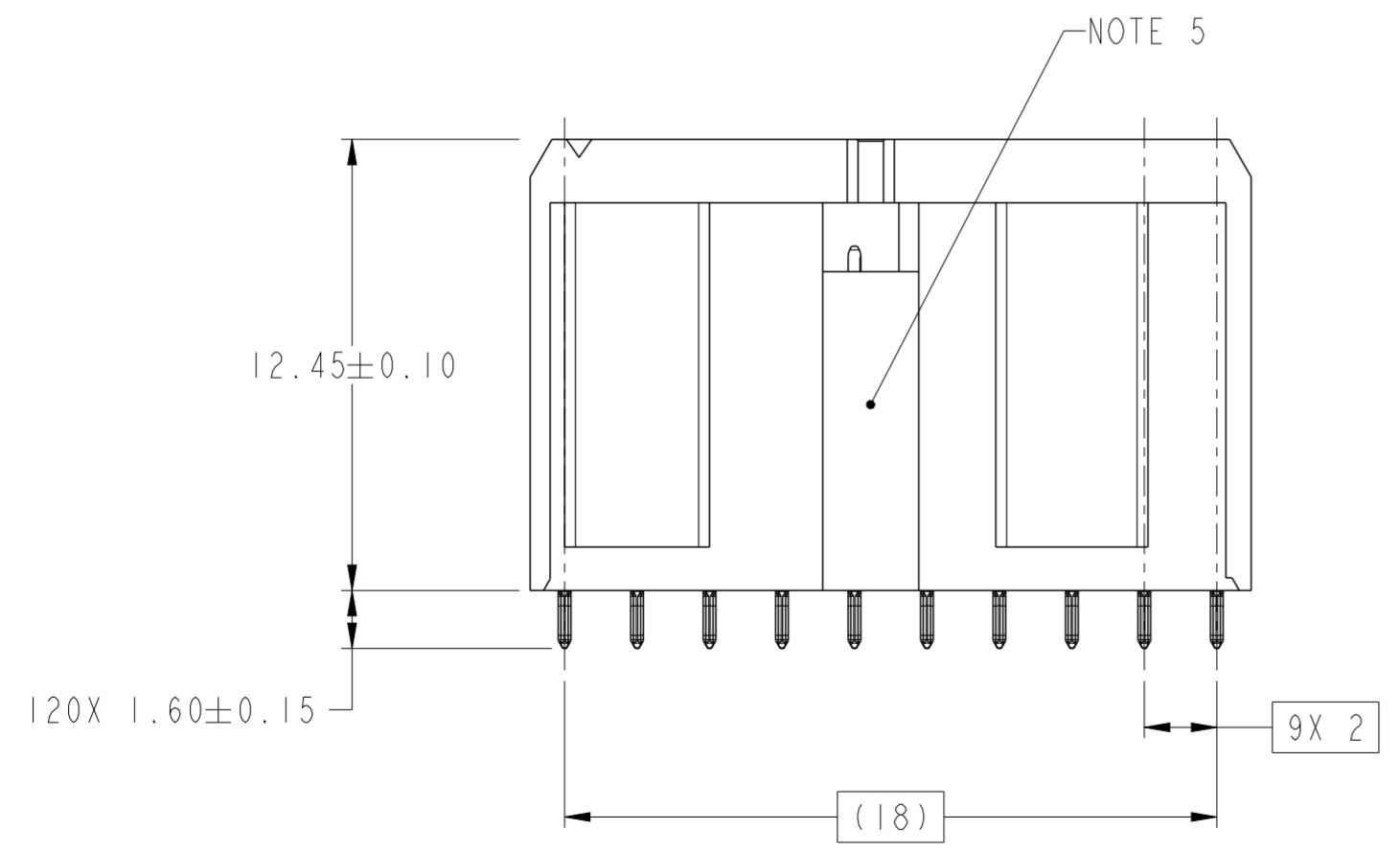
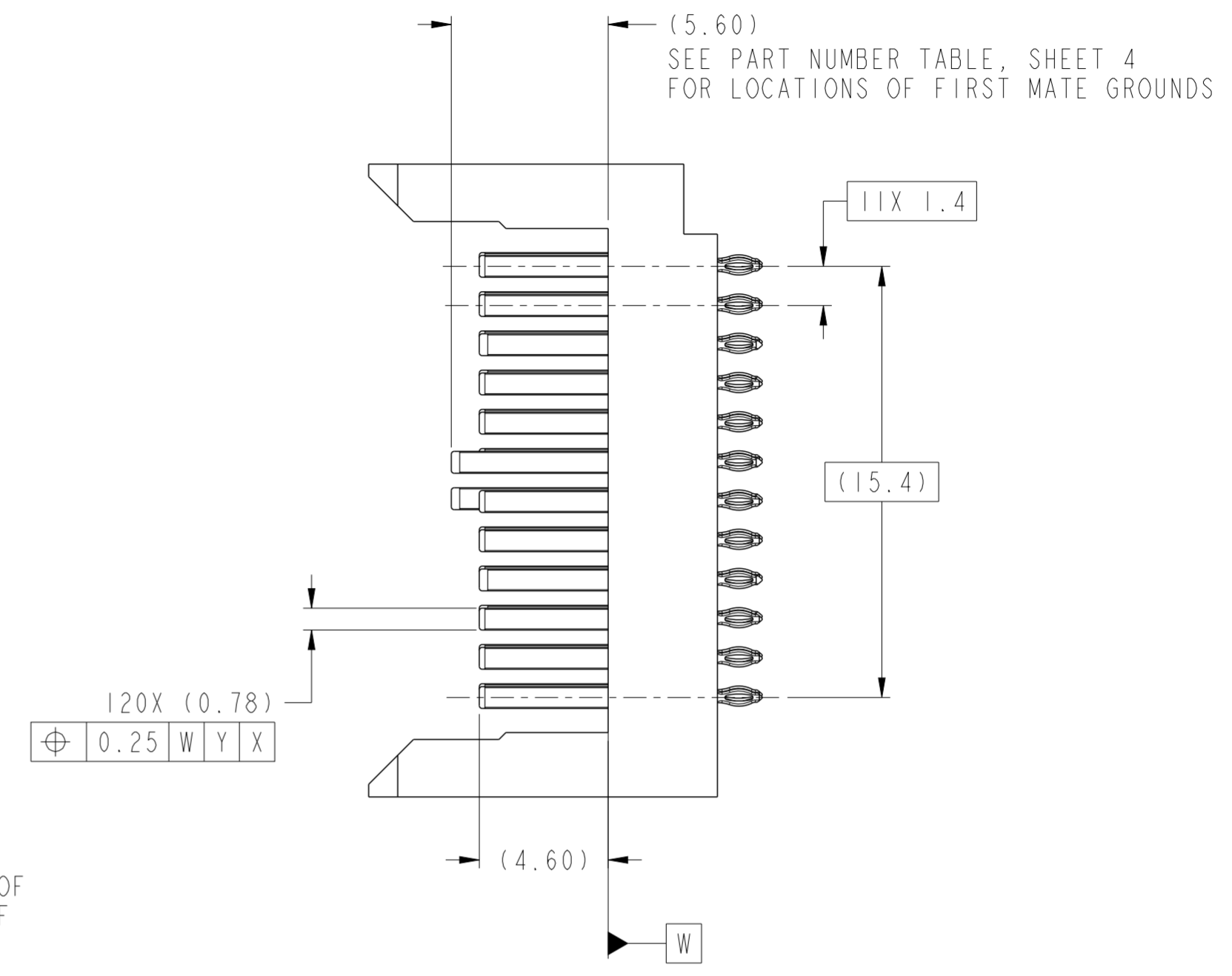
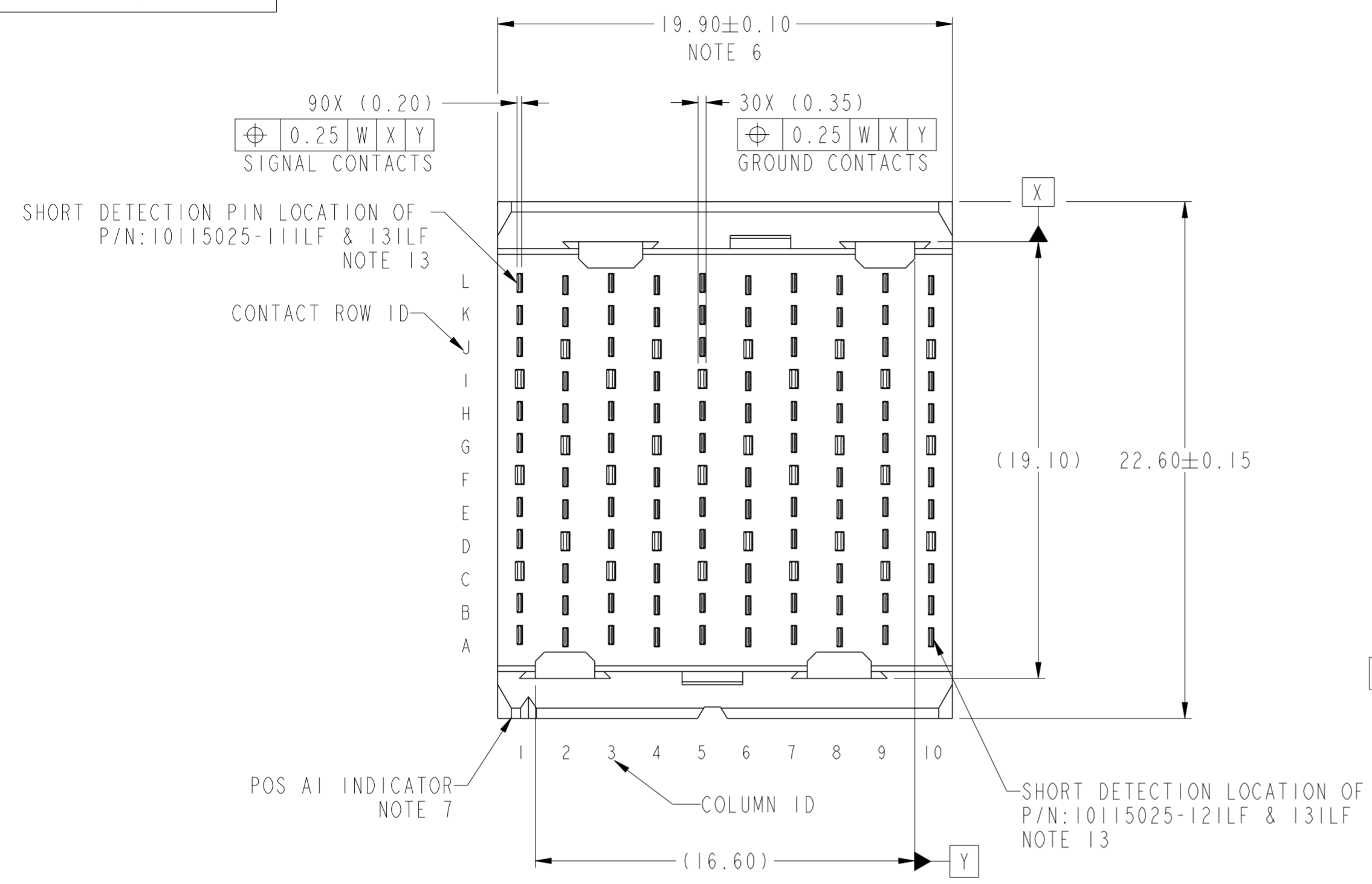


Product number
SEE TABLE, SHT 4



spec ref	-	dr	Stu Stoner	2010/06/07	projection	MM	size	A2	scale	5:1
tolerance std	ASME Y14.5	eng	Terry Luo	2017/12/18			ecn no	ELX-DG-28818-1		
TOLERANCES UNLESS OTHERWISE SPECIFIED		chr	Stone Li	2017/12/19			rel level	Released		
surface	-	appr	Heaven Cen	2017/12/19			product family	AIRMAX VS	div no	10115025
ASME Y14.5	linear	0.X	±0.3		title		AIRMAX VS2 VERTICAL HEADER			
		0.XX	±0.10		PRESS-FIT, 120 POS, 20.0 mm					
	angular	0.XXX	±0.050		cat. no.	-	Product - Customer Drw	sheet 1 of 4		
		0°	±2°							

PDS: Rev :D

STATUS:Released

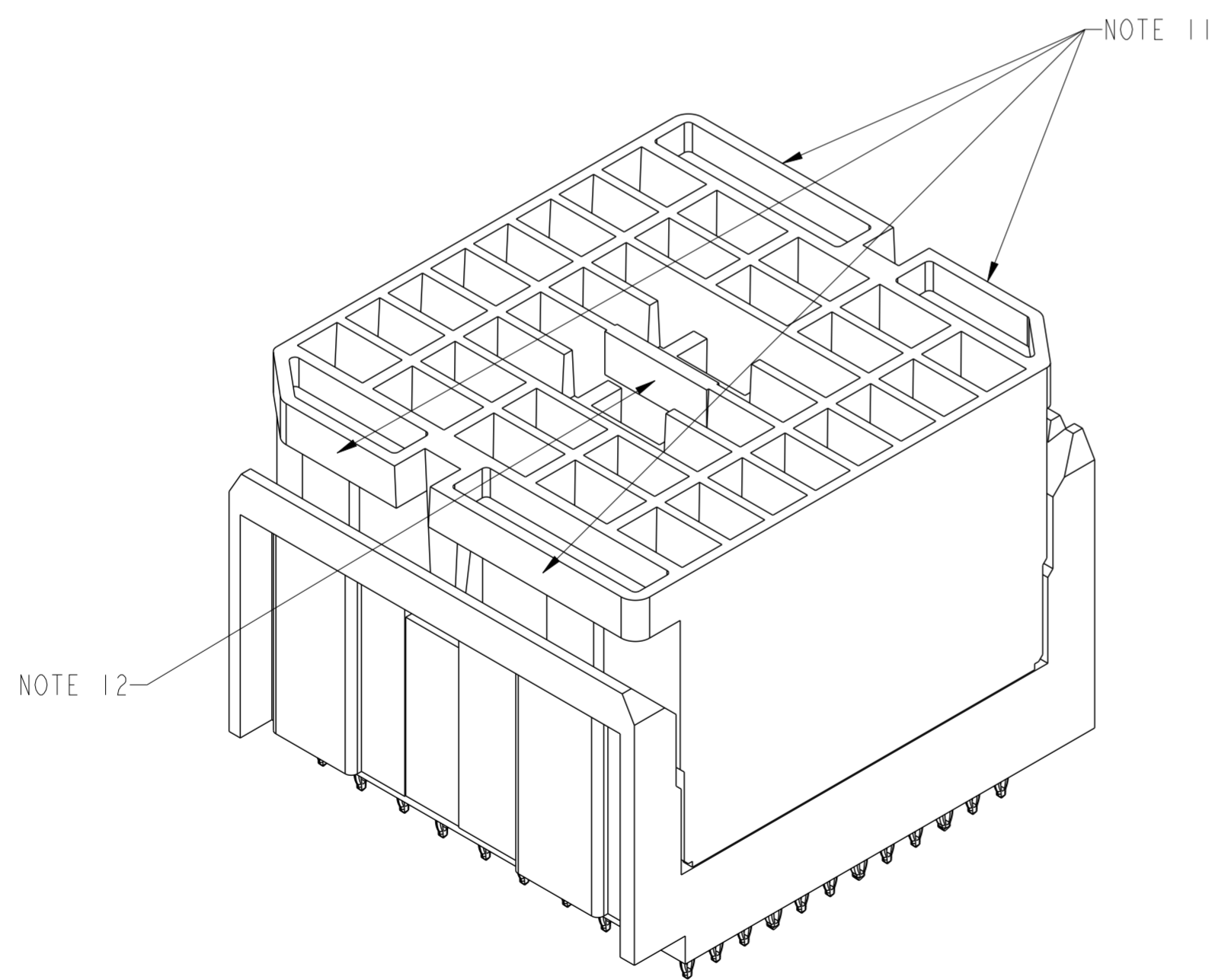
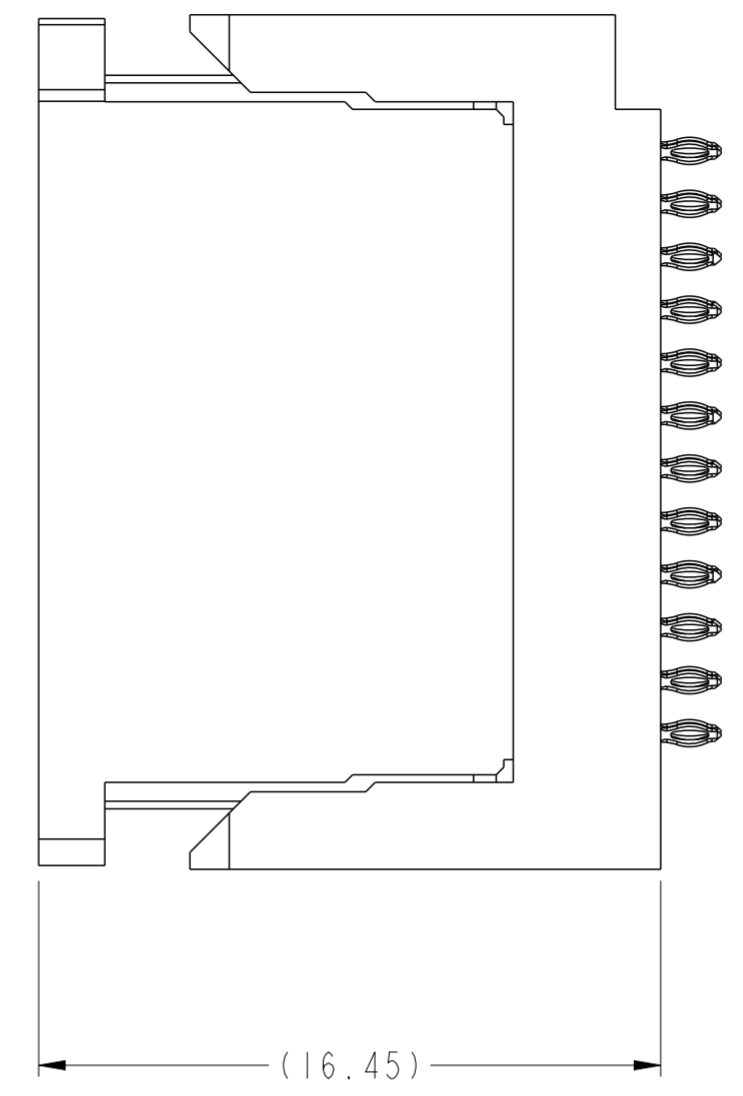
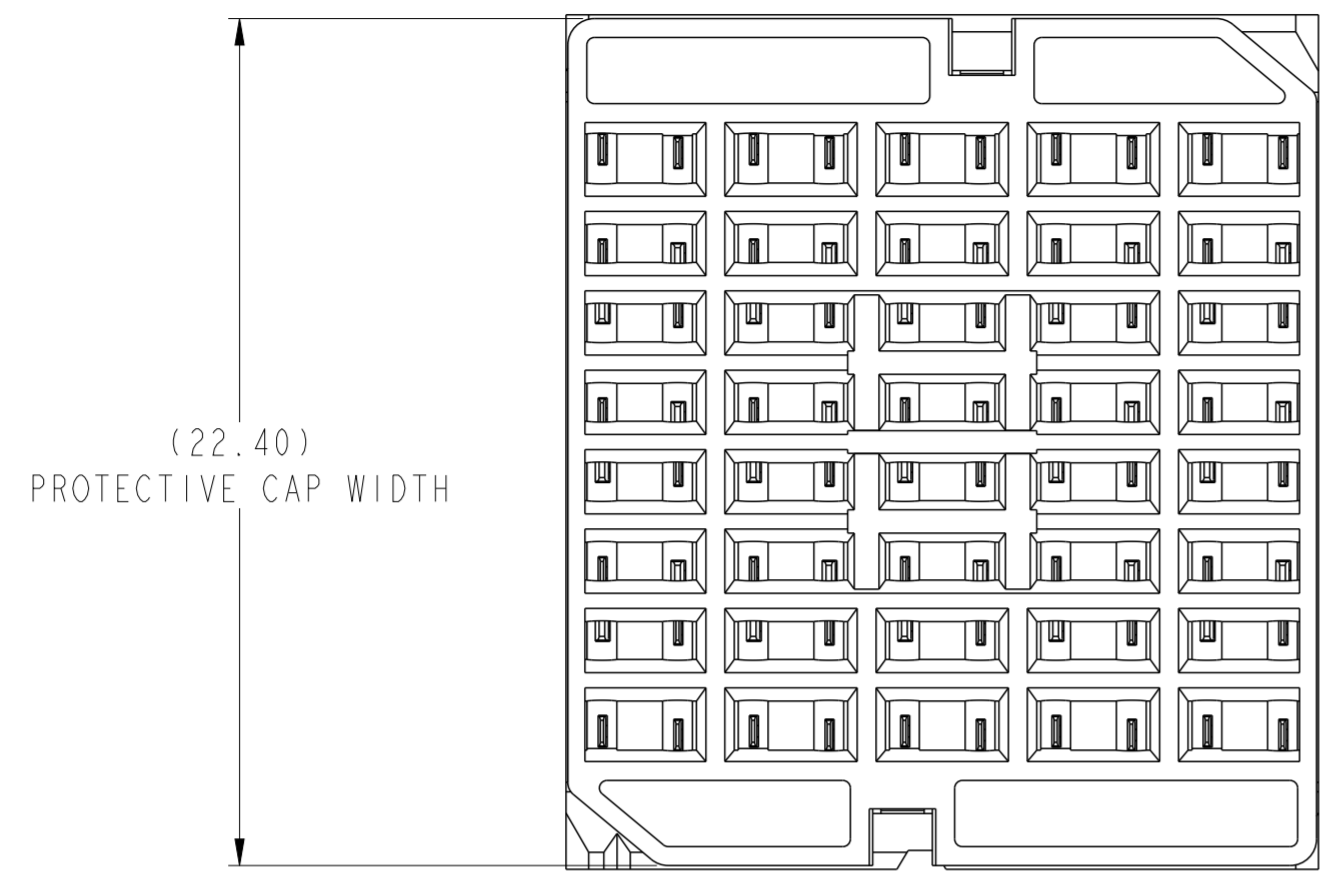
Printed: Dec 19, 2017

Amphenol FCI

© 2016 AFCI

1 2 3 4 5 6 7 8

A
B
C
D
E
F



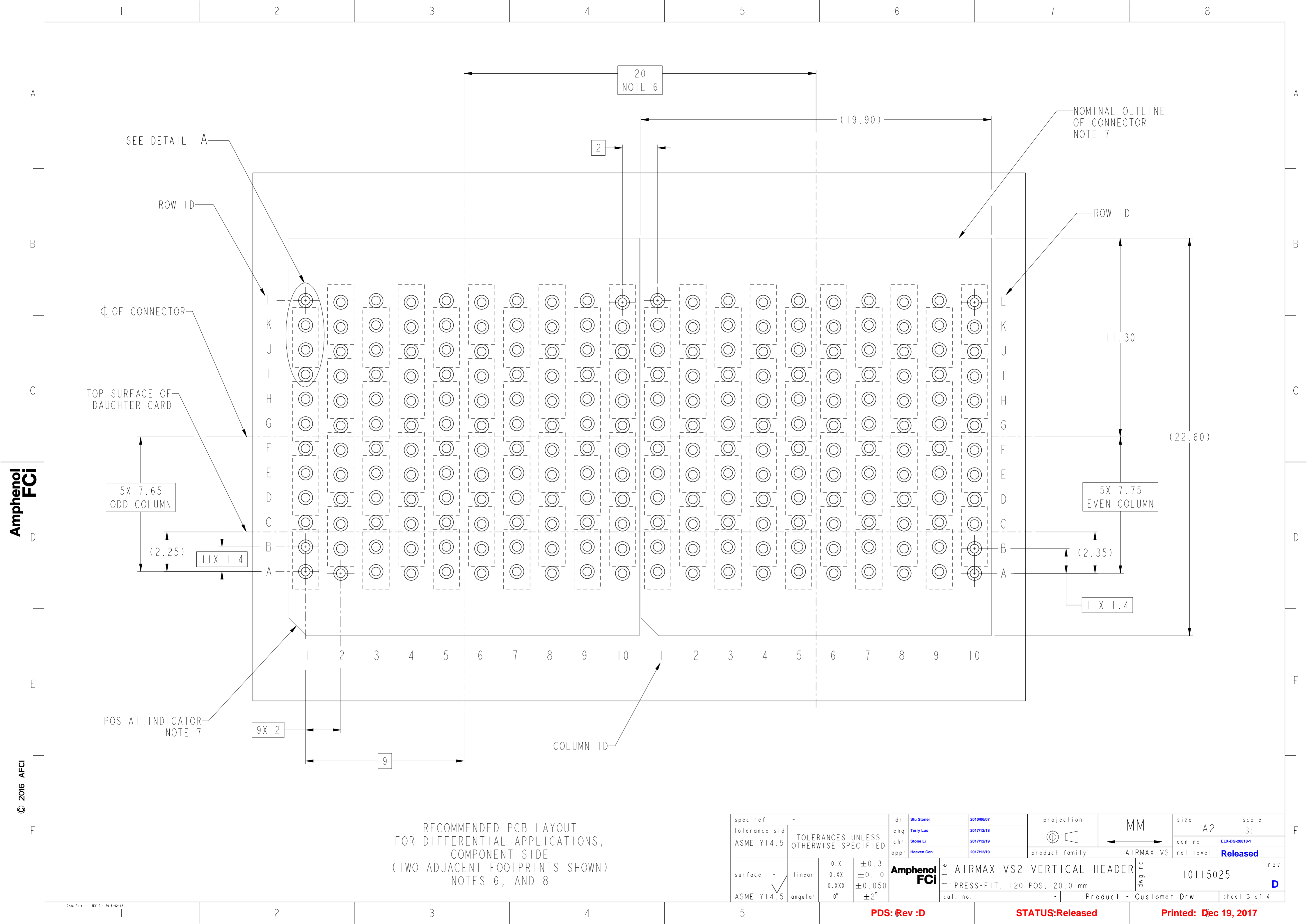
VIEWS SHOWN WITH PROTECTIVE COVER INSTALLED

Amphenol
FCi

© 2016 AFci

spec ref	-	dr	Stu Stoner	2010/06/07	projection	MM	size	A2	scale	5:1	
tolerance std	ASME Y14.5	eng	Terry Luo	2017/12/18			ecn no	ELX-DG-28818-1			
TOLERANCES UNLESS OTHERWISE SPECIFIED		chr	Stone Li	2017/12/19			rel level	Released			
surface	-	appr	Heaven Cen	2017/12/19			product family	AIRMAX VS			
linear	0.X ±0.3	Amphenol FCi		title	AIRMAX VS2 VERTICAL HEADER			dwg no	10115025		
	0.XX ±0.10				PRESS-FIT, 120 POS, 20.0 mm			rev	D		
	0.XXX ±0.050			cat. no.	-			Product - Customer Drw		sheet 2 of 4	
angular	0° ±2°			PDS: Rev :D		STATUS:Released		Printed: Dec 19, 2017			

1 2 3 4 5 6 7 8



20
NOTE 6

(19.90)

NOMINAL OUTLINE
OF CONNECTOR
NOTE 7

SEE DETAIL A

ROW ID

ROW ID

Ø OF CONNECTOR

11.30

TOP SURFACE OF
DAUGHTER CARD

(22.60)

5X 7.65
ODD COLUMN

5X 7.75
EVEN COLUMN

(2.25)

11X 1.4

(2.35)

11X 1.4

POS AI INDICATOR
NOTE 7

9X 2

COLUMN ID

9

RECOMMENDED PCB LAYOUT
FOR DIFFERENTIAL APPLICATIONS,
COMPONENT SIDE
(TWO ADJACENT FOOTPRINTS SHOWN)
NOTES 6, AND 8

spec ref	-	dr	Stu Stoner	2010/06/07	projection	MM	size	A2	scale	3:1
tolerance std	ASME Y14.5	eng	Terry Luo	2017/12/18			ecn no	ELX-DG-28818-1	rel level Released	rev D
TOLERANCES UNLESS OTHERWISE SPECIFIED		chr	Stone Li	2017/12/19			product family	AIRMAX VS		
surface	-	appr	Heaven Cen	2017/12/19			cat. no.	-		
linear	0.X ±0.3 0.XX ±0.10 0.XXX ±0.050	Amphenol FCI		title		AIRMAX VS2 VERTICAL HEADER		div no		10115025
angular	0° ±2°			PRES-FIT, 120 POS, 20.0 mm						

PDS: Rev :D

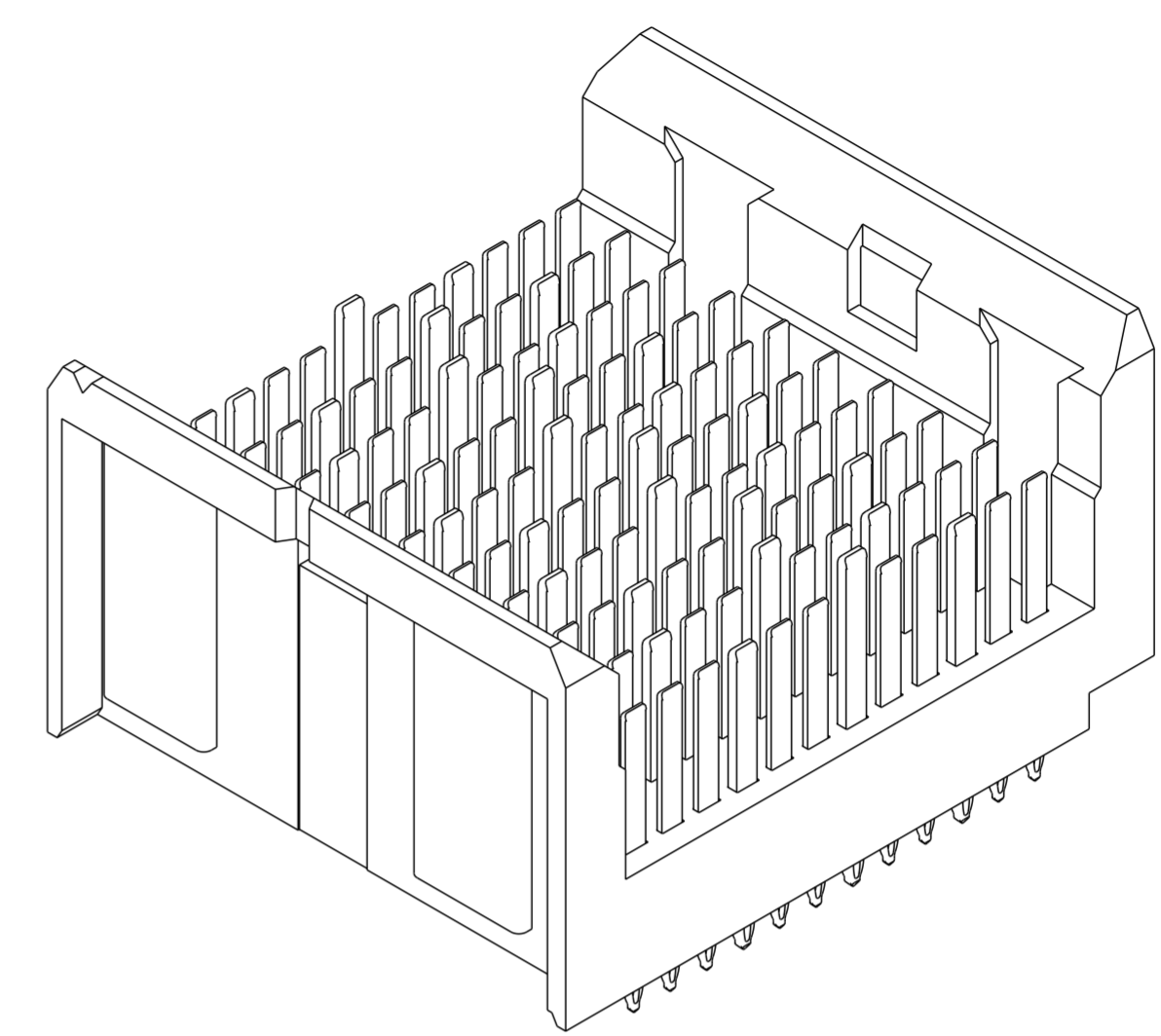
STATUS:Released

Printed: Dec 19, 2017

Amphenol
FCi

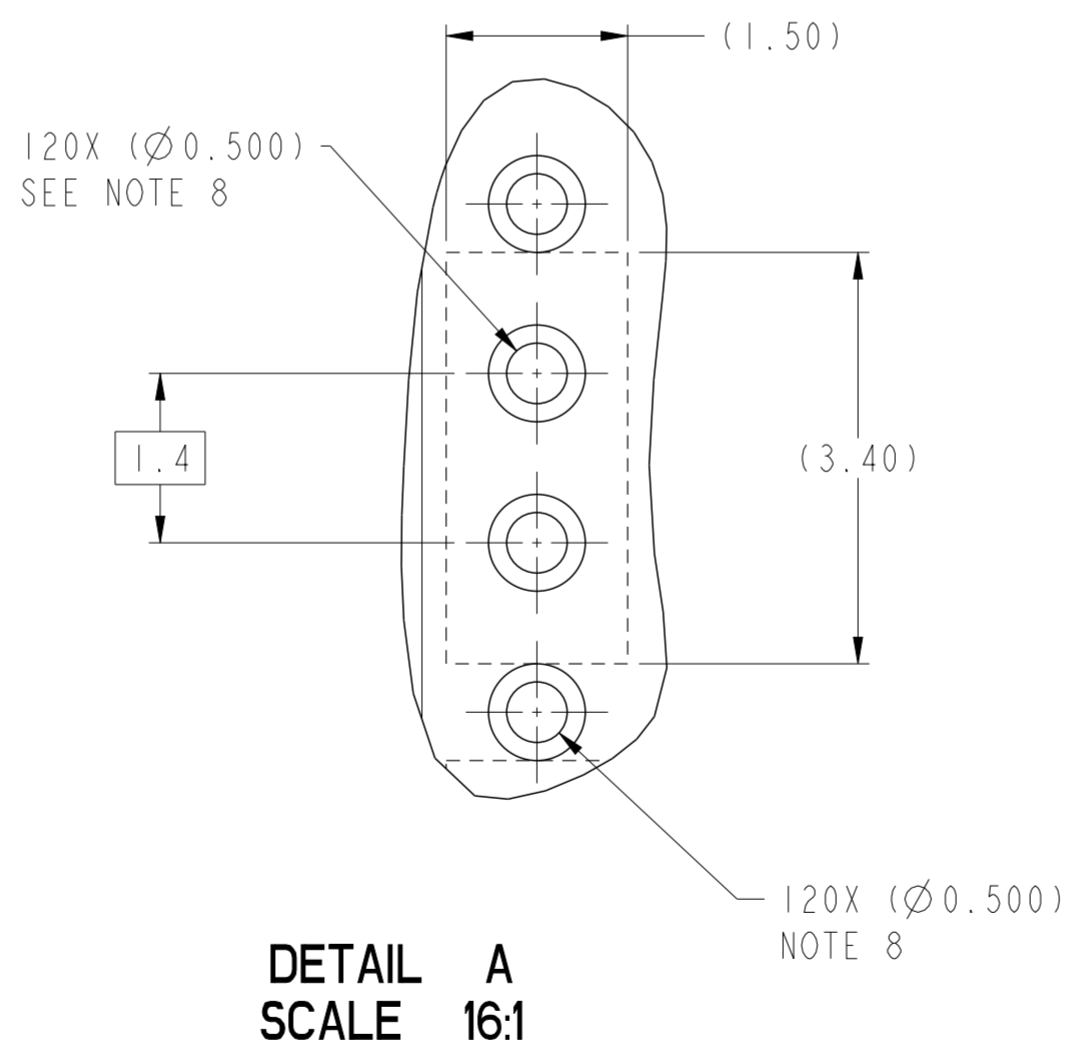
© 2016 AFci

PART NUMBER	PRESS-FIT TAIL PLATING TYPE	PROTECTIVE COVER	FIRST MATE PIN LOCATIONS (5.6mm)	SHORT DETECTION PIN OPTION	
				LOCATION	QTY
10115025-10ILF	TIN OVER NICKEL (LEAD FREE)	YES	F1, F3, F5, F7, F9, G2, G4, G6, G8, G10	NA	NA
10115025-11ILF	TIN OVER NICKEL (LEAD FREE)	YES	F1, F3, F5, F7, F9, G2, G4, G6, G8, G10	LI	1
10115025-12ILF	TIN OVER NICKEL (LEAD FREE)	YES	F1, F3, F5, F7, F9, G2, G4, G6, G8, G10	A10	1
10115025-13ILF	TIN OVER NICKEL (LEAD FREE)	YES	F1, F3, F5, F7, F9, G2, G4, G6, G8, G10	LI AND A10	2



10115025-10ILF

- NOTES:
- CONNECTOR MATERIALS:
HOUSING: HIGH TEMP THERMOPLASTIC, BLACK, UL94V-0
CONTACT: COPPER ALLOY
 - CONTACT PLATING:
SEPARABLE INTERFACE: PERFORMANCE-BASED PLATING, QUALIFIED TO MEET THE REQUIREMENTS OF FCI PRODUCT SPECIFICATION GS-12-239 INCLUDING TELCORDIA GR-1217-CORE (NOVEMBER 1995) CENTRAL OFFICE TEST SEQUENCE
PRESS-FIT TAILS: SEE TABLE
 - PRODUCT SPECIFICATION: GS-12-239.
 - APPLICATION SPECIFICATION: GS-20-035.
 - PRODUCT MARKING, (PROTOTYPE, PART NUMBER & LOT CODE), ON THIS SURFACE.
 - THE MINIMUM CENTERLINE SPACING BETWEEN ADJACENT MODULES IS 20.0 mm.
 - CONNECTOR OUTLINE WITH HOUSING POS A1 INDICATOR MAY BE SCREEN PRINTED ONTO CUSTOMER PCB TO BE USED AS A GUIDE FOR MANUAL CONNECTOR PLACEMENT.
 - REFER TO CUSTOMER DRAWING 10045979 FOR INFORMATION ON PCB HOLE DIAMETERS AND PLATING OPTIONS.
 - THIS PRODUCT MEETS EUROPEAN UNION DIRECTIVES AND OTHER COUNTRY REGULATIONS AS DESCRIBED IN GS-22-008.
 - PACKAGING MEETS GS-14-920 LEAD FREE LABELING SPECIFICATION.
 - FOR REMOVAL OF THE PROTECTIVE CAP BY HAND GRIP USING THESE SURFACES.
 - FOR REMOVAL OF THE PROTECTIVE CAP WITH PLIERS GRIP USING THIS FEATURE.
 - SHORT DETECTION PIN IS 0.50mm LESS WIPE NOMINAL THAN THE SHORTEST PIN.
 - A \triangle SYMBOL WILL BE NEXT TO A DIMENSION, VIEW OR NOTE THAT HAD BEEN MODIFIED WITHIN THE CURRENT DRAWING REVISION.



spec ref	-	dr	Stu Stoner	2010/06/07	projection	MM	size	A2	scale	5:1
tolerance std	ASME Y14.5	eng	Terry Luo	2017/12/18			ecn no	ELX-DG-28818-1		
TOLERANCES UNLESS OTHERWISE SPECIFIED		chr	Stone Li	2017/12/19			rel level	Released		
surface	-	appr	Heaven Cen	2017/12/19	product family	AIRMAX VS	cat. no.	10115025		
ASME Y14.5	linear	0.X	±0.3		AIRMAX VS2 VERTICAL HEADER PRESS-FIT, 120 POS, 20.0 mm	rev D	Product - Customer Drw			
	angular	0°	±2°				sheet 4 of 4			