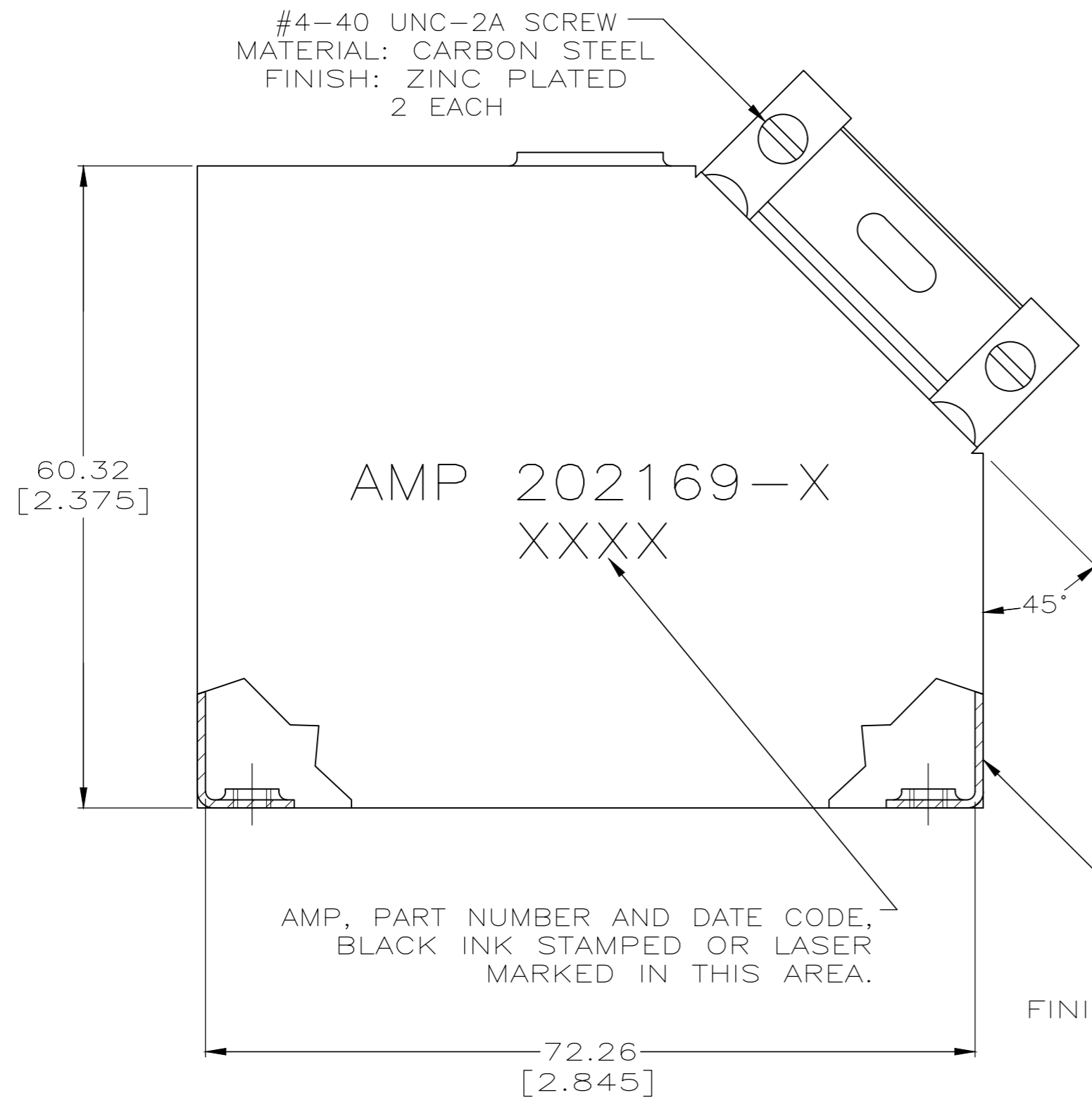


THIS DRAWING IS UNPUBLISHED. RELEASED FOR PUBLICATION
 © COPYRIGHT - L ALL RIGHTS RESERVED.

REVISIONS				
P	LTR	DESCRIPTION	DATE	APVD
L		REVISED PER ECO-18-007013	21MAY2018	KH MZ



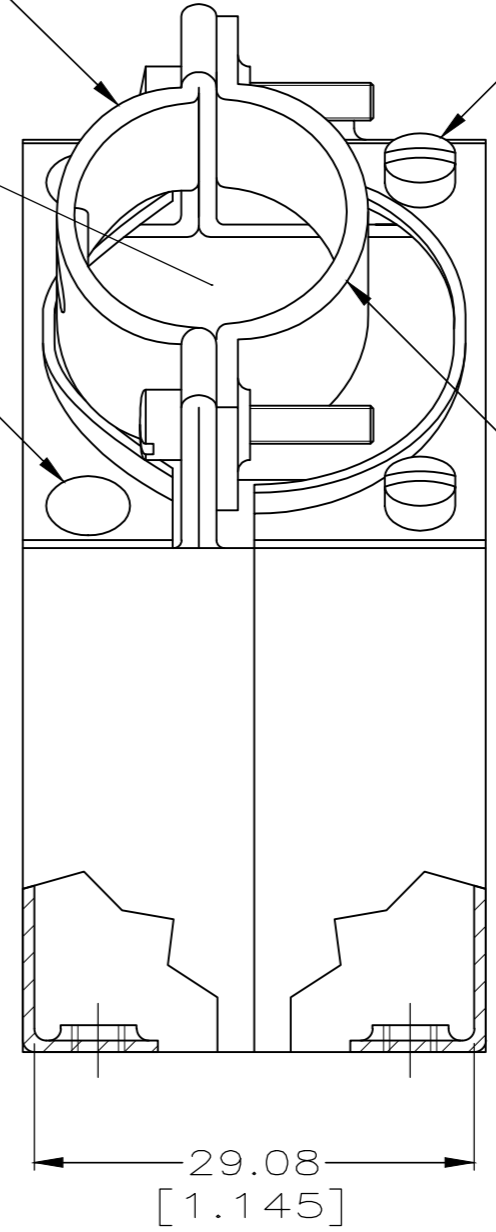
FIXED CABLE CLAMP
 MATERIAL: STAINLESS STEEL
 1 EACH

RIVET
 MATERIAL: STEEL
 FINISH: NICKEL PLATED
 2 EACH

SHIELDS
 MATERIAL: CARBON STEEL
 FINISH: 5.08um [.000200] MIN NICKEL
 2 EACH

#4-40 UNC-2A SCREW
 MATERIAL: CARBON STEEL
 FINISH: $\triangle 2$ $\triangle 3$
 2 EACH

CABLE CLAMP
 MATERIAL: CARBON STEEL
 FINISH: 5.08um [.000200] MIN NICKEL
 1 EACH



$\triangle 3$	202169-4
$\triangle 2$	202169-1
SCREW FINISH	PART NUMBER

- $\triangle 1$ ACCOMMODATES 22.86-25.40[.900-1.000] DIAMETER CABLE.
- $\triangle 2$ FINISH: ZINC WITH HEXAVALENT CHROMATE.
- $\triangle 3$ FINISH: ZINC WITH NON-HEXAVALENT CHROMATE.

THIS DRAWING IS A CONTROLLED DOCUMENT.		DWN D.HARDY 10-25-94	TE Connectivity Ltd.																			
DIMENSIONS: mm [INCHES]		CHK R.STONE 10-27-94																				
TOLERANCES UNLESS OTHERWISE SPECIFIED:		APVD -	NAME SHIELD KIT, UNASSEMBLED, 104 POSITION, M SERIES																			
<table border="1"> <tr><td>0 PLC</td><td>±</td><td>-</td></tr> <tr><td>1 PLC</td><td>±</td><td>-</td></tr> <tr><td>2 PLC</td><td>±</td><td>0.38 [.015]</td></tr> <tr><td>3 PLC</td><td>±</td><td>-</td></tr> <tr><td>4 PLC</td><td>±</td><td>-</td></tr> <tr><td>ANGLES</td><td>±</td><td>-</td></tr> </table>		0 PLC	±	-	1 PLC	±	-	2 PLC	±	0.38 [.015]	3 PLC	±	-	4 PLC	±	-	ANGLES	±	-	PRODUCT SPEC -	SIZE A2	
0 PLC	±	-																				
1 PLC	±	-																				
2 PLC	±	0.38 [.015]																				
3 PLC	±	-																				
4 PLC	±	-																				
ANGLES	±	-																				
MATERIAL SEE CALLOUTS		FINISH SEE CALLOUTS	APPLICATION SPEC -	CAGE CODE 00779																		
		WEIGHT 0	DRAWING NO C=202169	RESTRICTED TO -																		
		CUSTOMER DRAWING	SCALE 2:1	SHEET 1 of 1																		