

PART NAME: CASE SCALE: 1:1 DATE: 1/26/83 DR. BY HD

DAVIES MOLDING COMPANY

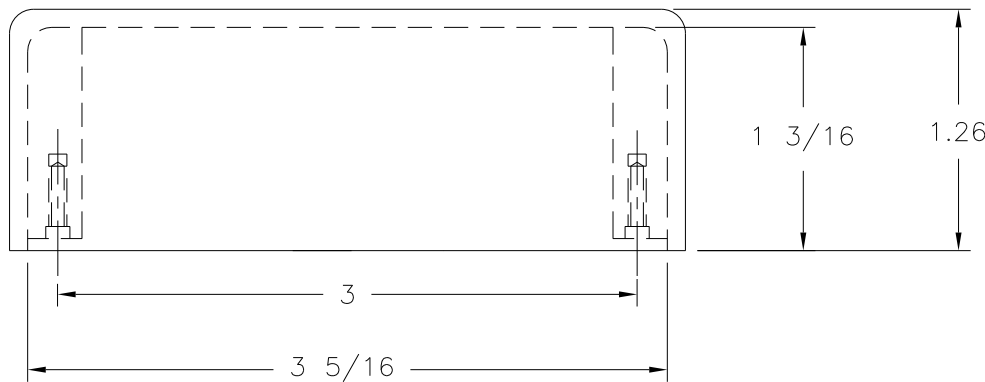
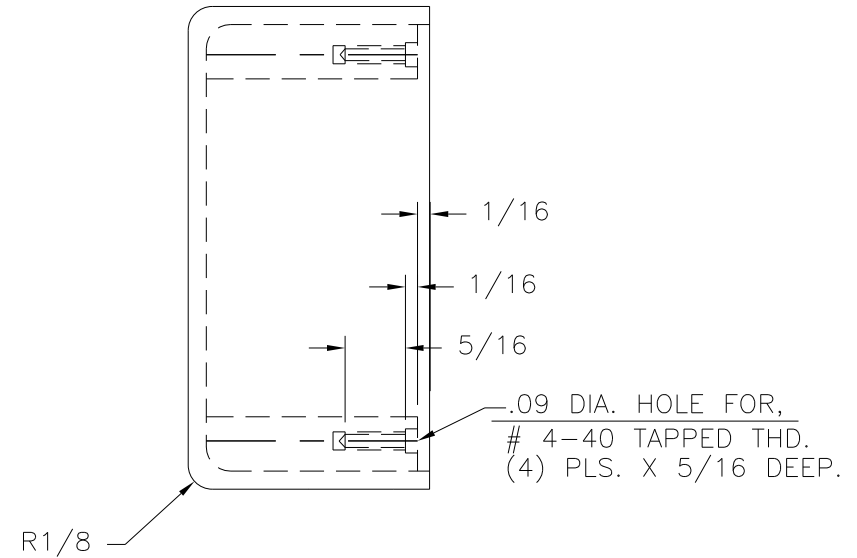
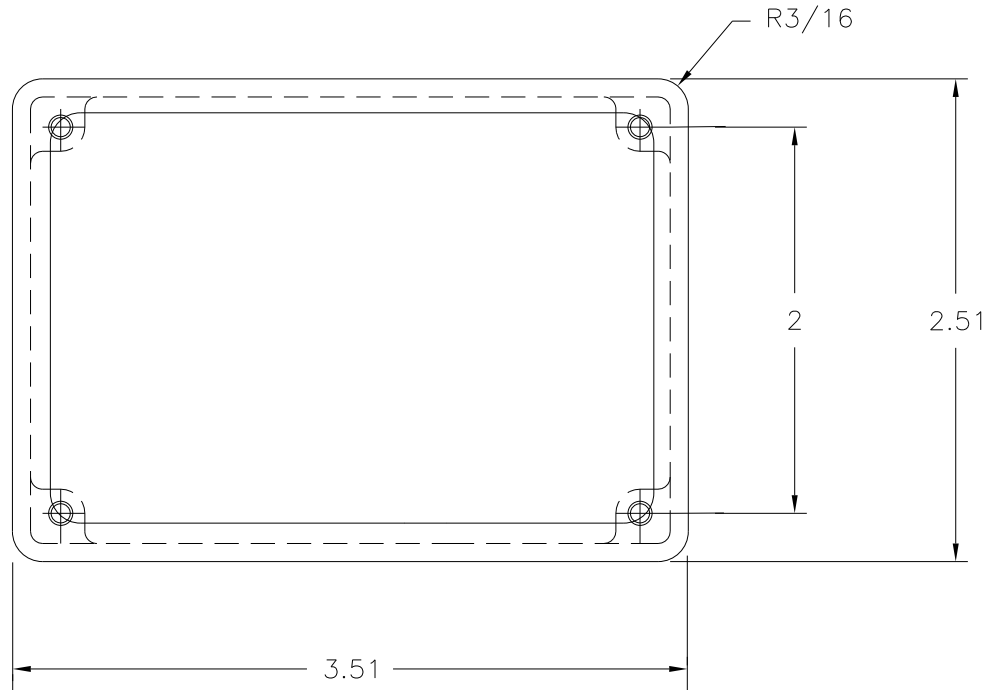
P/N 210-A

THIS DRAWING IS THE PROPERTY OF DAVIES MOLDING COMPANY, IS SUBMITTED SOLELY AS A DESIGN OR ENGINEERING PROJECT. WE ACCEPT NO RESPONSIBILITY WHATSOEVER FOR THE PRACTICAL APPLICATION OF THE PIECES MADE TO THIS DESIGN.

CAROL STREAM, ILLINOIS 60188

BASE PART 0210-01

CAD/REDRAWN : 8/16/94 : HD



NOTE(S) :  
 (1) MOLDED CASES MUST BE ROUTED AT THE MOLDING PRESS.  
 (2) ALL MOLDED CASES MUST BE FREE OF BLISTERED CONDITION.

MATERIAL: G.P. PHENOLIC (B11)  
 COLOR: BLACK

TOLERANCES: UNLESS OTHERWISE SPECIFIED	DO NOT SCALE DRAWING				
DECIMALS: X.XXX ± .005 X.XX ± .015	MM: X.XX ± 0.15MM X.X ± 0.4MM	-	UPDATED TOOLBOX	JAM	3/4/03
FRACTIONS ± 1/64	ANG. ± 1°	CHANGES			