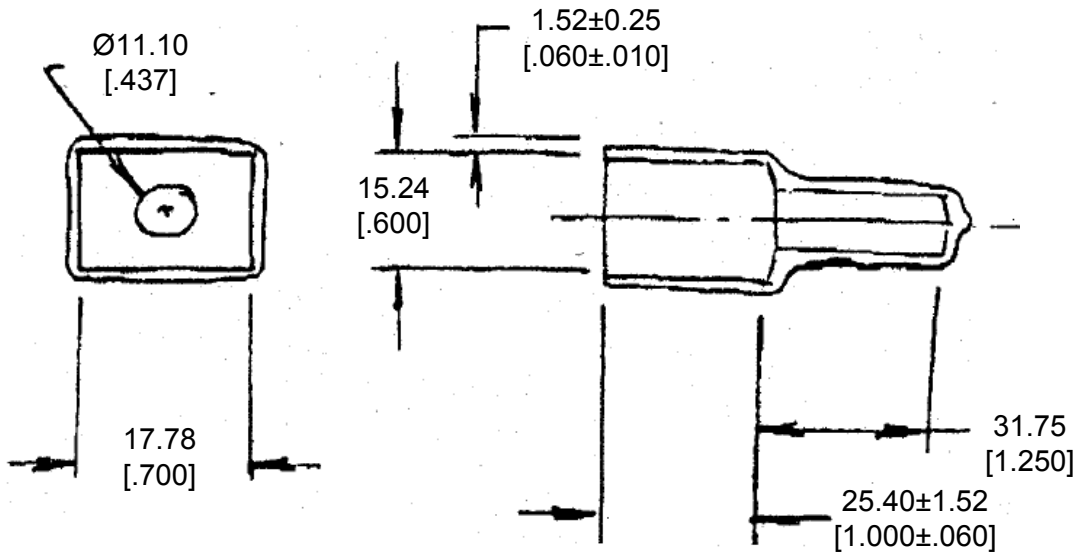


REVISIONS					
P	LTR	DESCRIPTION	DATE	DWN	APVD
	A	NEW RELEASE PER ECO-14-008761	06-10-14	DM	DM



- 3. PART NO. DT4P-BT
- 2. TEMPERATURE RATING: -29°C TO +100°C [-20°F TO +212°F]
- 1. THIS PART IS USED ON DT04-4P RECEPTACLES WITH ANY MODIFICATION THAT DOES NOT INCLUDE AN END CAP.

2014

RELEASED FOR PUBLICATION

THIS DRAWING IS UNPUBLISHED.

ALL RIGHTS RESERVED.

© COPYRIGHT 2014 BY TE CONNECTIVITY

DIMENSIONS: <b>MM [INCH]</b>	DWN	D. MEYER 10JUN2014	MATERIAL	PVC	FINISH	GRAY
	CHK	R. MESSENGER 10JUN2014	TE Connectivity			
TOLERANCES UNLESS OTHERWISE SPECIFIED:	APVD	D. MEYER 10JUN2014				
	PRODUCT SPEC		SIZE	CAGE CODE	DRAWING NO	RESTRICTED TO
	APPLICATION SPEC		A 4	4AFU8	C = DT4P-BT	-
0 PLC ±	WEIGHT	6.60 g	Customer Drawing			
1 PLC ±	SCALE	NONE	SHEET		1 OF 1	REV
2 PLC ± 0.63 [0.025]						
3 PLC ±						
4 PLC ±						
ANGLES ± 5°						

