

THIS DRAWING IS UNPUBLISHED.

RELEASED FOR PUBLICATION

20

© COPYRIGHT 20 BY -

ALL RIGHTS RESERVED.

REVISIONS

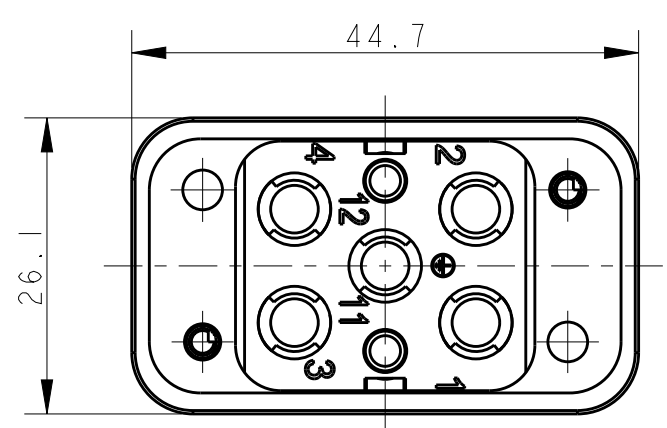
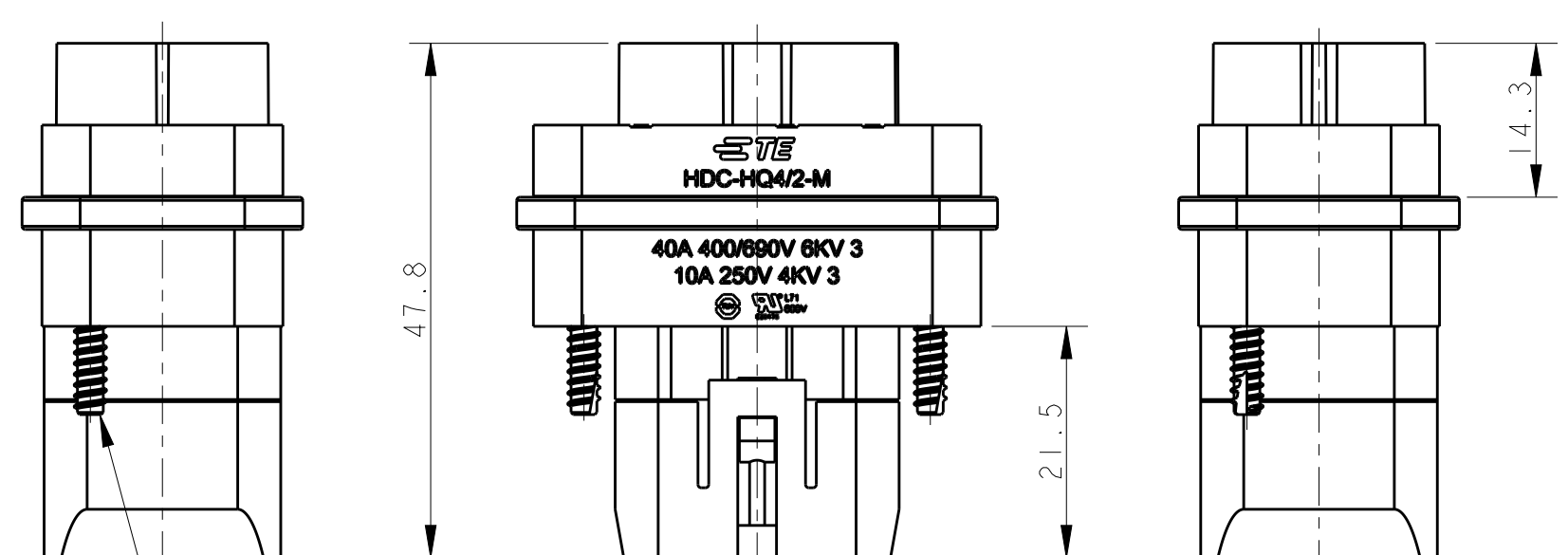
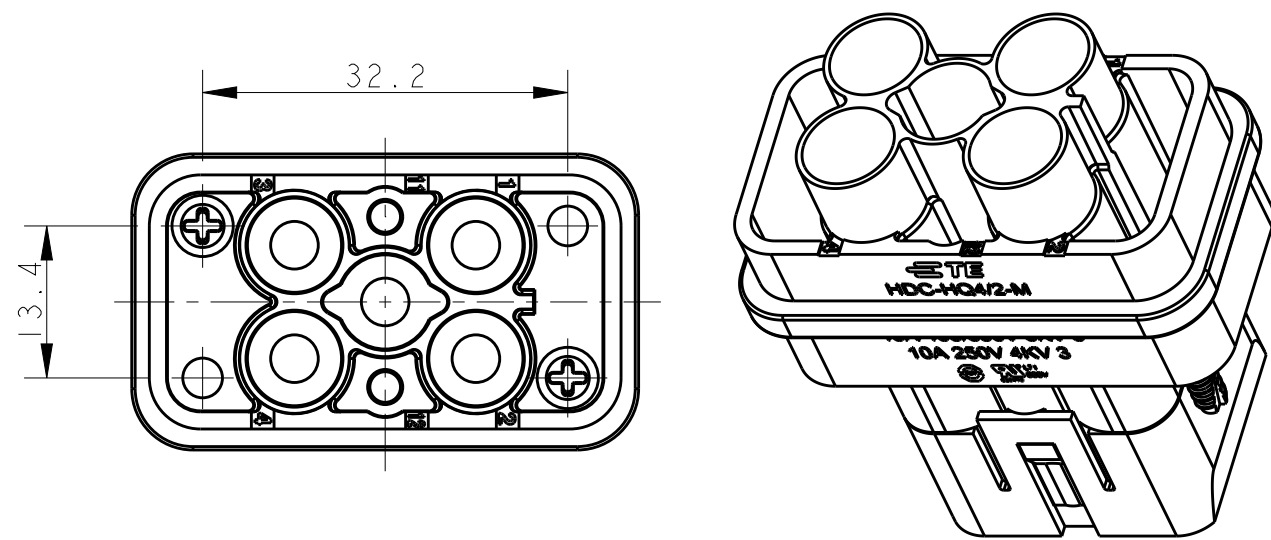
P	LTR	DESCRIPTION	DATE	DWN	APVD
A		INITIAL RELEASE	02APR2015	DL	CW
B		ECR-15-014706	09OCT2015	DL	CW
B1		ECR-16-000007	08JAN2016	YC	CW
B2		ECR-19-011053	15JUL2019	AL	CW

NOTES:

- TECHNICAL CHARACTERISTICS:
 INSULATION MATERIAL: PC
 FOR POWER SIDE:
 RATED VOLTAGE: CONDUCTOR-GROUND: 400V
 CONDUCTOR-CONDUCTOR: 690 V
 RATED CURRENT: 40 A
 RATED IMPULSE VOLTAGE: 6 KV
 POLLUTION DEGREE: 3
 FOR SIGNAL SIDE:
 RATED VOLTAGE: 250 V
 RATED CURRENT: 10 A
 RATED IMPULSE VOLTAGE: 4 KV
 POLLUTION DEGREE: 3
 INSULATION RESISTANCE: >=400MΩ
 FLAMMABILITY: UL94V-0
 MATING CYCLES: 500 CYCLES
 WIRE RANGE: POWER PIN: 1-6 mm² (18-10 AWG)
 SIGNAL PIN: 0.14-2.5 mm² (26-14 AWG)
 CONTACT TYPE: CRIMP CONTACT
- CONTACT NEED TO BE ORDERED SEPARATELY.
 (ORDER No. REFER TO DRAWING: POWER PIN - T20400X10XX000;
 SIGNAL PIN - T20200X10XX000; GROUNDING PIN - T2042001XXX000)

注释:

- 技术参数:
 绝缘材料: PC
 电源侧
 额定电压: 导体-地: 400V; 导体-导体: 690V
 额定电流: 40A
 额定脉冲电压: 6 KV
 污染等级: 3
 信号侧
 额定电压: 250V
 额定电流: 10A
 额定脉冲电压: 4 KV
 污染等级: 3
 绝缘电阻: >=400MΩ
 阻燃等级: UL94V-0
 插拔次数: 500次
 接线范围: 电源PIN: 1-6 mm² (18-10 AWG)
 信号PIN: 0.14-2.5 mm² (26-14 AWG)
 接线类型: 冷压接
- 端子需要单独订购。
 (订货号参考图面: 电源PIN - T20400X10XX000; 信号PIN - T20200X10XX000;
 接地PIN - T2042001XXX000)



T2080062101-100	HQ-4/2-M	HQ-4/2 MALE INSERT HQ4/2公插
PART NUMBER 料号	PART DESCRIPTION 描述	

THIS DRAWING IS A CONTROLLED DOCUMENT.	
DIMENSIONS: mm	TOLERANCES UNLESS OTHERWISE SPECIFIED: 0 PLC ±- 1 PLC ±- 2 PLC ±- 3 PLC ±- 4 PLC ±- ANGLES ±-
MATERIAL	FINISH

DWN	31MAR2015
DAVID LI	
CHK	31MAR2015
CHRIS WANG	
APVD	31MAR2015
XU XIANG	
PRODUCT SPEC	108-137117
APPLICATION SPEC	114-137117
WEIGHT	-
CUSTOMER DRAWING	

 TE Connectivity		NAME	
		HQ-4/2-M	
SIZE	CAGE CODE	DRAWING NO	RESTRICTED TO
A3	-	©-T2080062101100	
SCALE		SHEET	REV
3:2		1 OF 1	B2