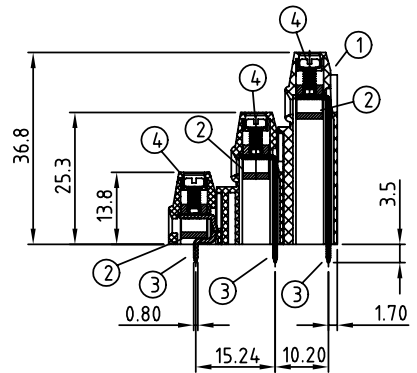


P.C.B LAYOUT



N = Number of poles
 Dim A = N x 5.08
 Dim B = (N - 1) x 5.08

	Dim A	Dim B
2-6p	±0.15	±0.10
7-12p	±0.20	±0.20
13-18p	±0.30	±0.25
19-24p	±0.40	±0.30

SIGN	DATE	DESCRIPTION	APPROVER
△	01/18'07	Soldering temperature changed from 245° to 250°	Tason
△	01/18'07	Part NO is Changed	Tason

THIS IS CAD DRAWING, DO NOT REVISE MANUALLY!!!

- Material:
- Item 1 Terminal housing :Thermoplastic (UL 94V-0)
 - Item 2 Clamp : Brass ,Ni plated
 - Item 3 Wire guard solder pin :Brass ,Tin plated
 - Item 4 Terminal screw: Steel Zinc plating"- "slot type

- Electrical
- Voltage rating: 300VAC
 - Current rating: 10A
 - Wire range:
 - Solid wire(AWG): 12-24
 - Stranded wire(AWG): 12-24
 - Torque(Lb-In): 3.5
 - Screw: M2.5
 - Wire strip length: 6-7mm
 - Withstanding Voltage: 1.6KV
 - Operating temperature: -40°C to +115°C
 - △ ● Soldering temperature: 250°C±10°C/5 Sec

△ YN xx 21 5 0 xxxx G

06 2x3P 0000:"@"Logo (Standard) Pb < 40,000ppm (RoHS)
 09 3x3P 000A:"ANYTEK"Logo

 72 3x24p Any special item by customer request, please contact sales department.

ANYTEK				CUSTOMER COPY			
ALL RIGHTS RESERVED. REPRODUCTION OR ISSUE TO THIRD PARTIES IN ANY FORM WHATSOEVER IS NOT PERMITTED WITHOUT WRITTEN AUTHORITY FROM THE PROPRIETOR. PROPERTY OF ANYTEK TECHNOLOGY CO., LTD							
TITLE		YN 5.08 Series					
PART NO.		YNxx2150xxxxG			DWG NO.		8YN0101
APPROVED		CHECKED	DESIGNED	DRAWN	CUST NO.		Tolerance
			熊海燕	熊海燕			UNIT: mm
			2007.01.25	2007.01.25			SCALE: NONE
					SHEET: 01/01		X.X ±0.30
							X.XX ±0.10
							X° ±1°