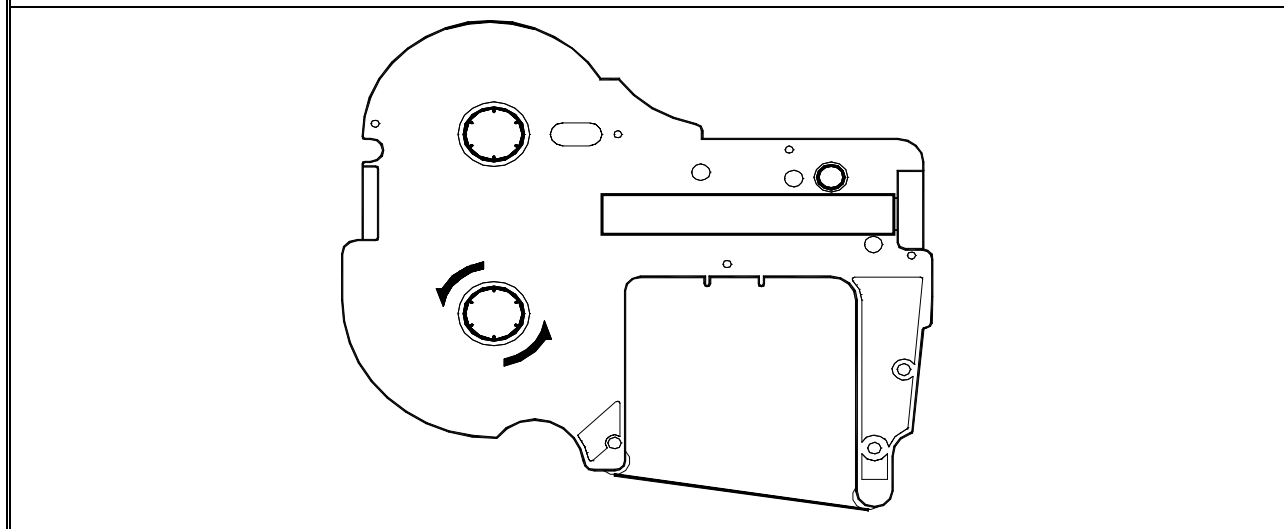


DATA SHEET DS/239	SI2KSYSUNO RIBBONS FOR SI2KPRINTUNO PRINTER	DATE 09/01/08
-----------------------------	--	-------------------------

GRAPHIC REPRESENTATION



REFERENCE ITEM CODE

SI2KSBN/B - SI2KRBN/S - SI2KRBN/RS - SI2KRBN/L - SI2KRBN/R - SI2KRBN/W

PHYSICAL PROPERTIES

TEMPERATURE OF USE	+15 ÷ +32,5 °C, Relative humidity 10% ÷ 85%
TEMPERATURE OF WAREHOUSING	+5 ÷ +32 °C, Relative humidity 10% ÷ 85%
LIGHT FASTNESS	Unaltered Black (≥ 7 – UNI 5773:1966 - Grey scale)
ALCOHOL RESISTANCE	☺
HEXANE RESISTANCE	☺

SERIES PROPERTIES

ITEMS CODE	RIBBON LENGHT	DESCRIPTION	COMPATIBILITY WITH SI2KPRINTUNO
SI2KSBN/B	130	STRONG BLACK RIBBON	ALL FIRMWARE RELEASES
SI2KRBN/R	130	RED RIBBON "PLATE" OPTION	ALL FIRMWARE RELEASES
SI2KRBN/RS	130	RED RIBBON "STACK" OPTION	ALL FIRMWARE RELEASES
SI2KRBN/W	110	WHITE RIBBON	ALL FIRMWARE RELEASES
SI2KRBN/S	130	SILVER RIBBON	ALL FIRMWARE RELEASES
SI2KRBN/L	130	GOLD RIBBON	ALL FIRMWARE RELEASES

GENERAL CHARACTERISTICS

PRINTABLE MATERIALS	SI2KPRINTUNO FEEDER OPTION
ABS	'STACK FEEDER' (for cable tags)
POLYCARBONATE	'SINGLE FEEDER' (for terminal block)
PVC	'NONE' (for PVC items)
METACRYLATE	'NONE' and 'ACRYLATE' for manual metacrylate items

NOTES:

Document Number	APPR. BY:	DATE:	REVISION OBJECT	PAGES:
78-8127-9039-8		09/01/08		1 of 1