

6 5 4 3 2 1

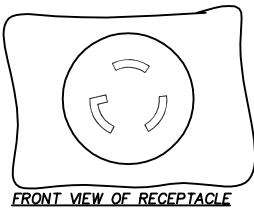
E

D

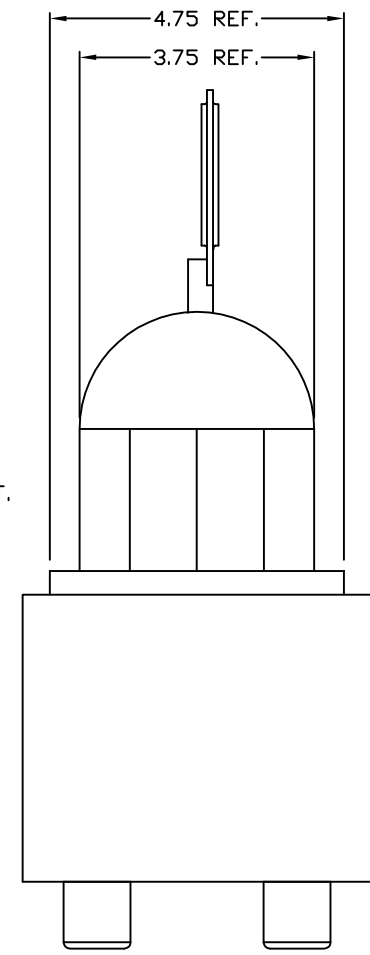
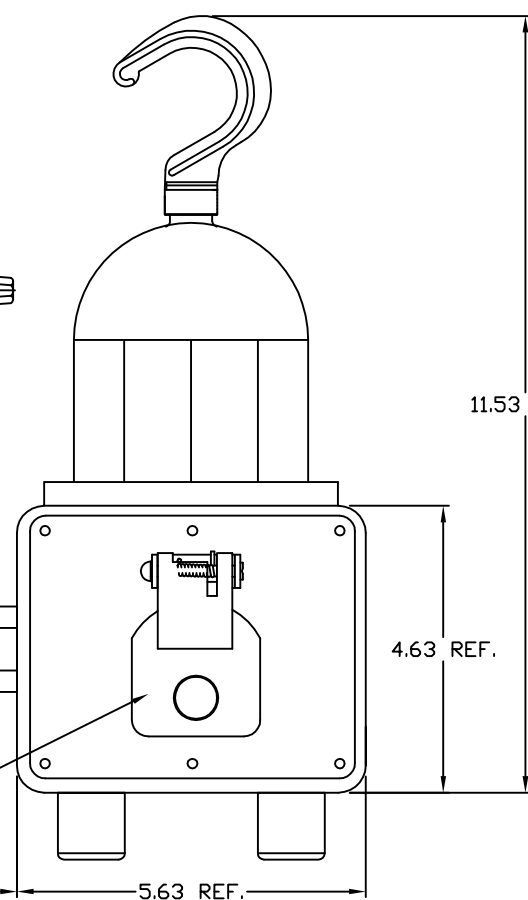
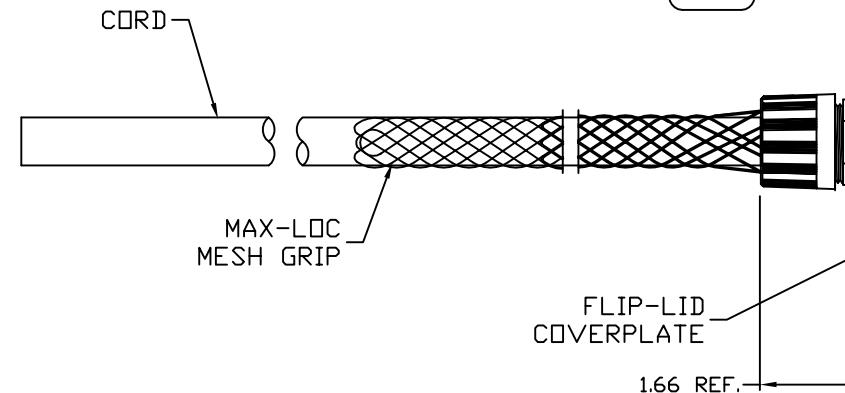
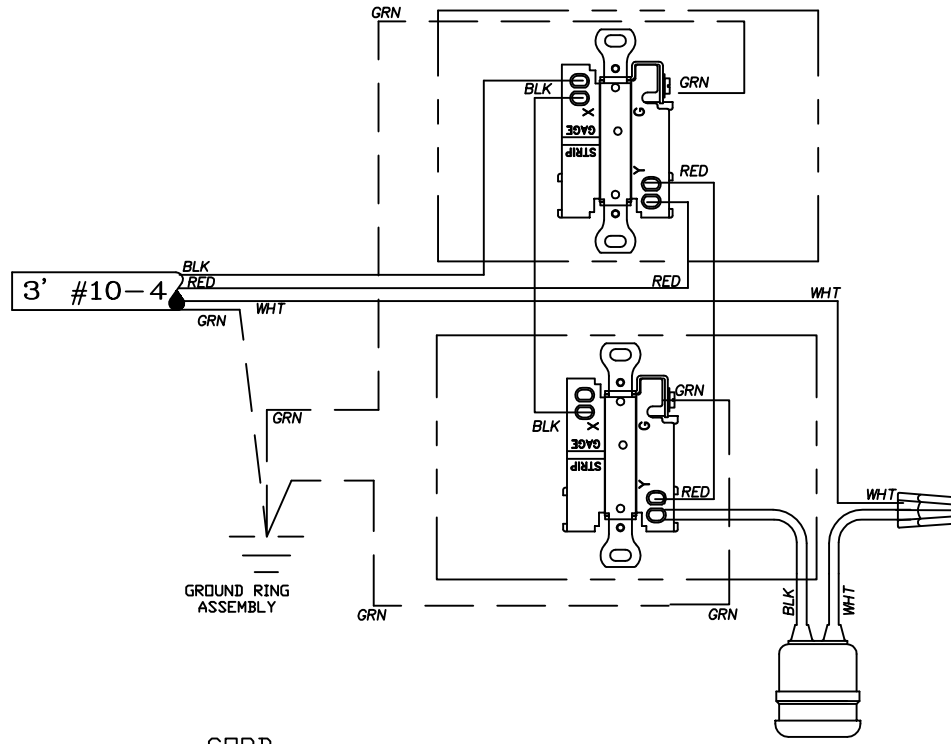
C

B

A



FRONT VIEW OF RECEPTACLE



CUSTOMER APPROVAL EC NO: WNA2008-0385 DRWN: HKNEELAN 2008/06/25 CHKD: JJP 2008/06/26 APPR: JPAWLICK 2008/07/01	QUALITY SYMBOLS ▽=0 ▽/ =0	GENERAL TOLERANCES (UNLESS SPECIFIED)		DIMENSION STYLE INCH		SCALE NTS	DESIGN UNITS INCH	THIRD ANGLE PROJECTION		
			mm	INCH	DRAWN BY	DATE	TITLE			
		4 PLACES	±----	±----	HK	2008/06/26	3290 LIGHTED OUTLET BOX W/3FT. #10-4 CABLE (2)NEMA L6-20R 1PER SIDE			
		3 PLACES	±----	±----	CHECKED BY	DATE	MOLEX INCORPORATED MATERIAL NO. 1301350338 DOCUMENT NO. SD-130135-003 SHEET NO. 1 OF 1			
		2 PLACES	±----	±----	PH	2008/06/26				
1 PLACE	±----	±----	APPROVED BY	DATE						
	ANGULAR ±.5°		MATERIAL NO. 1301350338							
A	DRAFT WHERE APPLICABLE MUST REMAIN WITHIN DIMENSIONS		SIZE A	THIS DRAWING CONTAINS INFORMATION THAT IS PROPRIETARY TO MOLEX INCORPORATED AND SHOULD NOT BE USED WITHOUT WRITTEN PERMISSION						

6 5 4 3 2 1