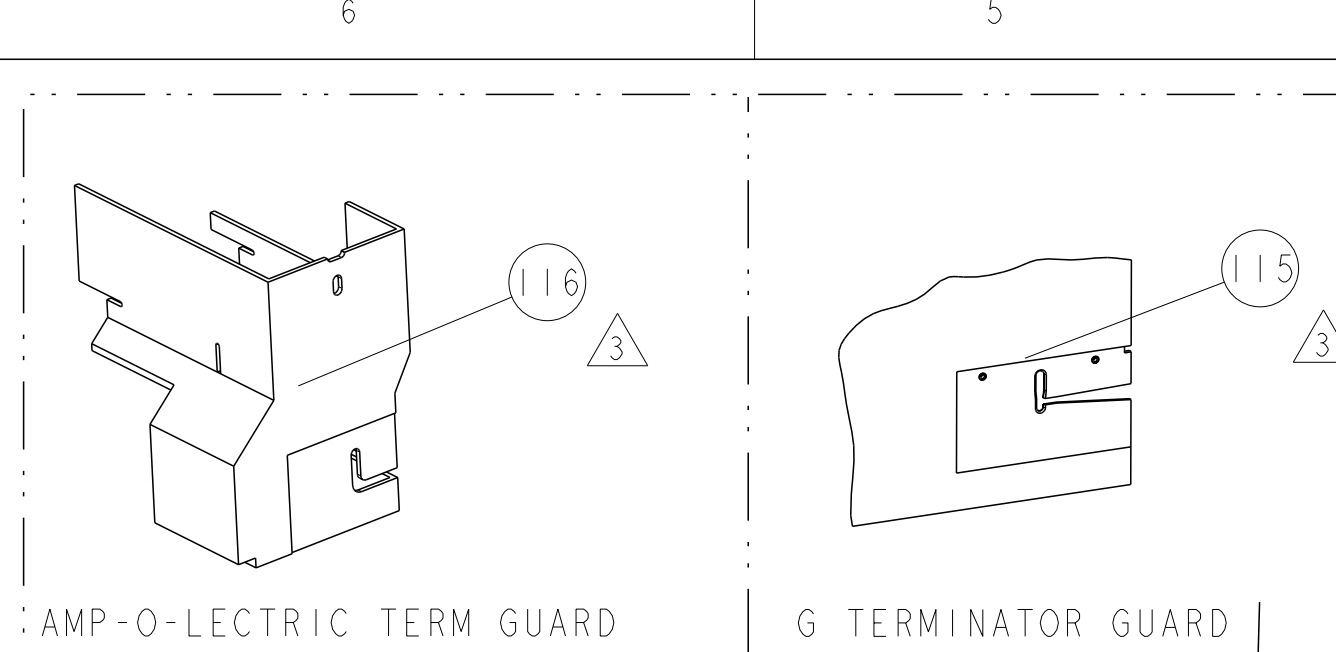


PART NUMBER	REV	FIRST USED	POWER UNIT	FEED TYPE	DESCRIPTION
1852442-1	G	122500-1	LEADMAKER	POST FEED	CUTS CARRIER
1852442-2	G	565435-5	BENCH MODEL K	PRE FEED	CUTS CARRIER
1852442-3	G	354500-1	BENCH MODEL G	PRE FEED	CUTS CARRIER
1852442-6	G	122500-1	LEADMAKER	POST FEED	CONTINUOUS CARRIER
7-1852442-7	G	-	-	-	SPARE PARTS

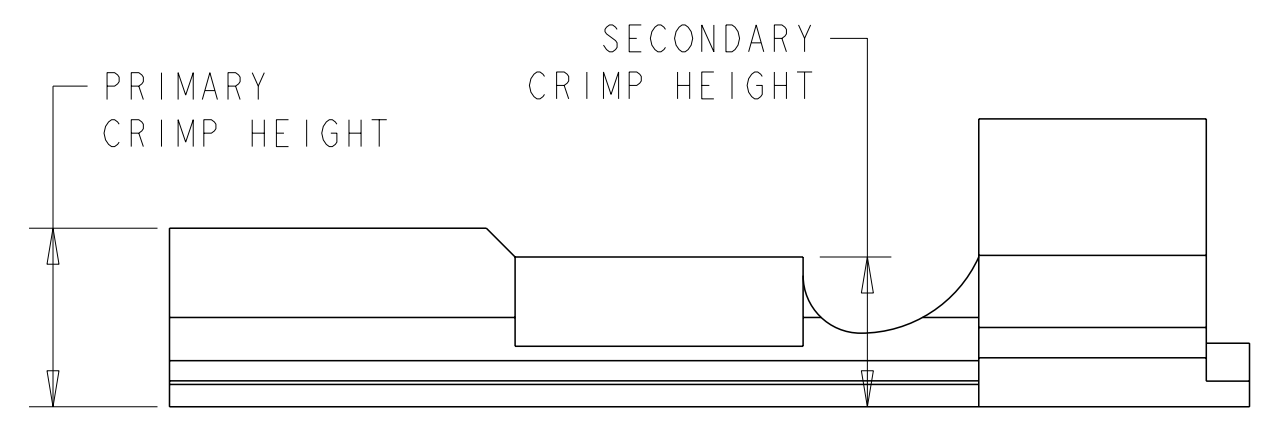
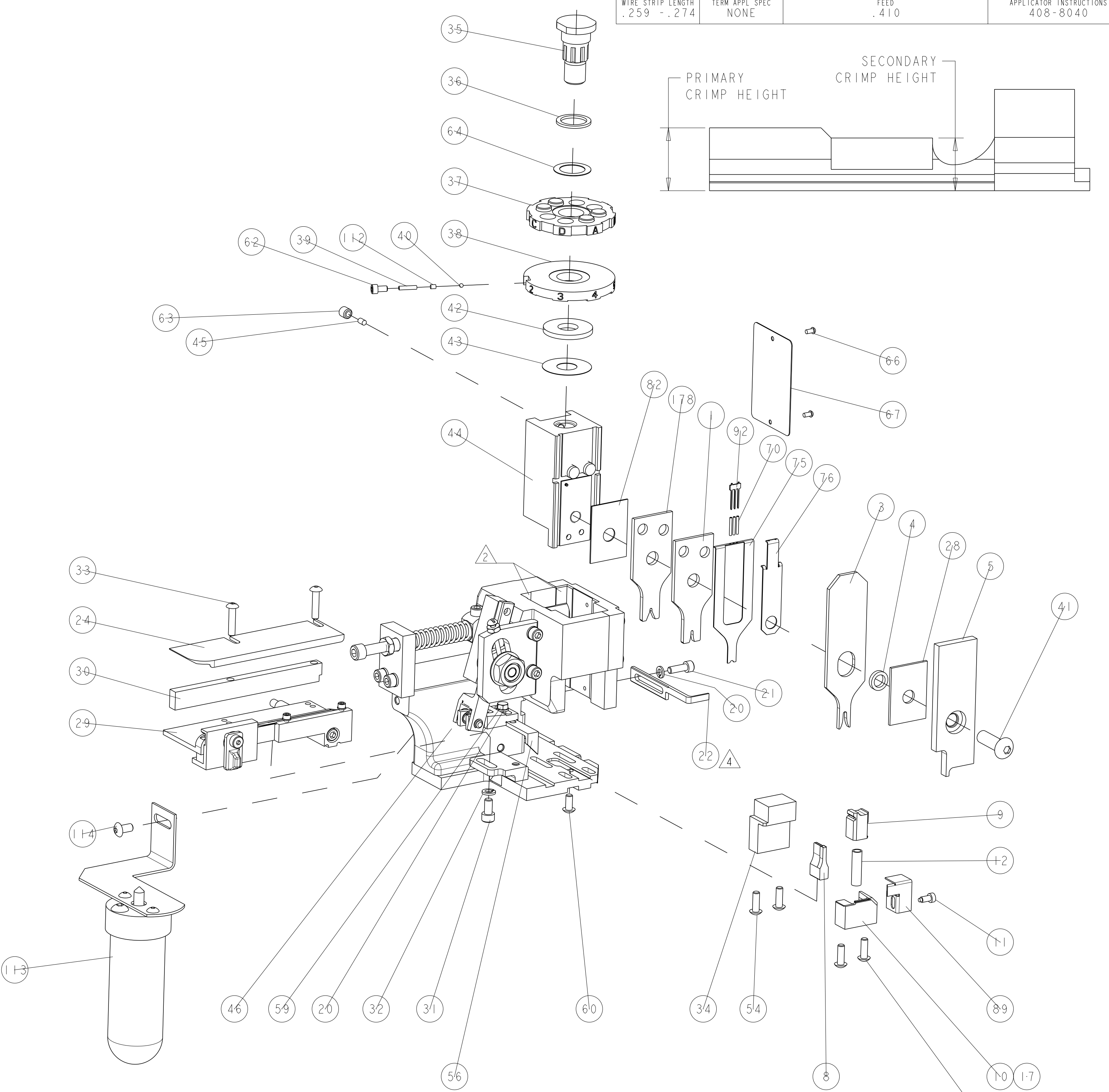
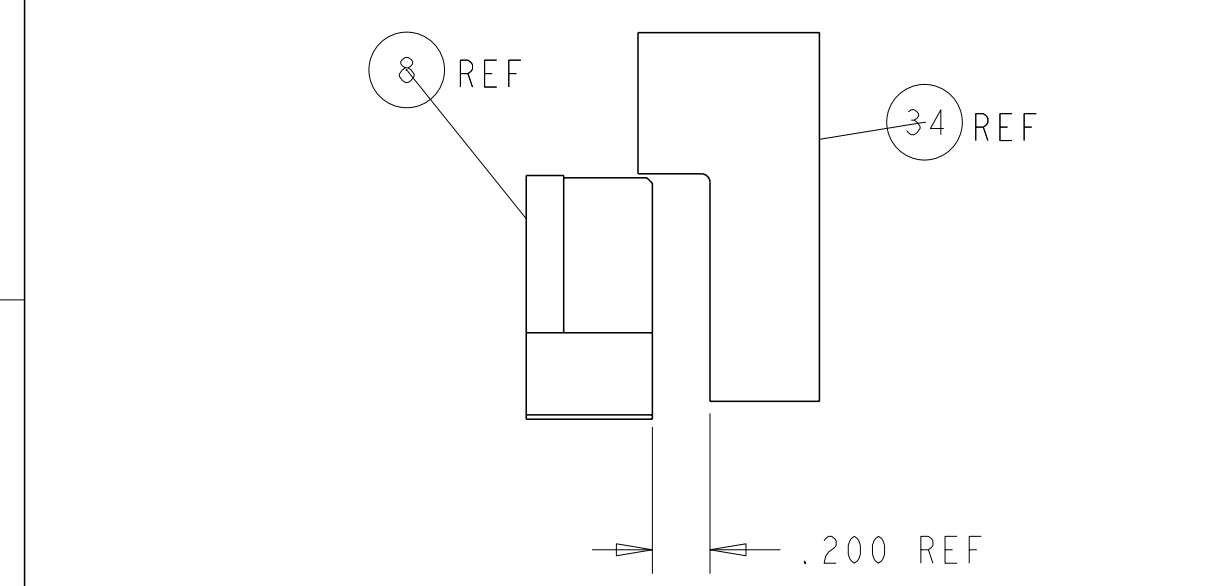
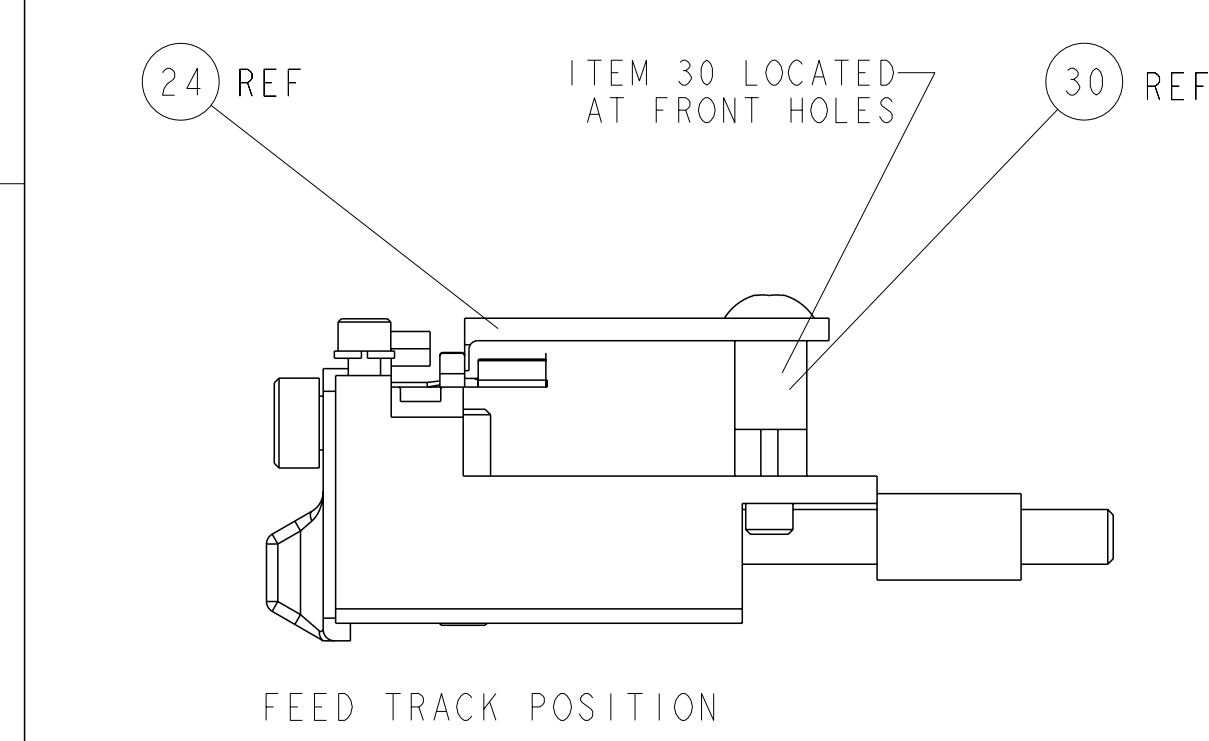
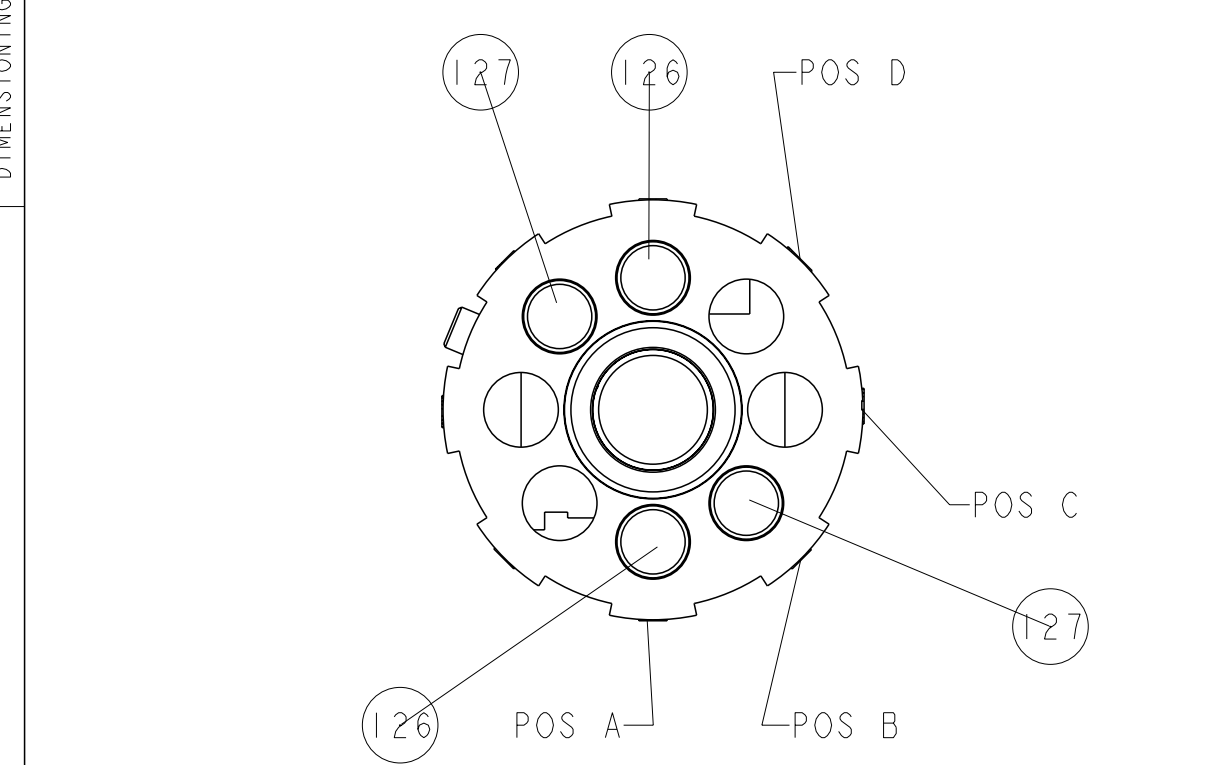


TERMINAL NAME: AMPLIVAR WIRE PIN 500-1400 CMA

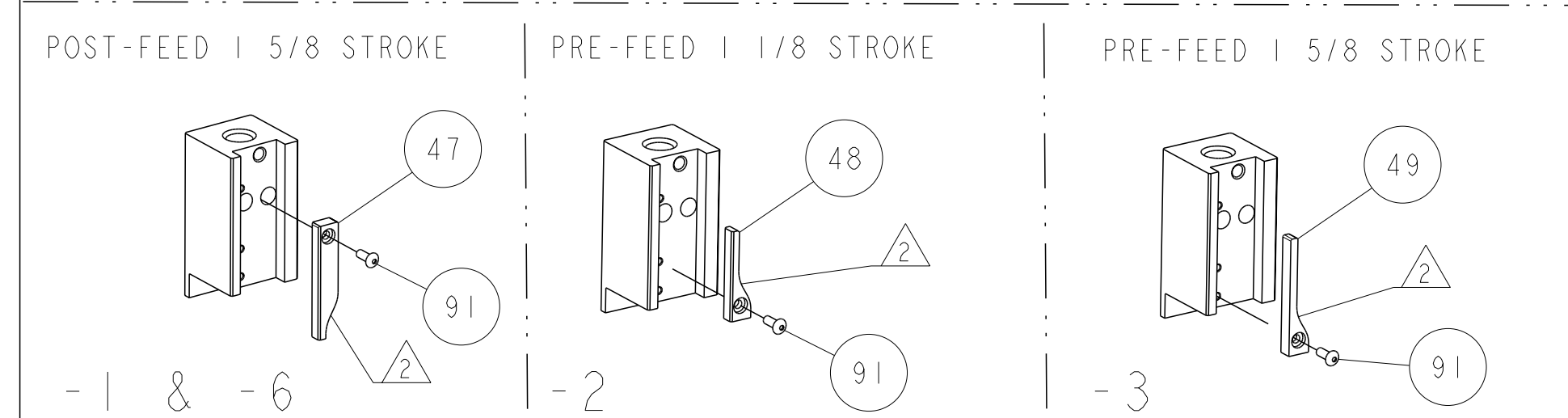
TE PN	TE CRIMP SPECS
1742451	
	PRIMARY CRIMP HEIGHT
	SECONDARY CRIMP HEIGHT
	WIRE SIZE
	CRIMP
	SIZE
	TYPE
	RANGE
	WIRE
	INSUL
WIRE STRIP LENGTH	FEED
TERM APPL SPEC	APPLICATOR INSTRUCTIONS
NONE	408-8040
	SET UP GAGE
	458637-1

LOC	DIST	REV	DESCRIPTION	DATE	BY	APPD
A	66	F	ECR-11-013044	22JUN2011	RK	GB
		G	ECR-11-026055	28DEC2011	BH	BH

- RECOMMENDED SPARE PARTS
- GREASE LIGHTLY
- GUARD MUST BE IN PLACE WHEN OPERATING APPLICATOR IN A BENCH MACHINE
- STRIPPER (ITEM 22) IS LOCATED BETWEEN INSULATION CRIMPER (ITEM 3) AND SHEAR DEPRESSOR (ITEM 5).



QTY	ITEM	DESCRIPTION	ITEM NO
1	1	CRIMPER, WIRE O	178
2	2	PIN, WIRE DISC, .3215	127
2	2	PIN, WIRE DISC, .3120	126
1	REF	GUARD WINDOW	116
1	REF	INSERT, GUARD	115
1	1	SCR, BTN SKT HD CAP 10-32 X .375	114
1	1	LUBRICATOR ASSY	113
1	1	SPRING ASSIST AMP-O-MATOR APPLICATOR	112
1	1	HOLDER, PIN, WIRED	92
1	1	SCR, BTN SKT HD CAP 6-32 X .375	91
1	1	GUARD, FRONT CHIP	89
1	1	SPACER, CRIMPER	82
1	1	DEPRESSOR, SPACER	76
1	1	DEPRESSOR, WIRE	75
1	1	SF APPL INST 408-8040	72
1	1	GENERAL INSTRUCTION PKG	71
3	3	SPRING, COMPRESSION	70
1	1	PLATE, IDENTIFICATION	67
2	2	SCREW, DRIVE	66
1	1	WASHER, FLAT PRECISION	64
1	1	SCR, SET, SELF LOCKING 1/4-20 X .250	63
1	1	SCR, SKT HD CAP 6-32 x .25	62
1	1	SCR, BHSC, SELF-LOCKING, 8-32 X .375	60
1	1	SCR, HEX HD CAP 8-32 X .312	59
1	1	PAWL, FEED	56
4	4	SCR, BTN SKT HD CAP 8-32 X .500	54
1	1	CAM, PRE FEED, 1 5/8	49
1	1	CAM, PRE FEED, 1 1/8	48
1	1	CAM, POST-FEED 1 5/8	47
1	1	APPL. BASIC SUB ASSY (SIDE WISE MQCA)	46
1	1	PLUG, NYLON	45
1	1	RAM, SIDE FEED	44
1	1	SHIM SUB-ASSY	43
1	1	WASHER, RAM (.115)	42
1	1	SCR, BTN SKT HD CAP 5/16-24 X 1.00	41
1	1	BALL, STEEL	40
1	1	SPRING, COMPRESSION	39
1	1	DISC, INSULATION	38
1	1	WIRE DISC, ASSEMBLY	37
1	1	SPRING, COMPRESSION	36
1	1	POST, RAM	35
1	1	STOP, WIRE	34
2	2	SCR, BTN SKT HD CAP 8-32 X .750	33
1	1	WASHER, SPRG LOCK, REG NO 10	32
1	1	SCR, SKT HD CAP 10-32 X .375	31
1	1	SPACER, STRIP GUIDE	30
1	1	ASSEMBLY, STRIP GUIDE	29
1	1	SPACER, CRIMPER	28
1	1	PLATE, STRIP GUIDE	24
1	1	STRIPPER	22
1	1	SCR, SKT HD CAP 8-32 X .500	21
2	2	WASHER, SPRG LOCK, REG NO 8	20
1	1	SHEAR HOLDER, FRONT (NO CUT)	17
1	1	SPRING, COMPRESSION	12
1	1	STOP, SHEAR	11
1	1	SHEAR HOLDER, FRONT	10
1	1	FLOATING SHEAR, FRONT	9
1	1	ANVIL, COMBINATION	8
1	1	DEPRESSOR, SHEAR	5
1	1	BLOCK, CRIMPER SPACER	4
1	1	CRIMPER, INSULATION O PREMIUM	3
1	1		2
1	1	CRIMPER, WIRE O	1



DIMENSIONS: INCHES		TOLERANCES UNLESS OTHERWISE SPECIFIED:	
9 PLC	±.001	1 PLC	±.001
3 PLC	±.001	5 PLC	±.001
4 PLC	±.001	ANGLES	±.0001
FINISH		FINISH	
MATERIAL		MATERIAL	
WEIGHT		WEIGHT	
CUSTOMER ACCESSIBLE PRODUCTION DRAWING		CUSTOMER ACCESSIBLE PRODUCTION DRAWING	